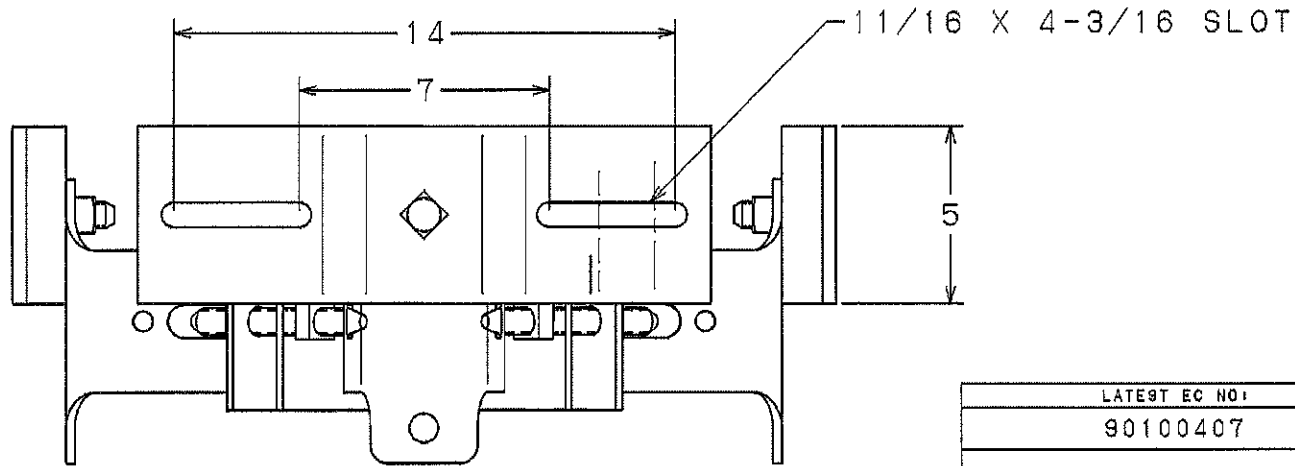


- =NOTES=
1. MATERIAL: GALVANIZED STEEL.
  2. CAT. NO. DENOTES 1-PAIR OF COMPLETE MOUNTING BRACKETS. CAT. NO. HD-3100 IS HEAVY DUTY BRACKET WITH 8 STUDS (PER BRACKET). BRACKETS FIT POLE DIA. OF 6" TO 10-1/2". ALL REQUIRED BOLTS AND NUTS FOR MOUNTING TRANSFORMER TO BRACKET, AS WELL AS INSTRUCTION SHEET, ARE SUPPLIED.



LATEST EC NO:		REV.	DATE	CHANGED BY	RESP ENGINEER
90100407		A	10-18-90	JONES	ODOM
				DO NOT SCALE THIS DWG	THIRD ANGLE PROJECTION
				ISO DUAL DIMENSIONING IN=INCH, MM=MILLIMI	
DRN BY:	DATE	TITLE:			
JONES	10-18-90	TRANSFORMER MT. BRACKET			
		<b>CHANCE</b> <sup>®</sup>		DWG NO: SAHD3100	