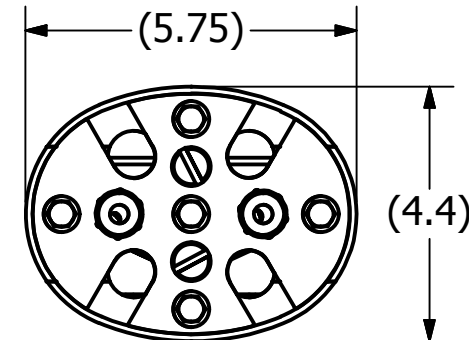
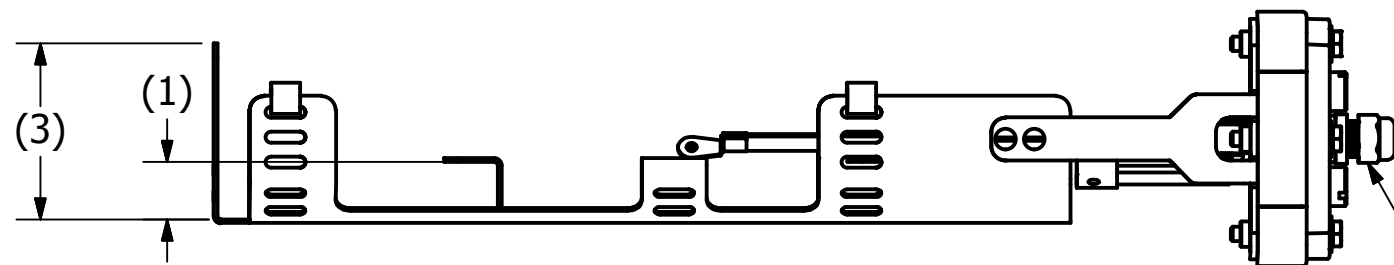
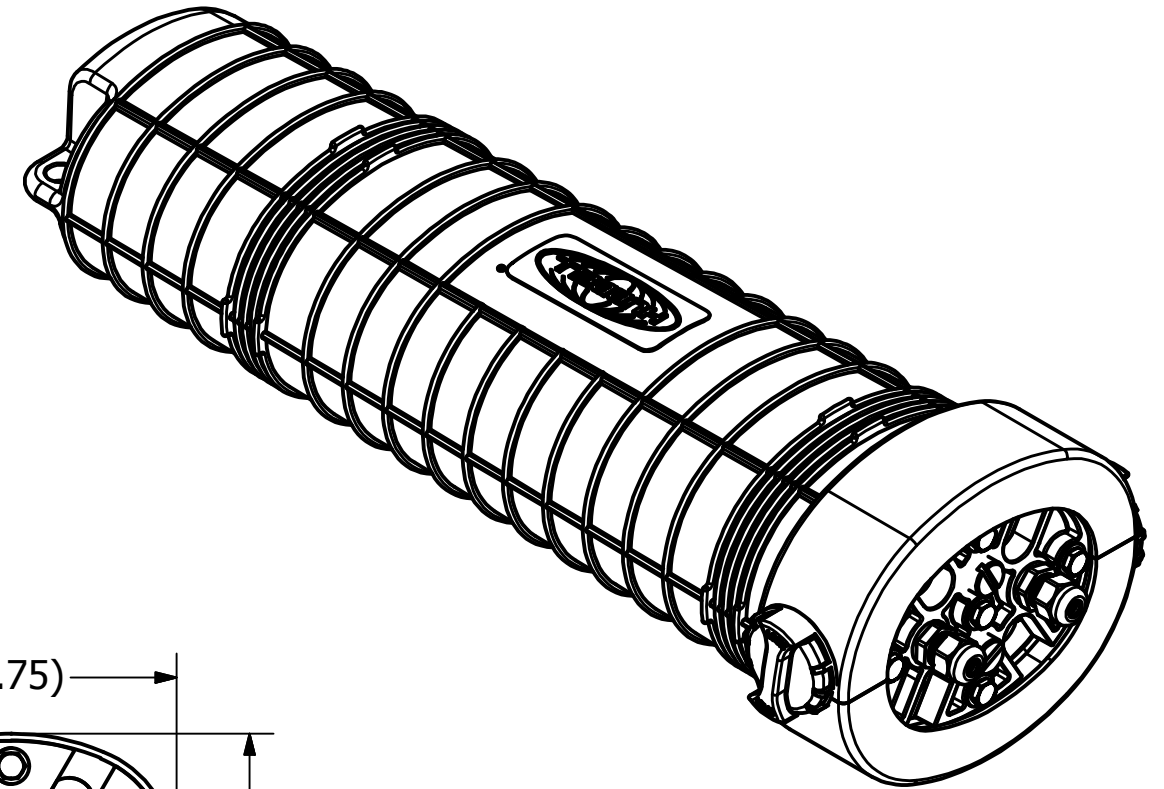
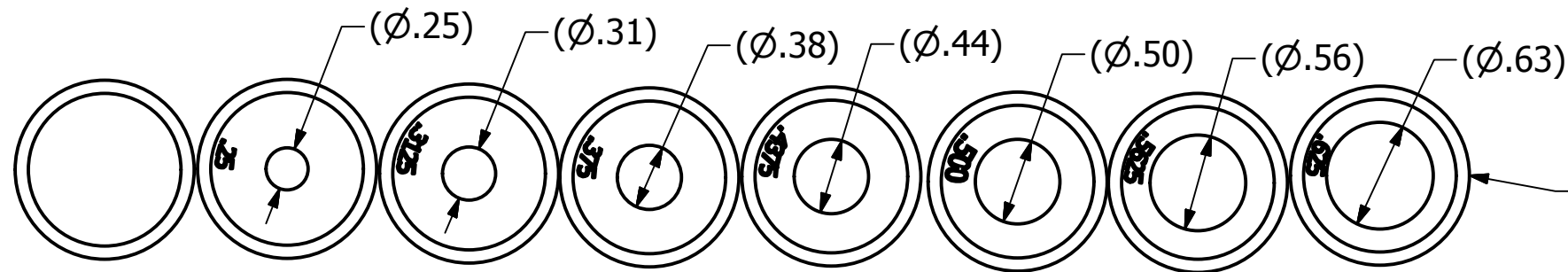


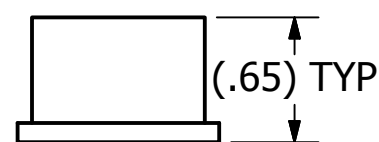
#6 GROUND WIRE



STRAIN RELIEFS FOR GROUNDS



NOTE-1



-NOTES-

1. ALL CLOSURES COME WITH 2 COMPLETE SETS OF GROMMETS.
2. CLOSURE CAN ACCOMMODATE PSC20512, PSC20518 AND PSC20524 TRAYS.
3. CLOSURE COMES WITH 2 ISOLATED GROUNDS. CLOSURE CAN HAVE UP TO 4 ISOLATED GROUNDS

**CHANCE**®



HUBBELL POWER SYSTEMS, INC.

TITLE

350 CLOSURE  
ISOLATED GROUNDS

CONFIDENTIAL: THIS DRAWING AND ITS CONTENTS ARE CONFIDENTIAL AND THE EXCLUSIVE PROPERTY OF HUBBELL POWER SYSTEMS. NO PUBLICATION, DISTRIBUTION, OR COPIES MAY BE MADE WITHOUT THE WRITTEN CONSENT OF HUBBELL POWER SYSTEMS. HUBBELL POWER SYSTEMS UNPUBLISHED ALL RIGHTS RESERVED UNDER THE COPYRIGHT LAWS.

SIZE <b>B</b>	CAT / PART / ASSY NO. <b>PSCI350S</b>	DWG NO. <b>SAI350S</b>	REV <b>A</b>
DO NOT SCALE THIS DRAWING	DRN BY GKT	DATE 6/27/18	SHEET 1 OF 1