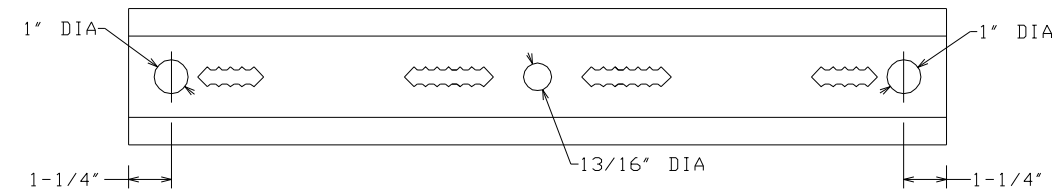
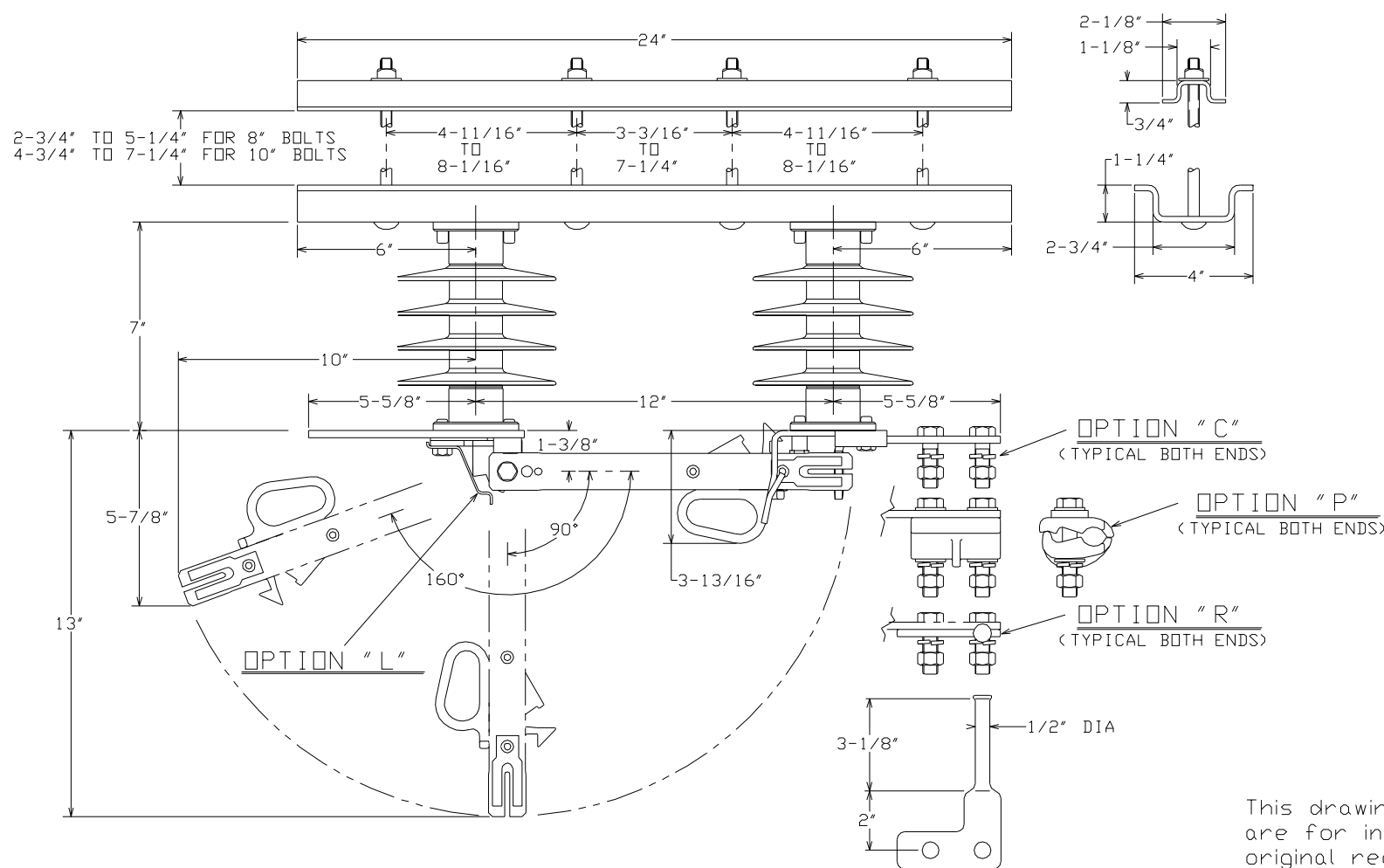


24" BASE "H" FOR 1/2" MOUNTING BOLTS

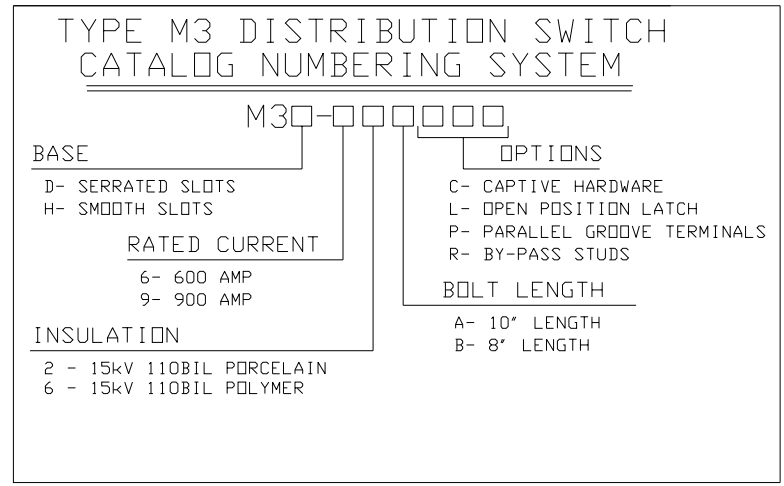


24" BASE "D" FOR 3/8" MOUNTING BOLTS



| SWITCH                         | WEIGHTS (LBS) |        |       | SHIPPING CARTON DIMENSIONS (INCHES) |        |        |
|--------------------------------|---------------|--------|-------|-------------------------------------|--------|--------|
|                                | SWITCH        | CARTON | TOTAL | LENGTH                              | WIDTH  | HEIGHT |
| 15kV, 600 & 900 AMP, PORCELAIN | 29            | 2      | 31    | 24-1/2"                             | 6-1/4" | 14"    |
| 15kV, 600 & 900 AMP, POLYMER   | 21            |        | 23    |                                     |        |        |

WEIGHTS ABOVE ARE FOR 600A, ADDED ONE POUND FOR 900A

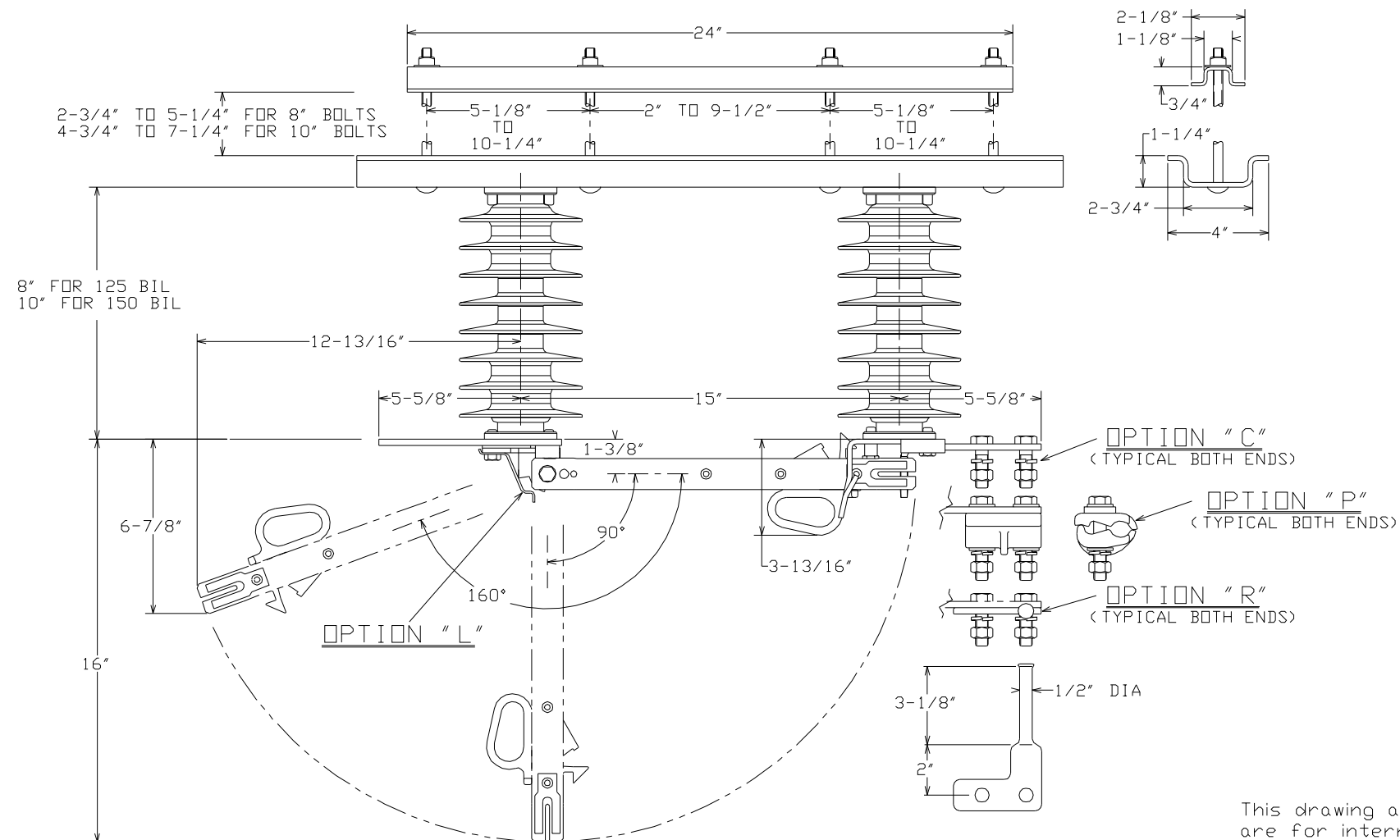
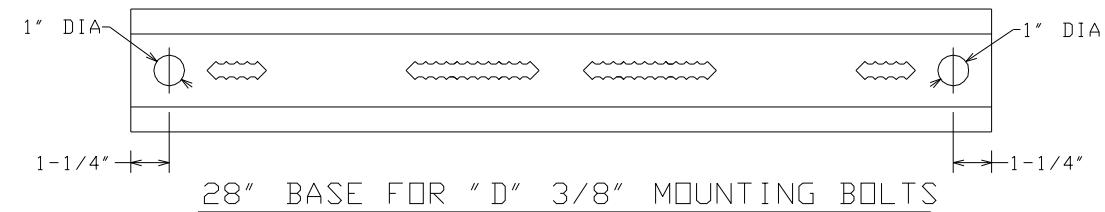
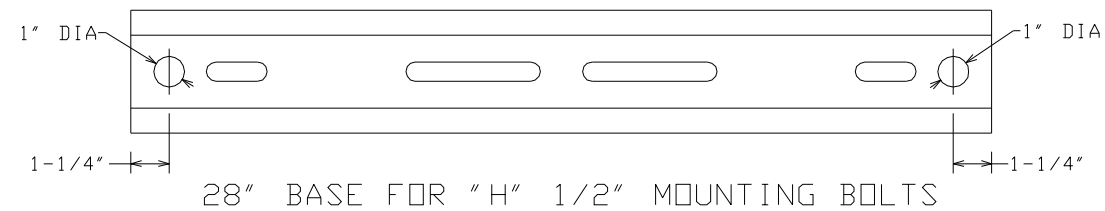


**CONFIDENTIAL**

DISTRIBUTION CLASS  
-15kV, 110 kV BIL, 600 & 900 AMP

This drawing and its contents are for internal use by original recipient only and are not to be distributed outside original recipient's organization without prior written consent of Hubbell Power Systems, Inc.

|  |  |
|--|--|
| CHANCE TOLERANCE CHART<br>EC 71911 DTD 11/09/17  | HUBBELL POWER SYSTEMS<br>POWER SYSTEMS, INC. |
| CONFIDENTIAL: THIS DRAWING AND ITS CONTENTS ARE CONFIDENTIAL AND THE EXCLUSIVE PROPERTY OF HUBBELL POWER SYSTEMS. NO PUBLICATION, DISTRIBUTION OR COPIES MAY BE MADE WITHOUT THE WRITTEN CONSENT OF HUBBELL POWER SYSTEMS. HUBBELL POWER SYSTEMS UNPUBLISHED ALL RIGHTS RESERVED UNDER THE COPYRIGHT LAWS. | TITLE<br>TYPE M3 SWITCH                      |
| SIZE<br>D  | DWG NO.<br>SA-M3D                            |
| DO NOT SCALE THIS DRAWING  | CAT / PART / ASSY NO.<br>SEE CHART           |
| DRN BY ROBERTS   | DATE 08-13-02                                |
|  | SHEET 01 OF 02                               |
|  | REV<br>B                                     |



| SWITCH                          | WEIGHTS (LBS) |        |       | SHIPPING CARTON DIMENSIONS (INCHES) |        |         |
|---------------------------------|---------------|--------|-------|-------------------------------------|--------|---------|
|                                 | SWITCH        | CARTON | TOTAL | LENGTH                              | WIDTH  | HEIGHT  |
| 25kV, 600 & 900 AMP, PORCELAIN  | 44            | 3      | 47    | 28-3/4"                             | 6-1/4" | 16-1/4" |
| 35kV, 600 & 900 AMP, PORCELAIN  | 49            |        | 51    |                                     |        |         |
| 25kV, 600 & 900 AMP, POLYMER    | 26            |        | 29    |                                     |        |         |
| 35kV, 600 & 900 AMP, POLYMER    | 28            |        | 31    |                                     |        |         |
| 35kV, 600 & 900 AMP, POLYMER LL | 29            |        | 32    |                                     |        |         |

WEIGHTS ABOVE ARE FOR 600A, ADDED ONE POUND FOR 900A

**TYPE M3 DISTRIBUTION SWITCH CATALOG NUMBERING SYSTEM**

M3-□□□□□□

**BASE**  
 D- SERRATED SLOTS  
 H- SMOOTH SLOTS

**RATED CURRENT**  
 6- 600 AMP  
 9- 900 AMP

**INSULATION**  
 3 - 25kV 125BIL PORCELAIN  
 4 - 35kV 150BIL PORCELAIN  
 7 - 25kV 125BIL POLYMER  
 8 - 35kV 150BIL POLYMER  
 9 - 35kV 150BIL POLYMER LL

**OPTIONS**  
 C- CAPTIVE HARDWARE  
 L- OPEN POSITION LATCH  
 P- PARALLEL GROOVE TERMINALS  
 R- BY-PASS STUDS

**BOLT LENGTH**  
 A- 10" LENGTH  
 B- 8" LENGTH

**CONFIDENTIAL**

**DISTRIBUTION CLASS**  
 -25kV, 125 KV BIL, 600 & 900 AMP  
 -35kV, 150 KV BIL, 600 & 900 AMP

This drawing and its contents are for internal use by original recipient only and are not to be distributed outside original recipient's organization without prior written consent of Hubbell Power Systems, Inc.

|  |                   |   |                |
|--|-------------------|---|----------------|
| CHANCE <sup>®</sup> TOLERANCE CHART<br>EC 71911 DTD 11/09/17   |                   | HUBBELL <sup>®</sup> POWER SYSTEMS<br>POWER SYSTEMS, INC. |                |
| CONFIDENTIAL: THIS DRAWING AND ITS CONTENTS ARE CONFIDENTIAL AND THE EXCLUSIVE PROPERTY OF HUBBELL POWER SYSTEMS. NO PUBLICATION, DISTRIBUTION OR COPIES MAY BE MADE WITHOUT THE WRITTEN CONSENT OF HUBBELL POWER SYSTEMS. HUBBELL POWER SYSTEMS UNPUBLISHED ALL RIGHTS RESERVED UNDER THE COPYRIGHT LAWS. |                   | TITLE<br>TYPE M3 SWITCH                                   |                |
| SIZE<br>D  | DWG NO.<br>SA-M3D | CAT / PART / ASSY NO.<br>SEE CHART                        | REV<br>B       |
| DO NOT SCALE THIS DRAWING  | DRN BY ROBERTS    | DATE 08-13-02   | SHEET 02 OF 02 |