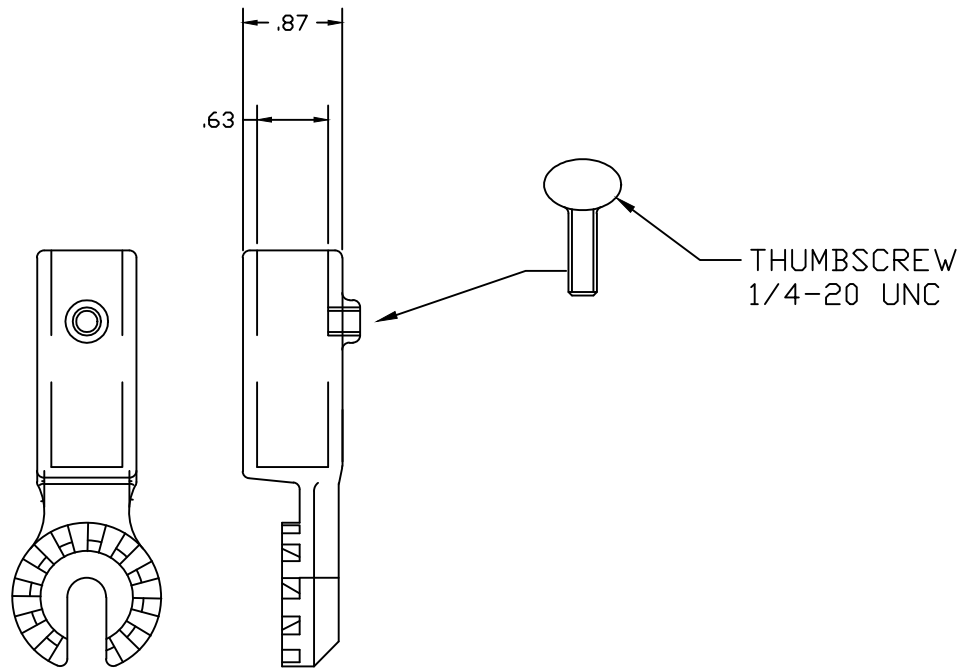



CHUCK BLANK (5/8" OPENING)

USED FOR A VARIETY OF APPLICATION,
SUCH AS INSERTING SCREW DRIVERS,
SAWS, ETC. THE WING NUT/THUMBSCREW
TIGHTENS THE INSTALLED TOOL.

WEIGHT: 5 oz.



<small>CONFIDENTIAL: THIS DRAWING AND ITS CONTENTS ARE CONFIDENTIAL AND THE EXCLUSIVE PROPERTY OF HUBBELL POWER SYSTEMS. NO PUBLICATION, DISTRIBUTION OR COPIES MAY BE MADE WITHOUT THE WRITTEN CONSENT OF HUBBELL POWER SYSTEMS. HUBBELL POWER SYSTEMS UNPUBLISHED ALL RIGHTS RESERVED UNDER THE COPYRIGHT LAWS.</small>		 HUBBELL POWER SYSTEMS <small>POWER SYSTEMS, INC.</small>	
		TITLE UNIVERSAL CHUCK BLANK	
SIZE B	DWG NO. SAM4455-37	CAT / PART / ASSY NO. M4455-37	REV --
DO NOT SCALE THIS DRAWING	DRN BY RAM	DATE 5/30/14	SHEET 1/1