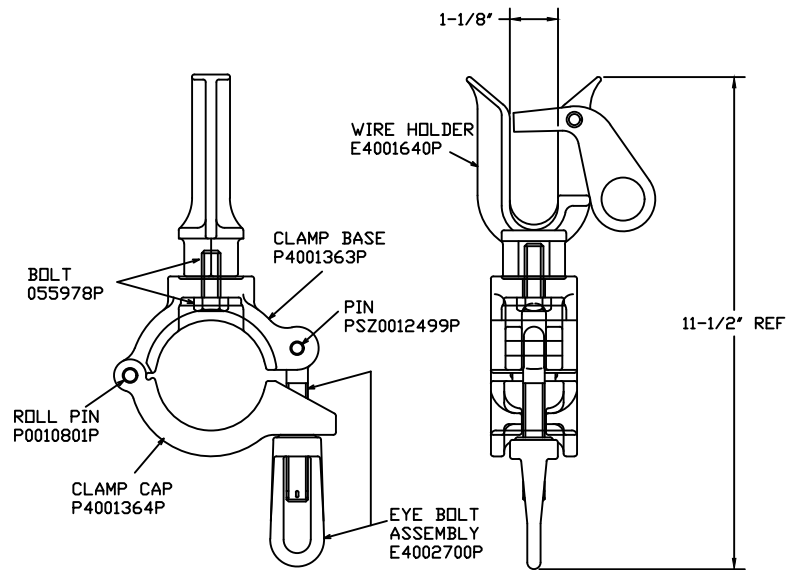


M480515  
FITS 2-1/2' POLE



M480517  
FITS 2-1/2' POLE  
NO INSULATOR

CHANCE  
TOLERANCE CHART

CONFIDENTIAL: THIS DRAWING AND ITS CONTENTS ARE CONFIDENTIAL AND THE EXCLUSIVE PROPERTY OF HUBBELL POWER SYSTEMS. NO PUBLICATION, DISTRIBUTION OR COPIES MAY BE MADE WITHOUT THE WRITTEN CONSENT OF HUBBELL POWER SYSTEMS. HUBBELL POWER SYSTEMS UNPUBLISHED ALL RIGHTS RESERVED UNDER THE COPYRIGHT LAWS.



HUBBELL® POWER SYSTEMS

TITLE  
AUXILIARY  
WIREHOLDER

SIZE	DWG NO.	CAT / PART / ASSY NO.	REV
C	SAM480515	SEE DWG	A
DO NOT SCALE THIS DRAWING		DRN BY RAM	DATE 1/26/17
			SHEET 1 OF 1