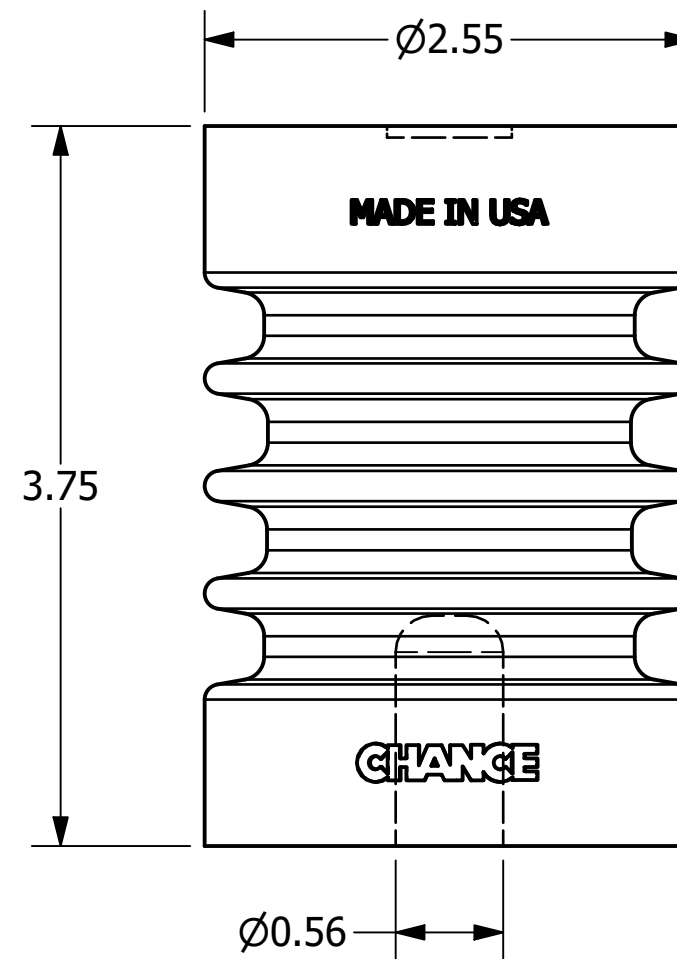
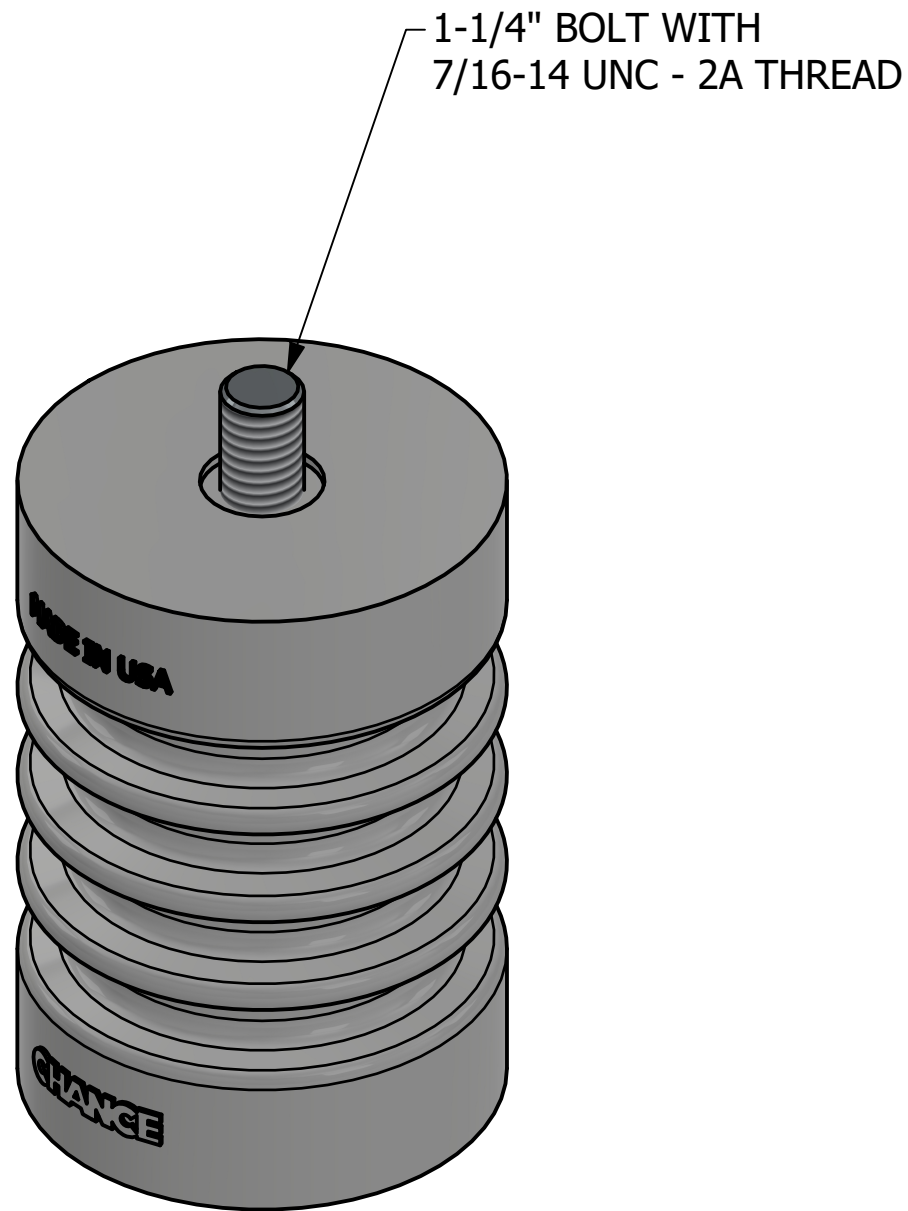


-NOTES-

1. AVAILABLE AS SEPERATE ITEM OR CAN BE ADDED TO EXISTING AUXILIARY ARM WIREHOLDERS TO UPGRADE FOR 34.5 KV USE.
2. WEIGHT: 2 LB.



CHANCE [®]		HUBBELL [®] HUBBELL POWER SYSTEMS, INC.	
CONFIDENTIAL: THIS DRAWING AND ITS CONTENTS ARE CONFIDENTIAL AND THE EXCLUSIVE PROPERTY OF HUBBELL POWER SYSTEMS. NO PUBLICATION, DISTRIBUTION, OR COPIES MAY BE MADE WITHOUT THE WRITTEN CONSENT OF HUBBELL POWER SYSTEMS. HUBBELL POWER SYSTEMS UNPUBLISHED ALL RIGHTS RESERVED UNDER THE COPYRIGHT LAWS.		TITLE INSULATOR	
SIZE B	CAT / PART / ASSY NO. M4805-7	DWG NO. SA4805-7	REV A
DO NOT SCALE THIS DRAWING	DRN BY IMJ	DATE 10/6/2023	SHEET 1 OF 1