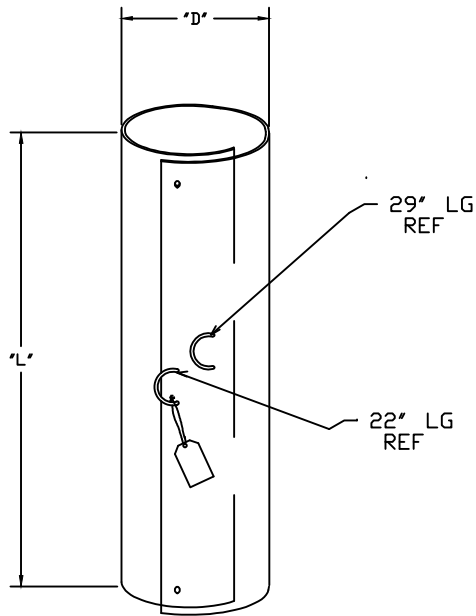
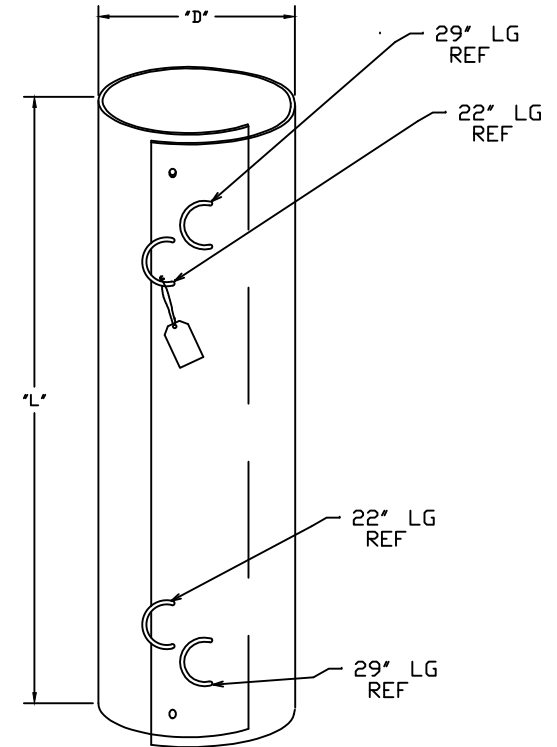


SINGLE HANDLE



CAT. NO.	ROPE LENGTH±2"	HANDLE STYLE	'L'	'D'
M4937-1	22' (1 TOTAL) 29' (1 TOTAL)	SINGLE HANDLE	12"	9"
M4937-2	22' (1 TOTAL) 29' (1 TOTAL)	SINGLE HANDLE	24"	9"
M4937-4	22' (1 TOTAL) 29' (1 TOTAL)	SINGLE HANDLE	48"	9"
M4937-6	22' (2 TOTAL) 29' (2 TOTAL)	DOUBLE HANDLE	72"	9"
C406-0029	22' (1 TOTAL) 29' (1 TOTAL)	SINGLE HANDLE	24"	12"
C406-0030	22' (1 TOTAL) 29' (1 TOTAL)	SINGLE HANDLE	48"	12"
C406-0000	22' (2 TOTAL) 29' (2 TOTAL)	DOUBLE HANDLE	72"	12"
T406-0145	22' (2 TOTAL) 29' (2 TOTAL)	DOUBLE HANDLE	72"	9"
T406-0146	22' (2 TOTAL) 29' (2 TOTAL)	DOUBLE HANDLE	72"	12"
C406-0550	22' (1 TOTAL) 29' (1 TOTAL)	SINGLE HANDLE	48"	6"
C406-0551	22' (2 TOTAL) 29' (2 TOTAL)	DOUBLE HANDLE	72"	6"

DOUBLE HANDLE



--GENERAL NOTES--

TESTED TO ASTM F712

MEET CLASS 4 REQUIREMENTS

BUTTON-NUT KIT: T4060214 (CONNECTS TWO COVERS)

<small>CONFIDENTIAL: THIS DRAWING AND ITS CONTENTS ARE CONFIDENTIAL AND THE EXCLUSIVE PROPERTY OF HUBBELL POWER SYSTEMS. NO PUBLICATION, DISTRIBUTION OR COPIES MAY BE MADE WITHOUT THE WRITTEN CONSENT OF HUBBELL POWER SYSTEMS. HUBBELL POWER SYSTEMS UNPUBLISHED. ALL RIGHTS RESERVED UNDER THE COPYRIGHT LAWS.</small>		HUBBELL POWER SYSTEMS COVER, POLE	
		TITLE C SAM49376	CAT / PART / ASSY NO. SEE CHART
SIZE DO NOT SCALE THIS DRAWING	DWG NO. SAM49376	DRN BY RAM DATE 4/22/14	SHEET 1 OF 1