

| POSITION 7 & 8 FUSE HOLDER | | | | | |
|----------------------------|--------|------|----------|----------------|---------------|
| POSITION 7&8 | KV MAX | AMPS | AIC ASYM | "L" | ARC ROD |
| 11 | 27 | 100 | 8,000 | 14.97 (380 MM) | NONE |
| 13 | 27 | 100 | 12,000 | 15.06 (383 MM) | 4.50 (114 MM) |
| 42 | 27 | 200 | 10,000 | 15.06 (383 MM) | 4.50 (114 MM) |
| 43 | 27 | 200 | 12,000 | 15.06 (383 MM) | 4.50 (114 MM) |
| 33 | 27 | 300 | 12,000 | 15.06 (383 MM) | NONE |
| MM | - | - | - | - | - |

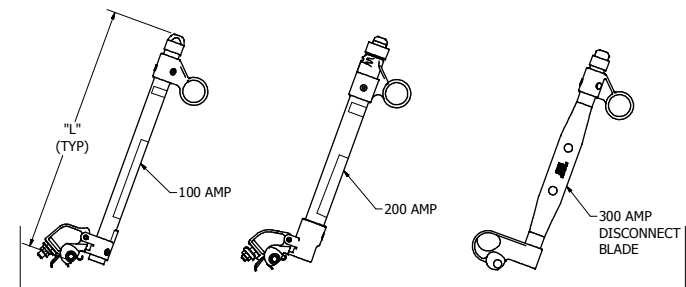
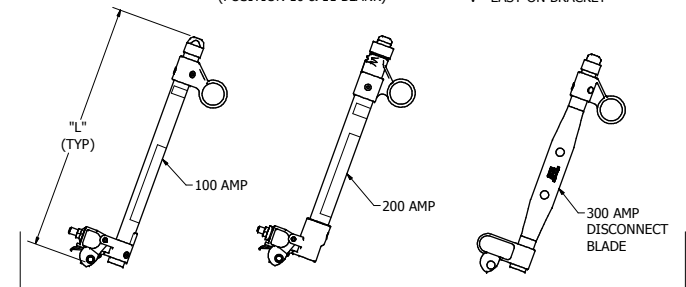
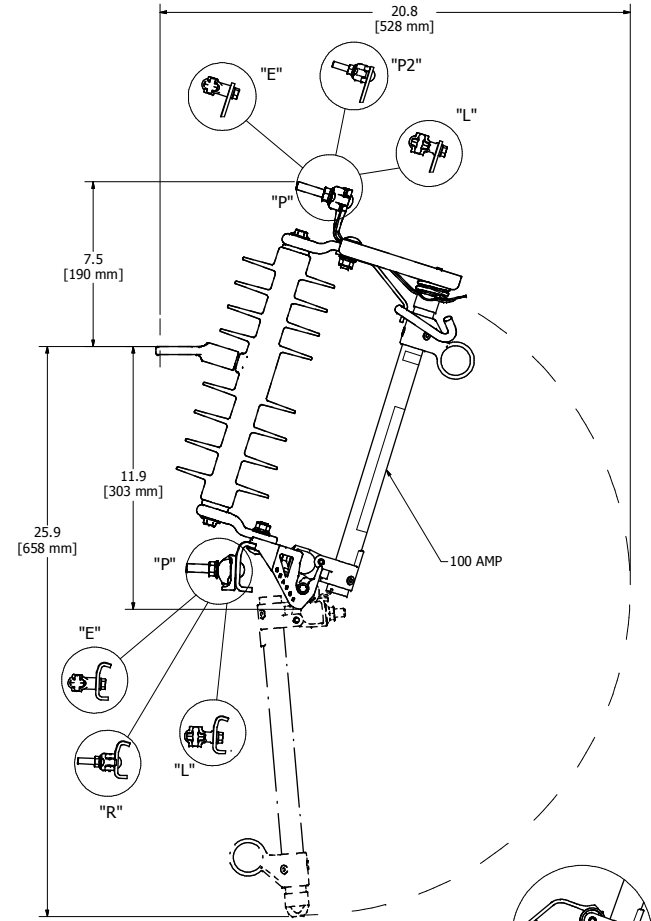
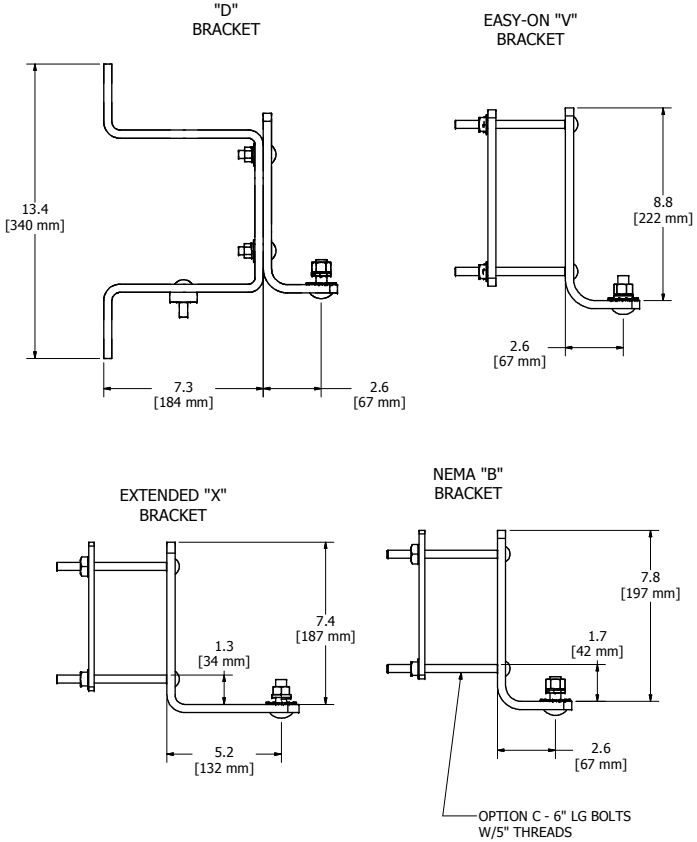
CATALOG NUMBERING SYSTEM

POSITION

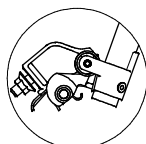
1 2 3 4 5 6 7 8 9 10 11 12 13

CP 7 1 0 - 2
TP

- POSITION 6 INSULATION (125KV BIL)
- POSITIONS 7 & 8 FUSEHOLDER (SEE TABLE)
- POSITION 9 TERMINAL
P - PG CLAMPS
E - SMALL EYEBOLT
L - LARGE EYEBOLT
T - FUSEHOLDER ONLY (POSITION 10 & 11 BLANK)
- POSITION 10 MOUNTING BRACKET
BLANK OR Z - NO BRACKET
B - NEMA "B" BRACKET W/ 5" LG BOLTS
C - NEMA "B" BRACKET W/ 6" LG BOLTS
X - EXTENDED BRACKET
D - "D" BRACKET
V - EASY-ON BRACKET
- POSITION 11-13 SPECIAL OPTIONS
BLANK - NO OPTION
F - WILDLIFE PROTECTOR
K - TRUNNION W/ KEYHOLE
M - MECHANICAL ASSIST FUSEHOLDER
S - STAINLESS STEEL



DIMENSION ARE APPROXIMATE AND FOR REFERENCE ONLY



| | | | |
|--|---------------------|---|------------------------------|
| CHANCE EC: 69998 SR DATE: 06-07-17 | | HUBBELL POWER SYSTEMS, INC. HUBBELL POWER SYSTEMS | |
| CONFIDENTIAL: THIS DRAWING AND ITS CONTENTS ARE CONFIDENTIAL AND THE EXCLUSIVE PROPERTY OF HUBBELL POWER SYSTEMS. NO PUBLICATION, DISTRIBUTION OR COPIES MAY BE MADE WITHOUT THE WRITTEN CONSENT OF HUBBELL POWER SYSTEMS. | | TITLE CUTOUT, 27KV 125 BIL POLYMER | |
| SIZE D | DWG NO. SAP710-2 | CAT / PART / ASSY NO. CP710-2 | REV C |
| DO NOT SCALE THIS DRAWING | | DRN BY COCHRAN | DATE 08-21-13 SHEET 01 OF 01 |