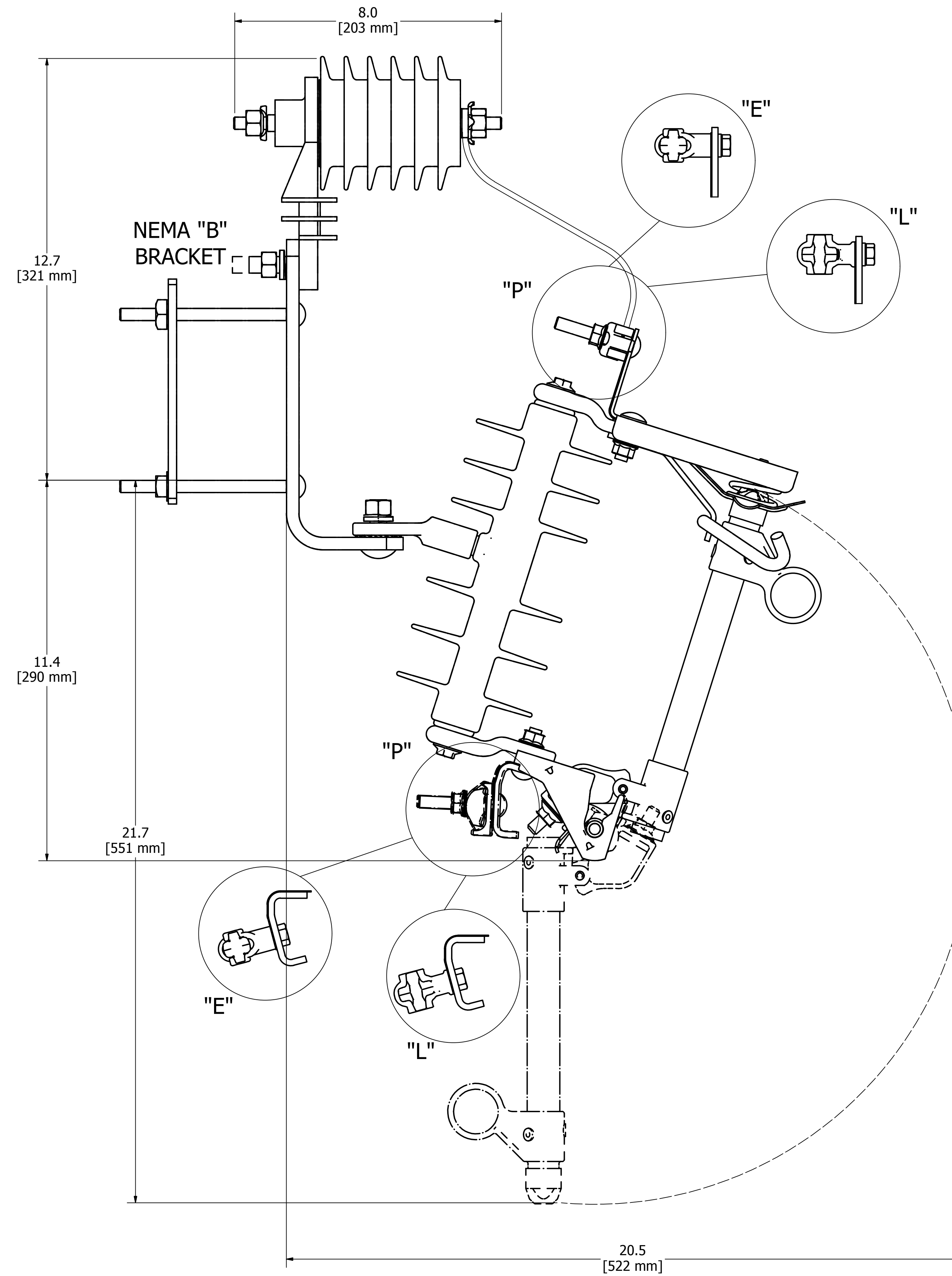


POLYMER ARRESTER				
BRAND	BLOCK	TYPE	KV	POSITION 4 & 5
OB	SMALL	MOV	9	DL
OB	SMALL	MOV	10	DM
OB	LARGE	MOV	9	EL
OB	LARGE	MOV	10	EM
OB	RISER	MOV	9	FL
OB	RISER	MOV	10	FM

OB = OHIE BRASS
MOV = METAL OXIDE VARISTER



CATALOG NUMBERING SYSTEM

POSITION

1 2 3 4 5 6 7 8 9 10 11 12 13

CP 7 1 1

TP

POSITION 4 & 5
ARRESTER
(SEE CHART)

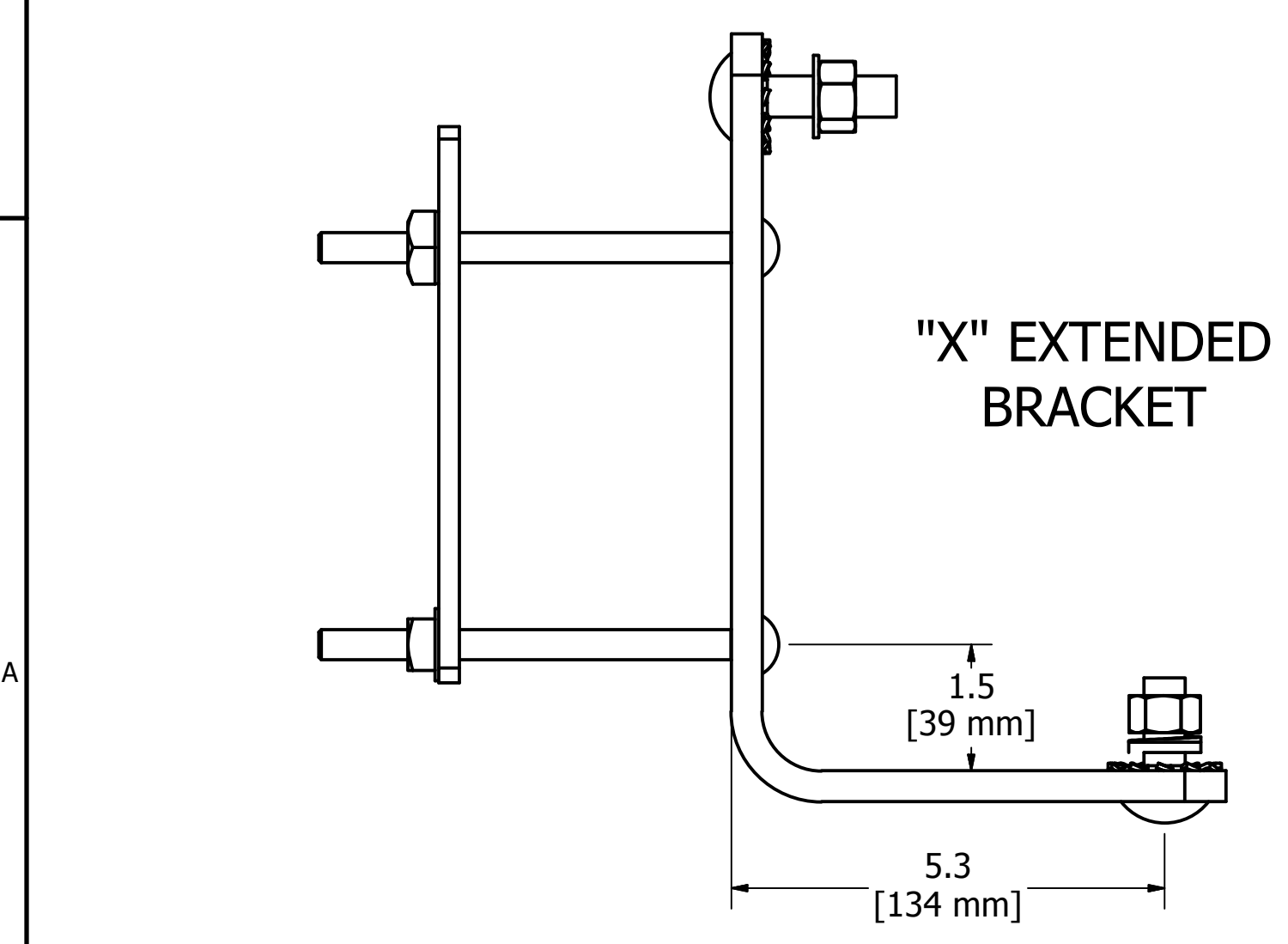
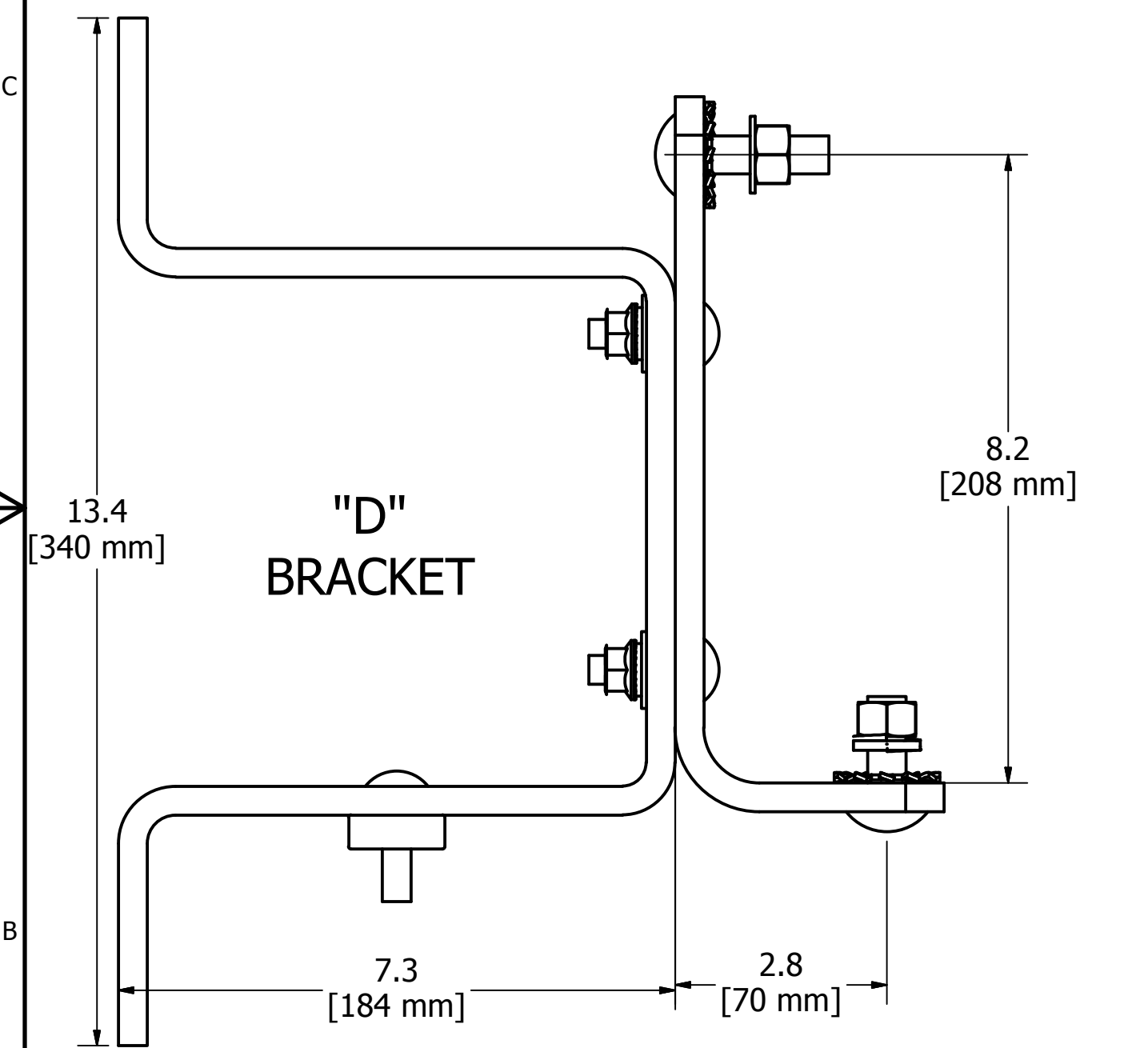
POSITION 7&8
FUSEHOLDER

POSITION 7 & 8	A	B	C
12	15	100	10,000
14	15	100	16,000
43	15	200	12,000
33	15	300	12,000
MM	--	---	-----

POSITION 11 - 13
SPECIAL OPTIONS
BLANK - NO OPTION
D - RATING LABEL
F - WILDLIFE PROTECTOR
M - MECHANICAL ASSIST
FUSEHOLDER
S - STAINLESS STEEL

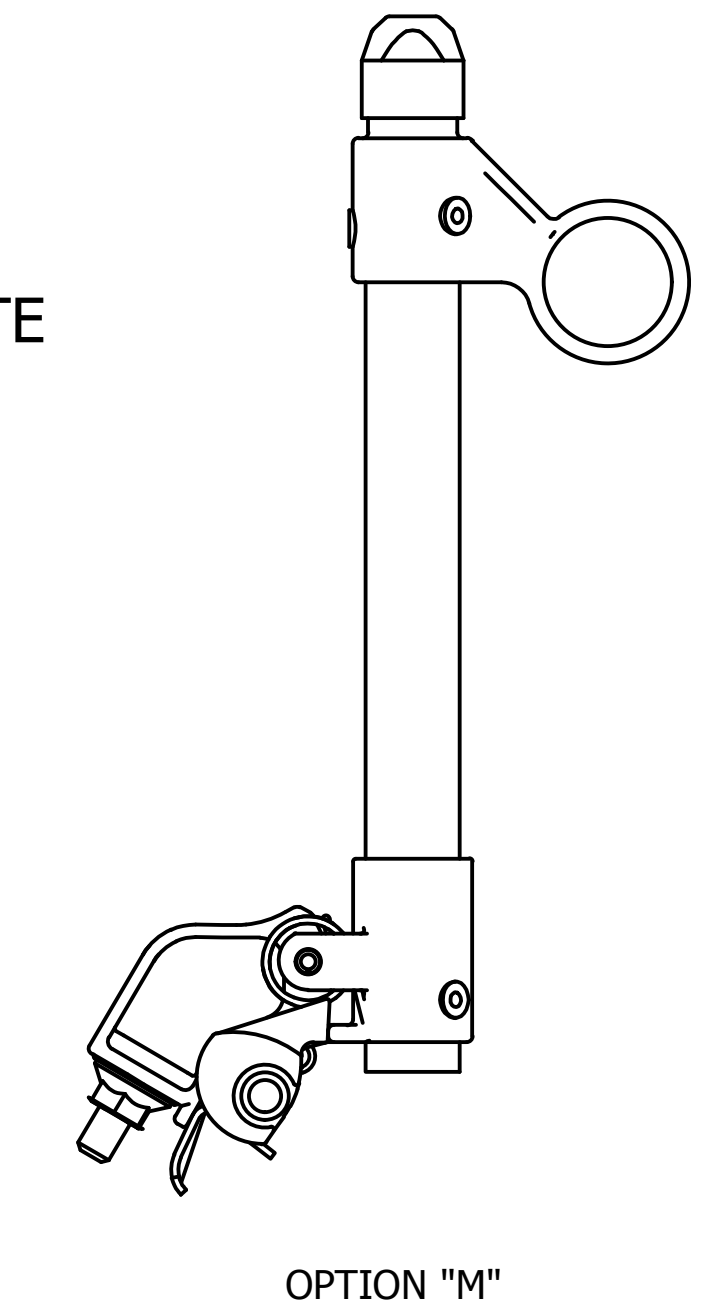
POSITION 10
MOUNTING BRACKET
BLANK OR Z - NO BRACKET
B - NEMA "B" BRACKET
X - EXTENDED BRACKET
D - "D" BRACKET

POSITION 9
TERMINAL OPTIONS
P - PG CLAMPS (TIN PLATING)
E - SMALL EYEBOLT TERMINALS
L - LARGE EYEBOLT TERMINALS



DIMENSIONS ARE APPROXIMATE
AND FOR REFERENCE ONLY

POLYMER BODY ARRESTERS



CHANCE EC: 51845 DATE: 08-23-13		HUBBELL POWER SYSTEMS POWER SYSTEMS, INC.	
CONFIDENTIAL: THIS DRAWING AND ITS CONTENTS ARE CONFIDENTIAL AND THE EXCLUSIVE PROPERTY OF HUBBELL POWER SYSTEMS. NO PUBLICATION, DISTRIBUTION OR COPIES MAY BE MADE WITHOUT THE WRITTEN CONSENT OF HUBBELL POWER SYSTEMS. HUBBELL POWER SYSTEMS UNPUBLISHED ALL RIGHTS RESERVED UNDER THE COPYRIGHT LAWS.			
TITLE CUTOUT, ARRESTER 15 KV POLYMER		SIZE D	REV B
DWG NO. SAP71DL1	CAT / PART / ASSY NO. SEE CHART	DO NOT SCALE THIS DRAWING	DRN BY COCHRAN DATE 03-22-13 SHEET 01 OF 01