

# CATALOG NUMBERING SYSTEM

POSITION

1 2 3 4 5 6 7 8 9 10 11 12 13  
**CP 7 2 0 - 1**  
**TP**

POSITION 7 & 8 FUSE HOLDER					
POSITION 7	KV MAX	AMPS	AIC ASYM	INDUCTIVE LDBK RA	CAPACITIVE LDBK RA
12	15	100	10,000	100	100
14	15	100	16,000	100	100

FOR MOUNTING ONLY

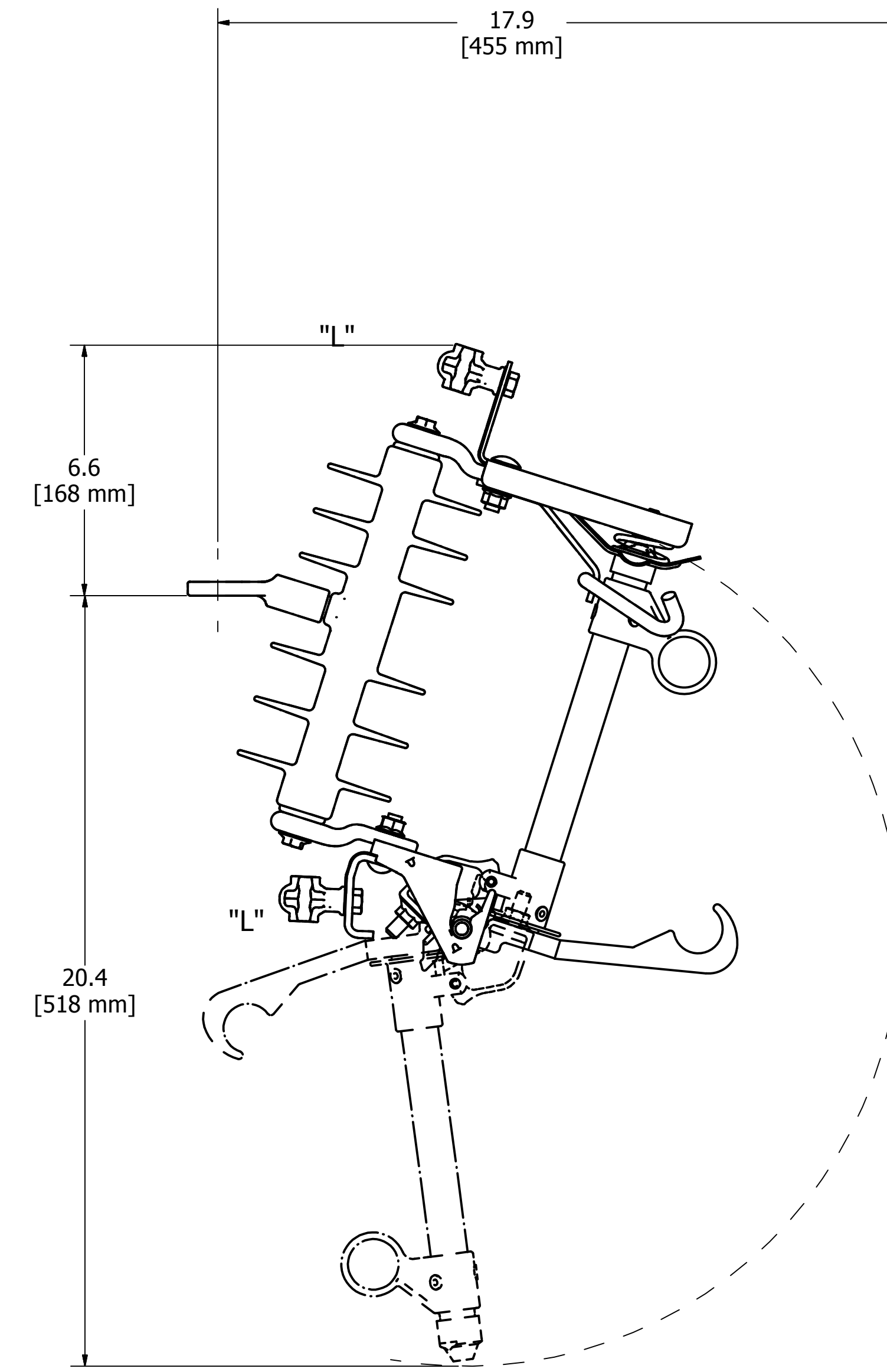
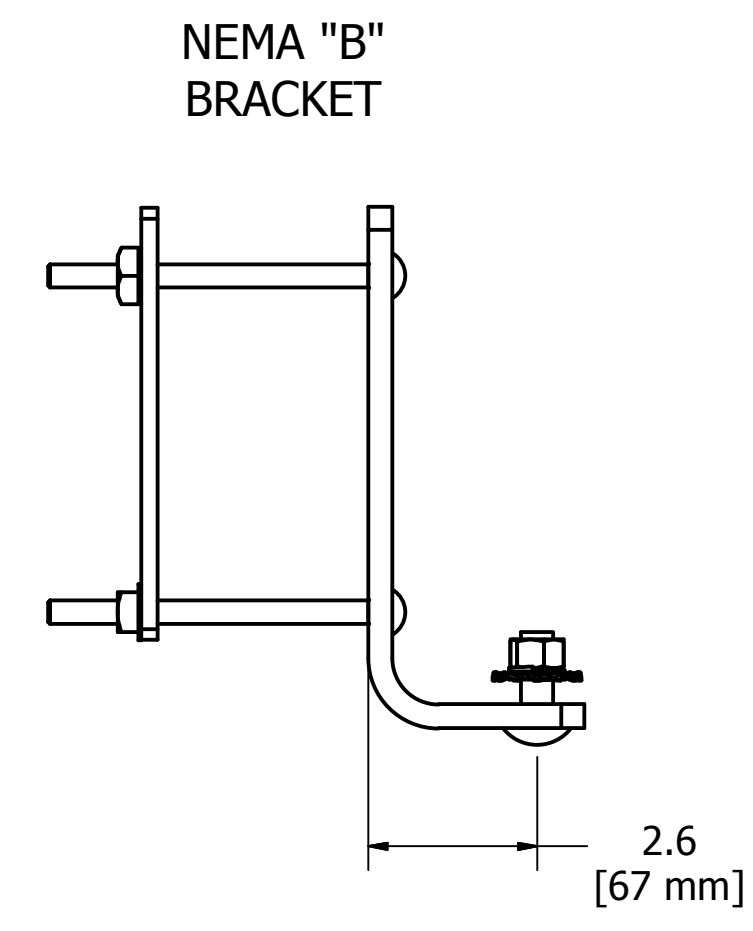
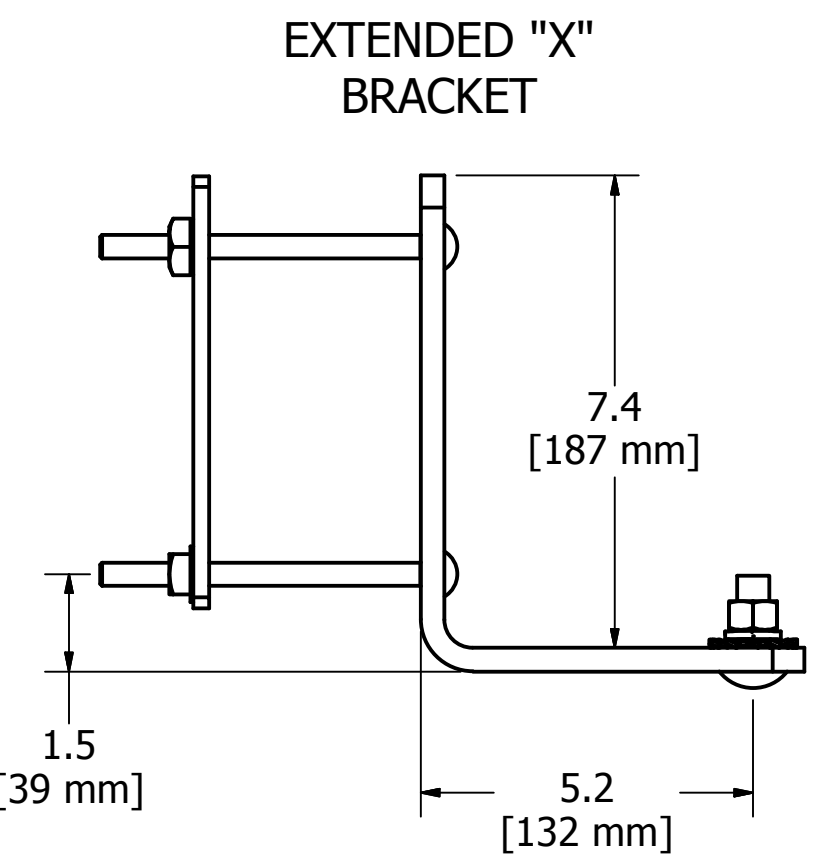
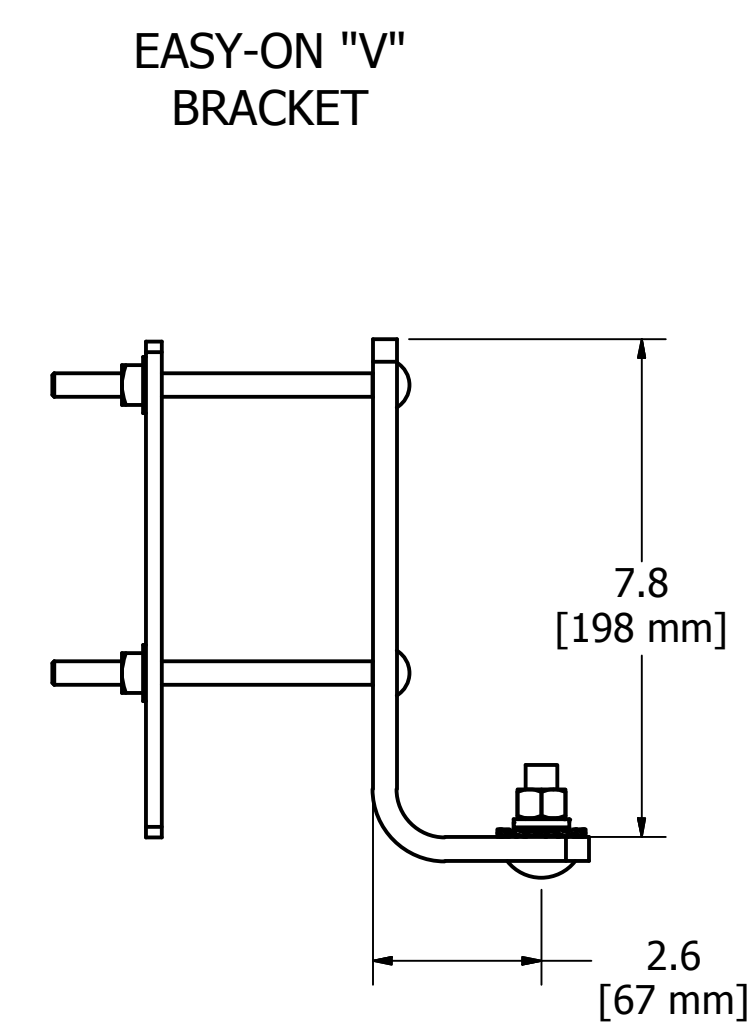
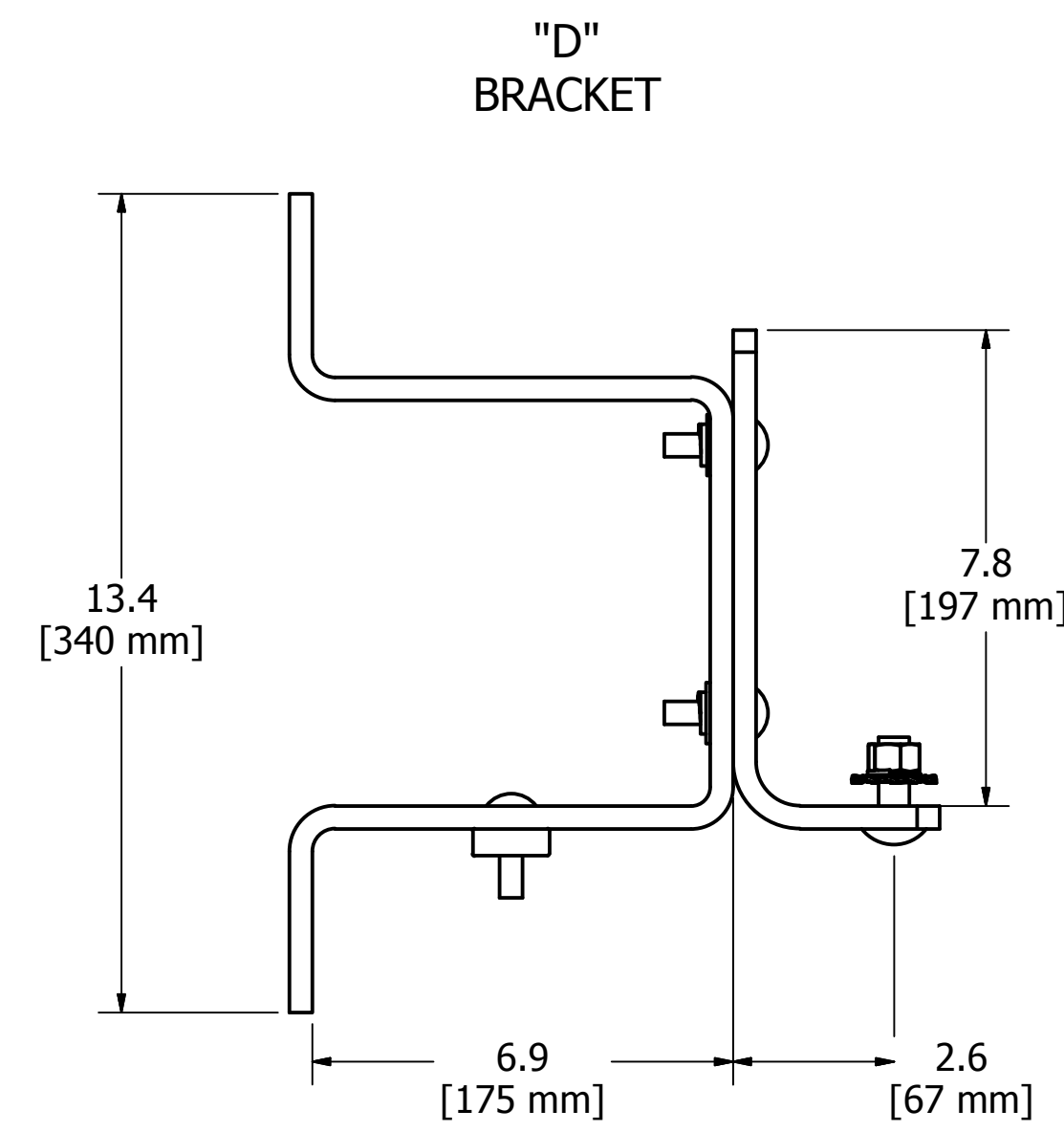
POSITION 6  
INSULATION  
(125KV BIL)

POSITIONS 7 & 8  
FUSEHOLDER  
(SEE TABLE)

POSITION 11-13  
SPECIAL OPTIONS  
BLANK - NO OPTION  
D - RATING LABEL  
M - MECHANICAL ASSIST FUSEHOLDER  
S - STAINLESS STEEL

POSITION 10  
MOUNTING BRACKET  
BLANK OR Z - NO BRACKET  
B - NEMA "B" BRACKET  
X - EXTENDED BRACKET  
D - "D" BRACKET  
V - EASY-ON BRACKET

POSITION 9  
TERMINAL  
P - PG CLAMPS  
E - SMALL EYEBOLT  
L - LARGE EYEBOLT



**DIMENSION ARE APPROXIMATE AND FOR REFERENCE ONLY**

CHANCE® EC: 51844 DATE: 08-21-13		<b>HUBBELL POWER SYSTEMS</b> POWER SYSTEMS, INC.	
CONFIDENTIAL: THIS DRAWING AND ITS CONTENTS ARE CONFIDENTIAL AND THE EXCLUSIVE PROPERTY OF HUBBELL POWER SYSTEMS. NO PUBLICATION, DISTRIBUTION OR COPIES MAY BE MADE WITHOUT THE WRITTEN CONSENT OF HUBBELL POWER SYSTEMS. HUBBELL POWER SYSTEMS UNPUBLISHED ALL RIGHTS RESERVED UNDER THE COPYRIGHT LAWS		TITLE <b>CUTOUT, 15KV, 110 BIL POLYMER LINKBREAK</b>	
SIZE <b>D</b>	DWG NO. SAP720-1	CAT / PART / ASSY NO. SEE CHART	REV <b>C</b>
DO NOT SCALE THIS DRAWING	DRN BY SOC	DATE 03-11-13	SHEET 01 OF 01