

POSITION 7 & 8 FUSE HOLDER							
POSITION 7&8	KV MAX	AMPS	AIC ASYM	CAPACITIVE LDBK RATING	INDUCTIVE LDBK RATING	"L"	ARC ROD
11	15/27	100	8,000	100	100	15.12 (384MM)	NONE
13	15/27	100	12,000	100	100	15.12 (384MM)	4.50 (114MM)
MM	-	-	-	-	-	-	-

CATALOG NUMBERING SYSTEM
POSITION

1 2 3 4 5 6 7 8 9 10 11 12 13

CP 7 2 0 - 2
TP

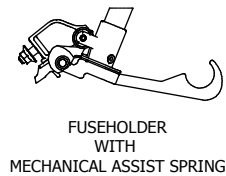
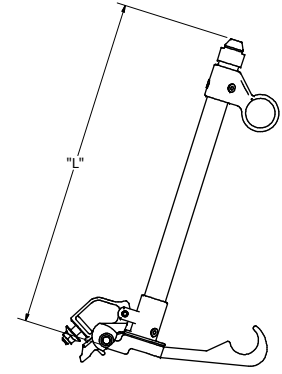
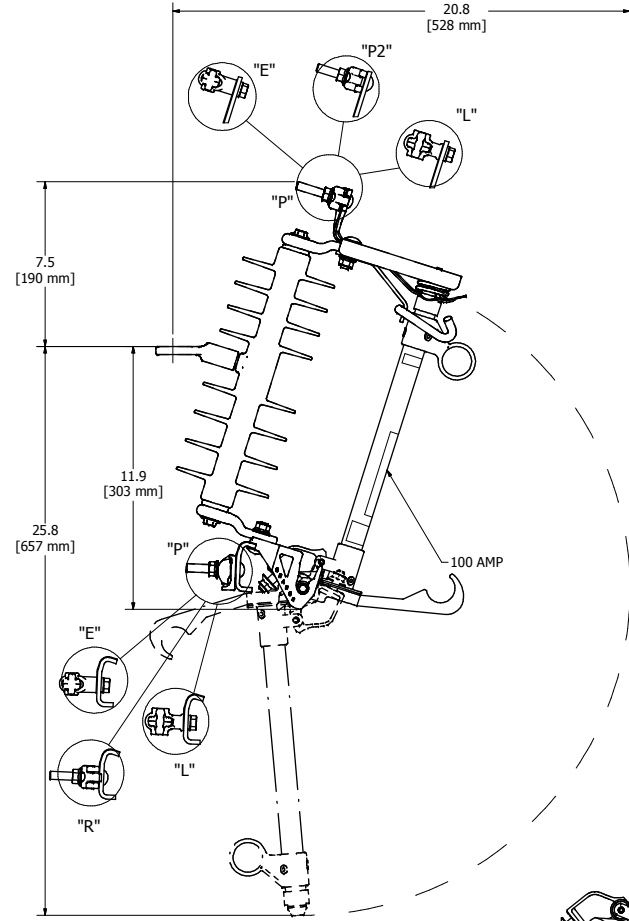
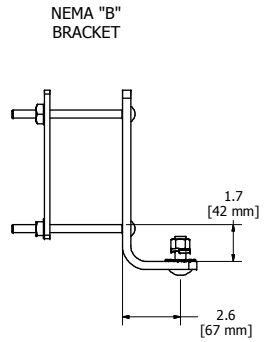
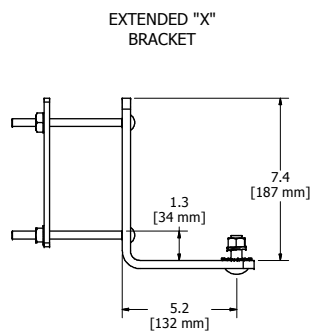
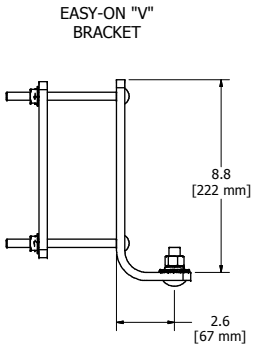
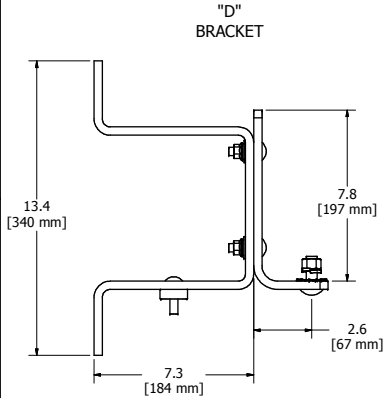
POSITION 6
INSULATION
(125KV BIL)

POSITIONS 7 & 8
FUSEHOLDER
(SEE TABLE)

POSITION 11-13
SPECIAL OPTIONS
BLANK - NO OPTION
D - RATING LABEL
F - WILDLIFE PROTECTOR
M - MECHANICAL ASSIST FUSEHOLDER
S - STAINLESS STEEL

POSITION 10
MOUNTING BRACKET
BLANK OR Z - NO BRACKET
B - NEMA "B" BRACKET
C - NEMA "B" W/6" BOLTS
X - EXTENDED BRACKET
D - "D" BRACKET
V - EASY-ON BRACKET

POSITION 9
TERMINAL
P - PG CLAMPS
P2 - PG CLAMP 2 PIECE
E - SMALL EYEBOLT
L - LARGE EYEBOLT
R - BOTTOM ROTATED PG
T - FUSEHOLDER ONLY
(POSITION 10 & 11 BLANK)



DIMENSION ARE APPROXIMATE
AND FOR REFERENCE ONLY

CHANCE EC: 71035 SR DATE: 09-07-17			
CONFIDENTIAL: THIS DRAWING AND ITS CONTENTS ARE CONFIDENTIAL AND THE EXCLUSIVE PROPERTY OF HUBBELL POWER SYSTEMS. NO PUBLICATION, DISTRIBUTION OR COPIES MAY BE MADE WITHOUT THE WRITTEN CONSENT OF HUBBELL POWER SYSTEMS. HUBBELL POWER SYSTEMS UNPUBLISHED ALL RIGHTS RESERVED UNDER THE COPYRIGHT LAWS.			
SIZE D	DWG NO. SAP720-2	CAT / PART / ASSY NO. SEE CHART	REV B
DO NOT SCALE THIS DRAWING	DRN BY COCHRAN	DATE 08-21-13	SHEET 01 OF 01