

# CATALOG NUMBERING SYSTEM

OB = OHIO BRASS  
MOV = METAL OXIDE VARISTOR

## POSITION

1 2 3 4 5 6 7 8 9 10 11  
CP 7 2 1

POLYMER ARRESTER

BRAND	BLOCK	TYPE	KV	POSITION 4 & 5
OB	SMALL	MOV	9	DL
OB	SMALL	MOV	10	DM
OB	LARGE	MOV	9	EL
OB	LARGE	MOV	10	EM
OB	RISER	MOV	9	FL
OB	RISER	MOV	10	FM

FUSEHOLDER

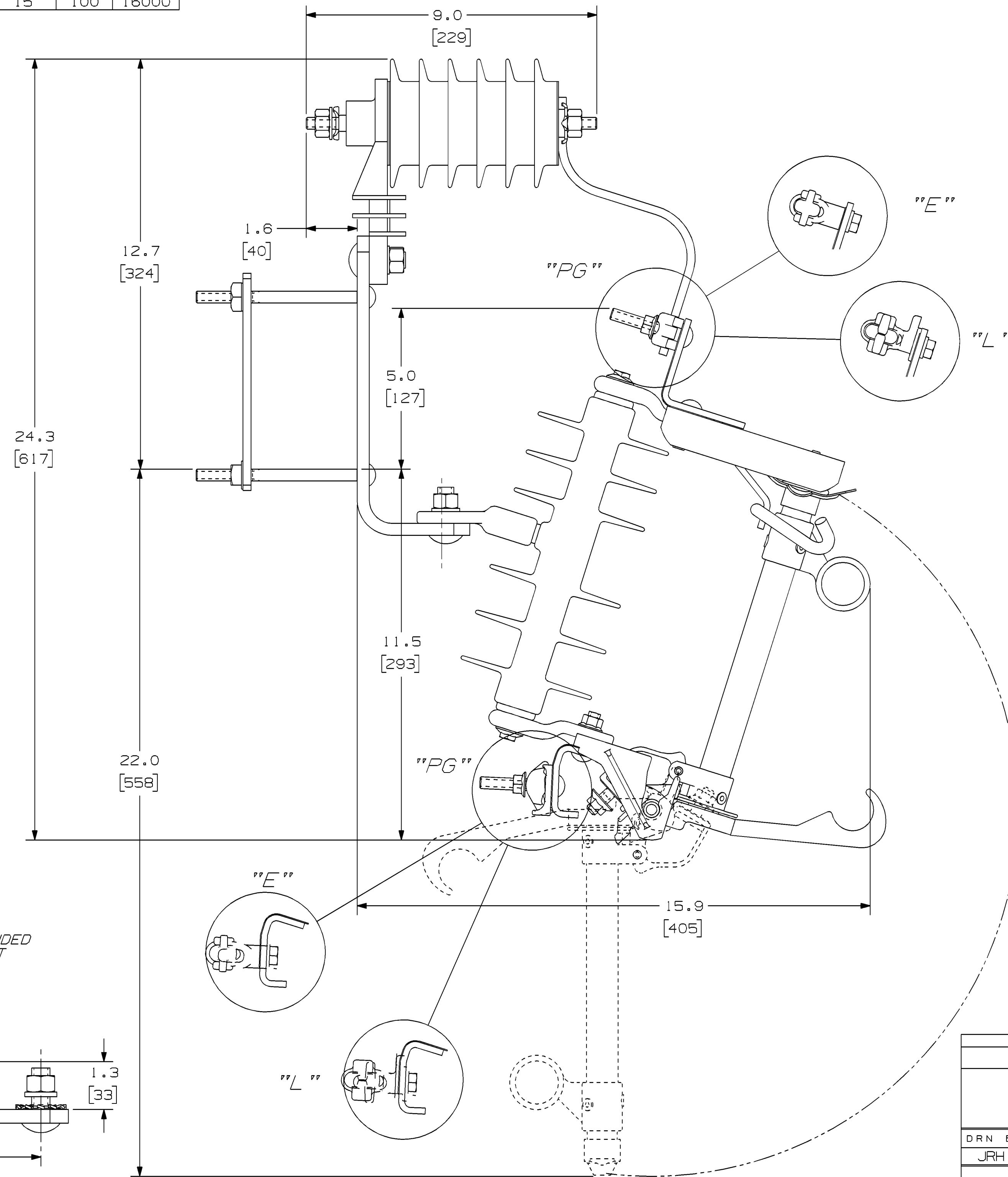
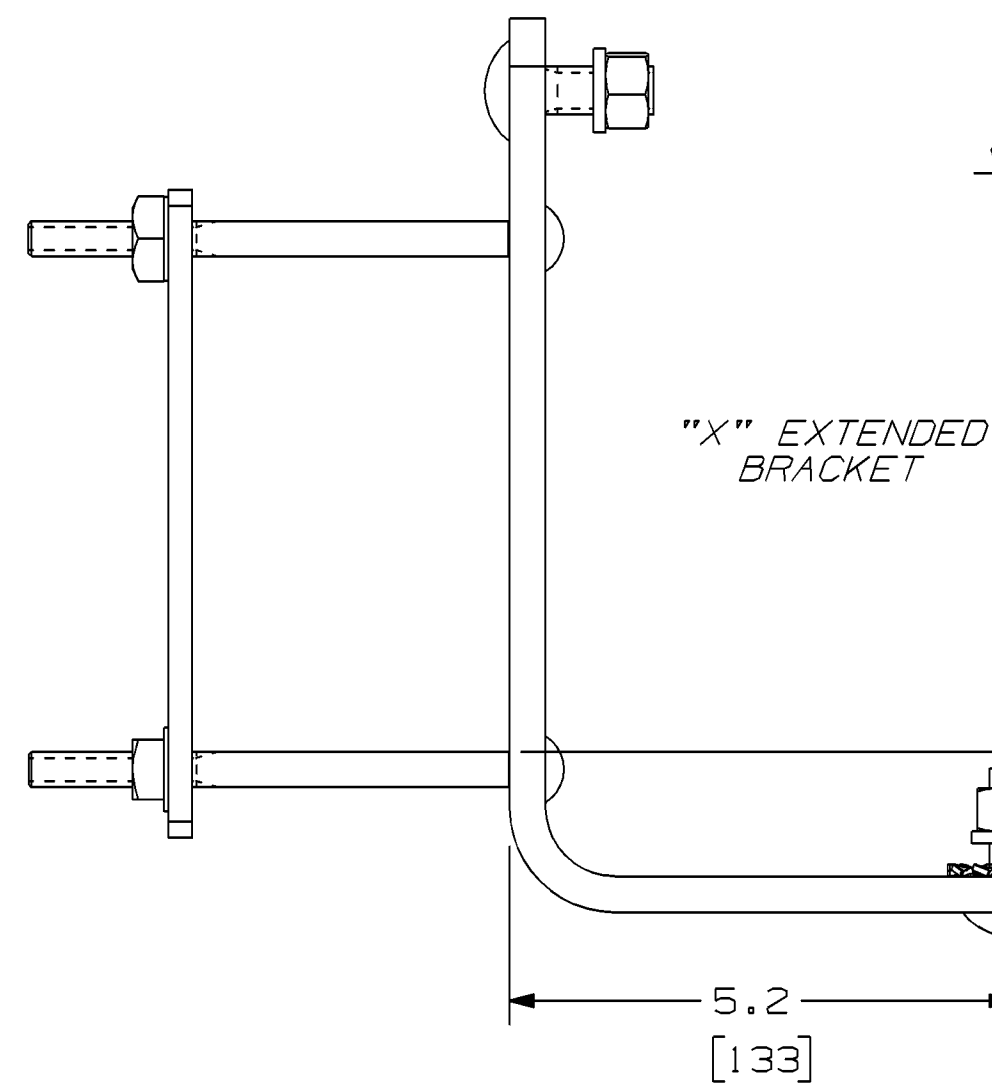
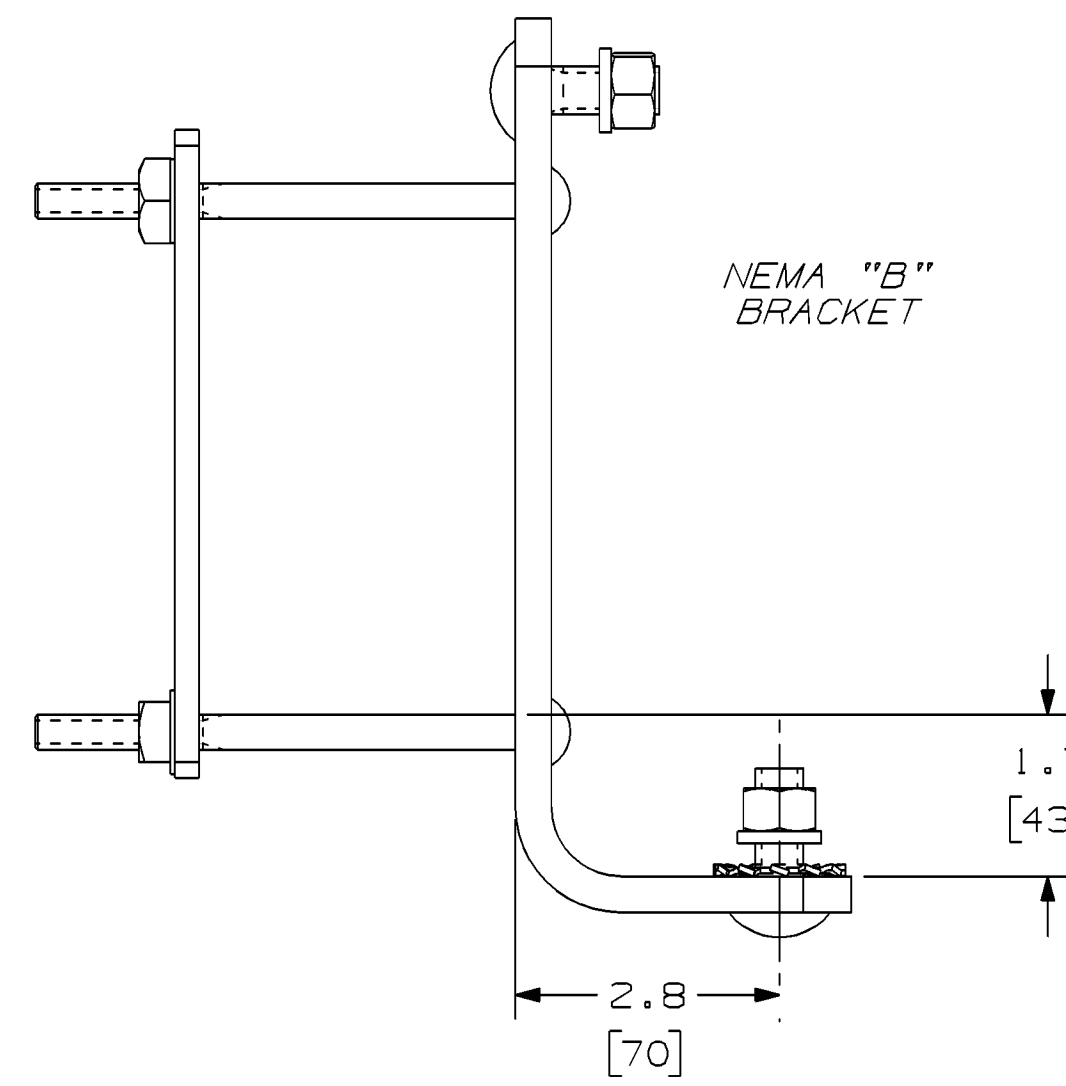
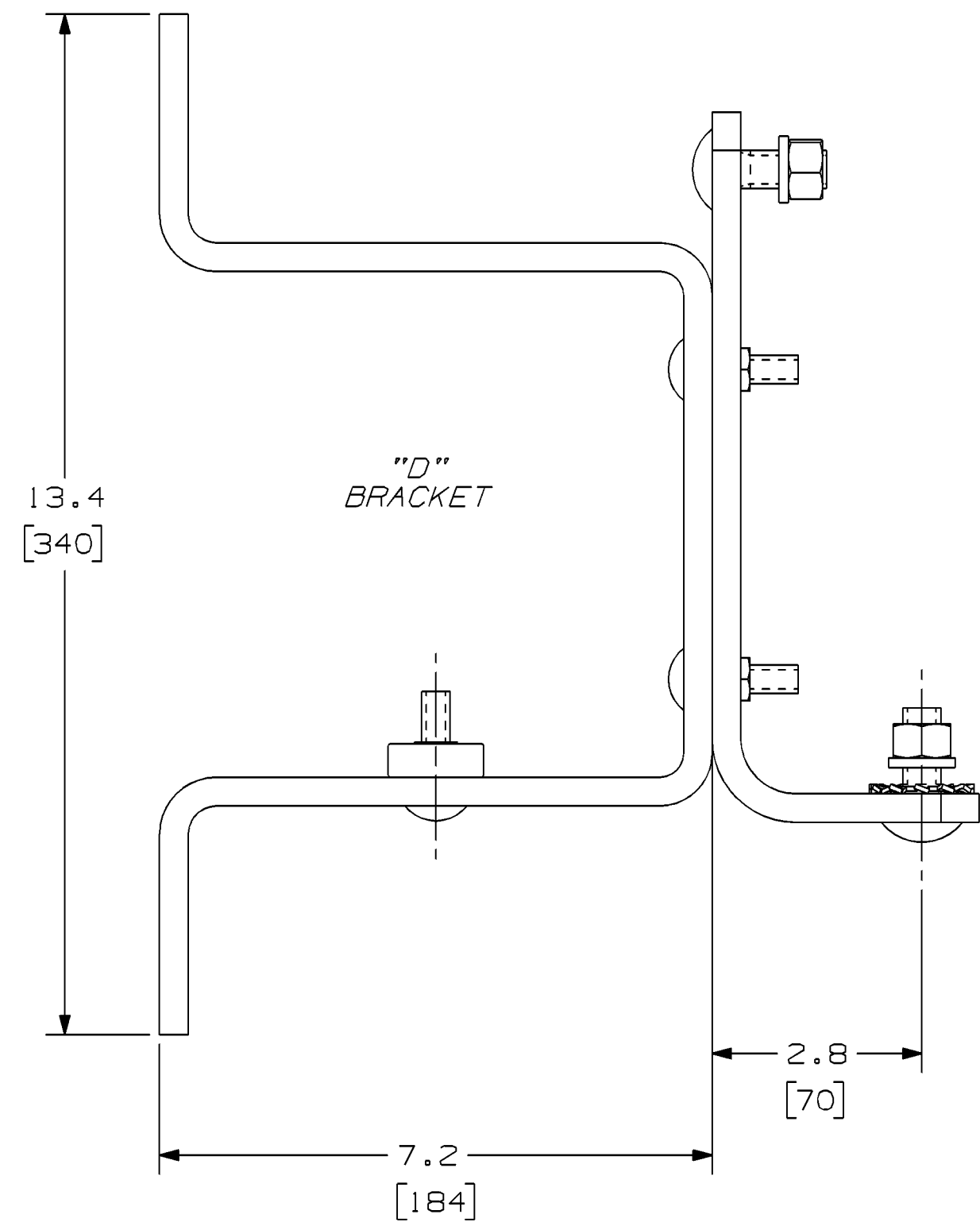
POSITIONS	KV MAX	RATED	AIC
7 & 8	DESIGN	AMPS	(ASYM)
12	15	100	10000
14	15	100	16000

POSITION 9  
TERMINAL OPTIONS  
P - PG CLMAPS (TIN PLATING)  
E - SMALL EYEBOLT TERMINALS  
L - LARGE EYEBOLT TERMINALS

POSITION 11  
MECHANICAL ASSIST  
BLANK - NO OPTION  
M - MECHANICAL ASSIST FUSEHOLDER

POSITION 10  
MOUNTING BRACKET  
BLANK OR Z - NO BRACKET  
B - NEMA "B" BRACKET  
X - EXTENDED BRACKET  
D - "D" BRACKET

DIMENSIONS ARE APPROXIMATE  
AND FOR REFERENCE ONLY



POLYMER BODY ARRESTERS

LATEST EC NO:	REV.	DATE	CHANGED BY	RESP ENGINEER
08948	A	1-02-04	HAYNAM	HAYNAM

DRN BY:	DATE	TITLE:	SIZE
JRH	02-12-02	110 KV BIL POLYMER CUTOUT/ARRESTER	D

DO NOT SCALE THIS DWG	THIRD ANGLE PROJECTION

HUBBELL POWER SYSTEMS	CHANCE	CAD/CAM	DWG NO: SAP72DL1

CONFIDENTIAL: THIS DRAWING AND ITS CONTENTS ARE CONFIDENTIAL AND THE EXCLUSIVE PROPERTY OF HUBBELL POWER SYSTEMS, A CHANCE COMPANY. NO PUBLICATION, DISTRIBUTION OR REPRODUCTION OF THIS DRAWING OR ITS CONTENTS IS PERMITTED WITHOUT THE WRITTEN CONSENT OF HUBBELL POWER SYSTEMS, A CHANCE COMPANY. © 2001 HUBBELL POWER SYSTEMS, A CHANCE COMPANY. UNPUBLISHED - ALL RIGHTS RESERVED UNDER THE COPYRIGHT LAWS