

CATALOG NUMBERING SYSTEM

POSITION

1 2 3 4 5 6 7 8 9 10 11 12 13
CP 730-2

TP

POSITION 6
 INSULATION
 (125KV BIL)

FOR MOUNTING OR
 FUSEHOLDER ONLY

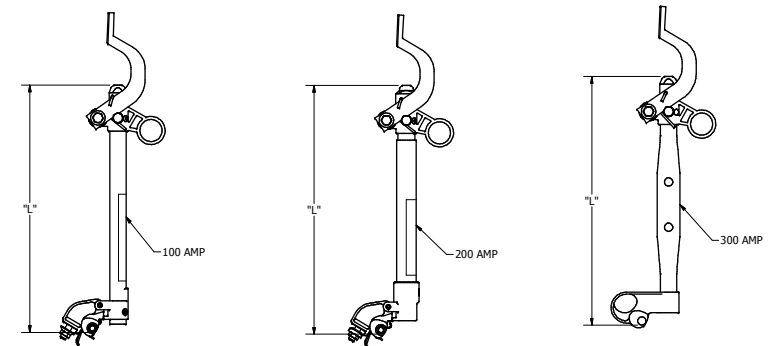
POSITIONS 7 & 8
 FUSEHOLDER

POSITION 11-13
 SPECIAL OPTIONS
 BLANK - NO OPTION
 D - RATING LABEL
 M - MECHANICAL ASSIST FUSEHOLDER
 S - STAINLESS STEEL

POSITION 10
 MOUNTING BRACKET
 BLANK OR Z - NO BRACKET
 B - NEMA "B" BRACKET
 C - NEMA "B" BRACKET W/6" BOLTS
 X - EXTENDED BRACKET
 D - "D" BRACKET
 V - EASY-ON BRACKET

POSITION 9
 TERMINAL OPTIONS
 P - PG CLAMPS (TIN PLATING)
 P2 - PG CLAMPS 2 PIECE
 E - SMALL EYEBOLT TERMINALS
 L - LARGE EYEBOLT TERMINALS
 R - ROTATED BOTTOM PG
 T - FUSEHOLDER ONLY (POSITION 10-11 BLANK)

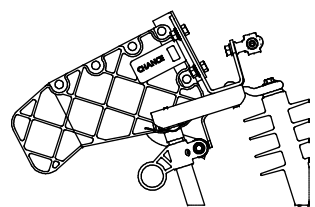
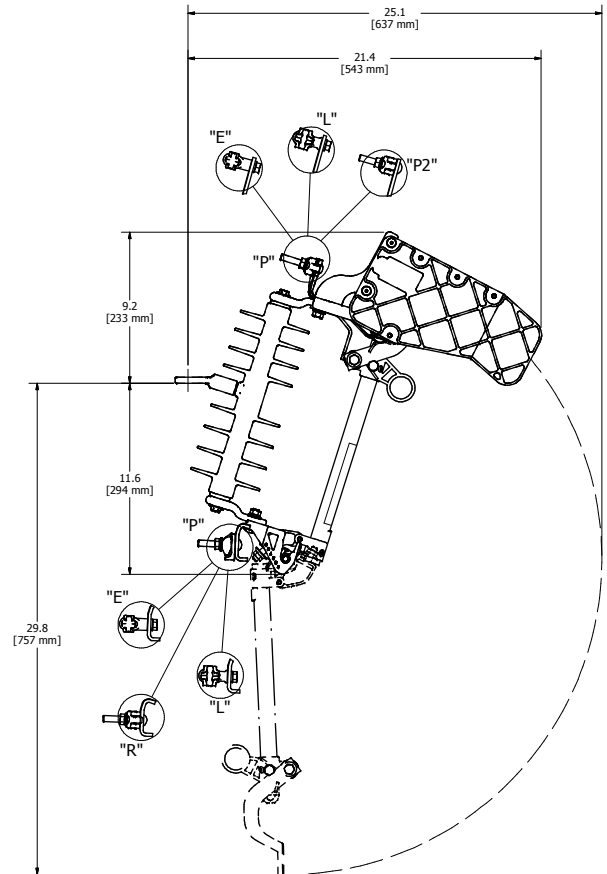
FUSEHOLDER INFORMATION					
POSITIONS 7&8	MAX DESIGN KV	RATED	AIC (ASYM)	"L"	ARC ROD
11	15/27	100	8000	14.97 IN (380MM)	NONE
13	15/27	100	12000	15.06 IN (383 MM)	4.50 (114MM)
42	15/27	200	10000	15.06 IN (383 MM)	4.50 (114MM)
43	15/27	200	12000	15.06 IN (383 MM)	5.50 (140MM)
33	15/27	300	12000	15.06 IN (383 MM)	NONE
MM	---	---	---	NO FUSEHOLDER	-



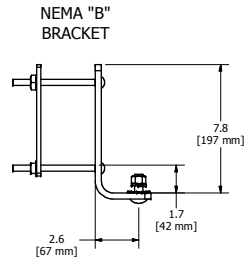
DIMENSIONS ARE APPROXIMATE
 AND FOR REFERENCE ONLY

CONFIDENTIAL

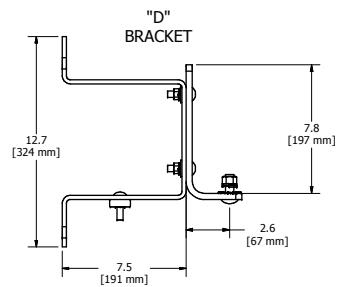
CHANCE			
EC 70598 SR DATE: 08-04-17		HUBBELL POWER SYSTEMS	
CONFIDENTIAL: THIS DRAWING AND ITS CONTENTS ARE CONFIDENTIAL AND THE EXCLUSIVE PROPERTY OF HUBBELL POWER SYSTEMS. NO PUBLICATION, DISTRIBUTION OR COPIES MAY BE MADE WITHOUT THE WRITTEN CONSENT OF HUBBELL POWER SYSTEMS. HUBBELL POWER SYSTEMS UNPUBLISHED ALL RIGHTS RESERVED UNDER THE COPYRIGHT LAWS.			
TITLE CUTOUT, LDBK 15/27 KV 125 BIL POLYMER			
SIZE D	DWG NO. SAP730-2	CAT / PART / ASSY NO. SEE CHART	REV B
DO NOT SCALE THIS DRAWING	DRN BY SOC	DATE 2-18-13	SHEET 01 OF 01



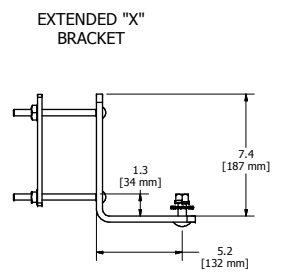
ARC CHUTE DETAIL
 FOR "E", "L" AND "P2" CUTOUTS
 SCALE 1 / 4



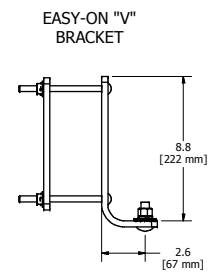
NEMA "B"
 BRACKET



"D"
 BRACKET



EXTENDED "X"
 BRACKET



EASY-ON "V"
 BRACKET