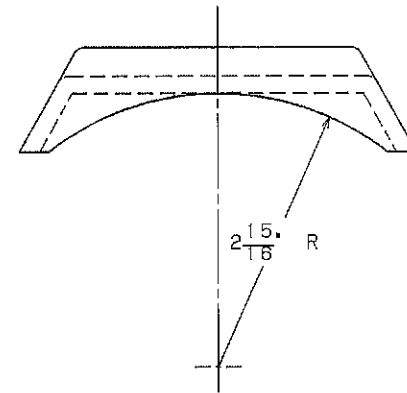


=NOTES=

- MAT'L: DUCTILE IRON PER ASTM A536, HOT DIP GALVANIZED PER ASTM A153.



LATEST EC NO:		REV.	DATE	CHANGED BY	RESP ENGINEER
EC92082434		-	-----	---	ODOM
				DO NOT SCALE THIS DWG	THIRD ANGLE PROJECTION
				150 DUAL DIMENSIONS IN=INCH, MM=MILLIMETER	
DRN BY:	DATE:	TITLE:		SIZE:	
SCRIVNER	08-28-02	CROSSARM GAIN		C	
				DWG NO: SAPG3545	

CONFIDENTIAL: THIS DRAWING AND ITS CONTENTS ARE CONFIDENTIAL AND THE EXCLUSIVE PROPERTY OF HUBBELL / A. B. CHANCE COMPANY. NO PUBLICATION, DISTRIBUTION OR COPIES MAY BE MADE WITHOUT WRITTEN CONSENT BY HUBBELL / A. B. CHANCE COMPANY. © 2000 HUBBELL/A. B. CHANCE. UNPUBLISHED - ALL RIGHTS RESERVED UNDER THE COPYRIGHT LAWS