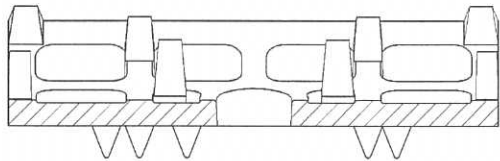
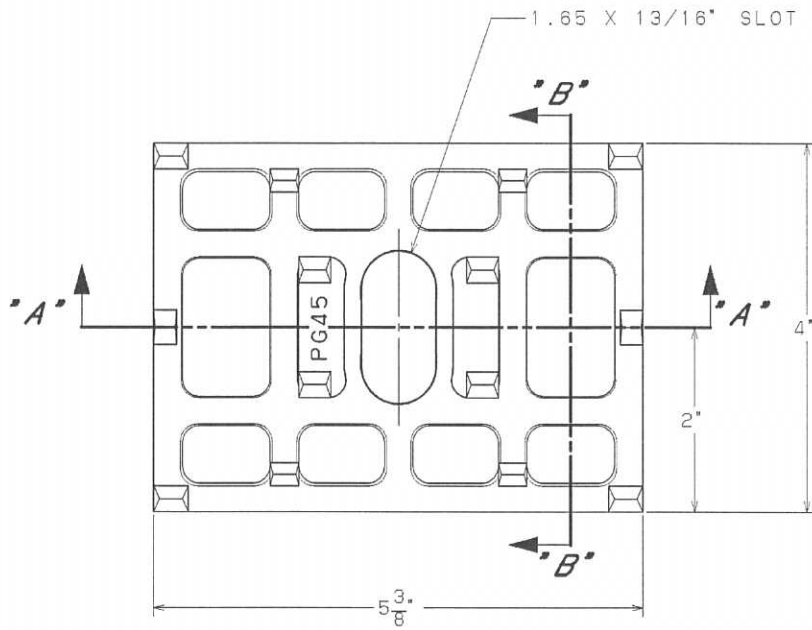
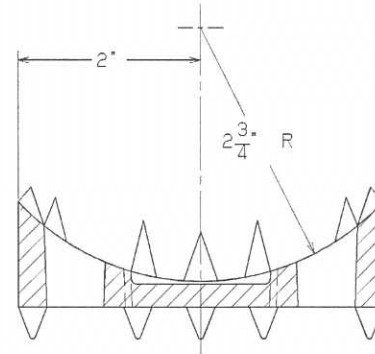


=NOTES=

1. MAT'L: DUCTILE IRON PER ASTM A536.
2. HOT DIP GALVANIZED PER ASTM A153.



SECTION "A-A"



SECTION "B-B"

LATEST EC NO:	REV.	DATE	CHANGED BY	RESP ENGINEER
ECS2081908	-	-----	---	ODOM
DO NOT SCALE THIS DWG				THIRD ANGLE PROJECTION
ISO DUAL DIMENSIONS IN=INCH, MM=MILLIMETER				
DRN BY:	DATE	TITLE:	SIZE	
SCRIVNER	08-20-02	POLE GAIN	C	
		DWG NO:		SAPG45

CONFIDENTIAL: THIS DRAWING AND ITS CONTENTS ARE CONFIDENTIAL AND THE EXCLUSIVE PROPERTY OF HUBBELL / A. B. CHANCE COMPANY. NO PUBLICATION, DISTRIBUTION OR COPIES MAY BE MADE WITHOUT WRITTEN CONSENT BY HUBBELL / A. B. CHANCE COMPANY. © 2000 HUBBELL/A. B. CHANCE. UNPUBLISHED - ALL RIGHTS RESERVED UNDER THE COPYRIGHT LAWS