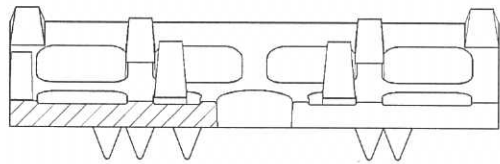
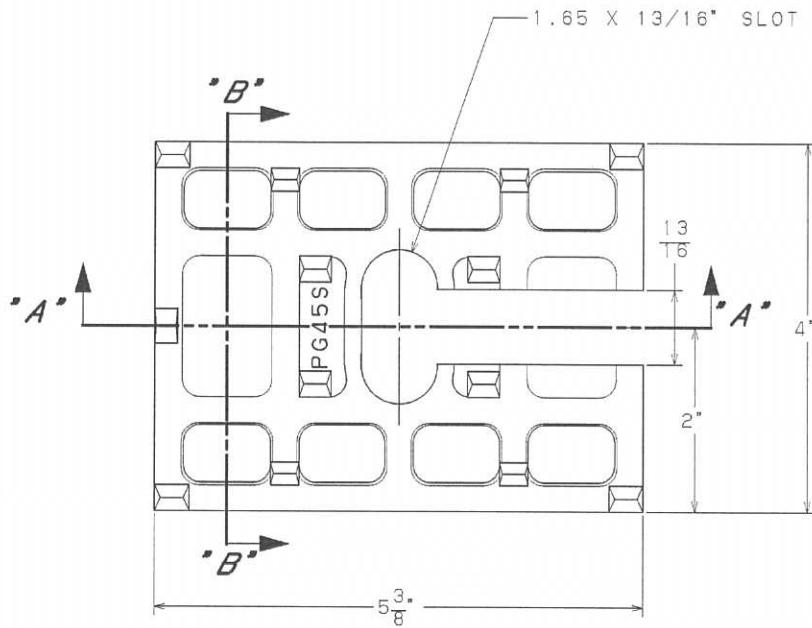
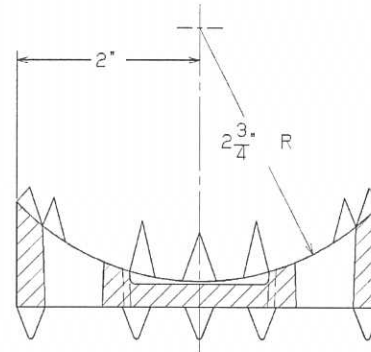


=NOTES=

1. MAT'L: DUCTILE IRON PER ASTM A536.
2. HOT DIP GALVANIZED PER ASTM A153.



SECTION "A-A"



SECTION "B-B"

LATEST EC NO:		REV.	DATE	CHANGED BY	RESP ENGINEER
94072606		-	-----	---	ODOM
DO NOT SCALE THIS DWG THIRD ANGLE PROJECTION ISO DUAL DIMENSIONS IN INCH, MM-MILLIMETER					
					DRN BY: QUALLS DATE: 07-27-94 TITLE: POLE GAIN SIZE: C
					DWG NO: SAPG45S

CONFIDENTIAL: THIS DRAWING AND ITS CONTENTS ARE CONFIDENTIAL AND THE EXCLUSIVE PROPERTY OF HUBBELL POWER SYSTEMS, A DIVISION OF HUBBELL CORPORATION. NO REPRODUCTION OR DISTRIBUTION OF THIS DRAWING OR ITS CONTENTS IS PERMITTED WITHOUT THE WRITTEN CONSENT OF HUBBELL POWER SYSTEMS. © 2000 HUBBELL/A.B. CHANCE. UNPUBLISHED - ALL RIGHTS RESERVED UNDER THE COPYRIGHT LAWS