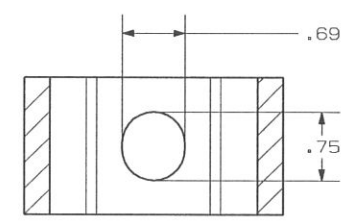
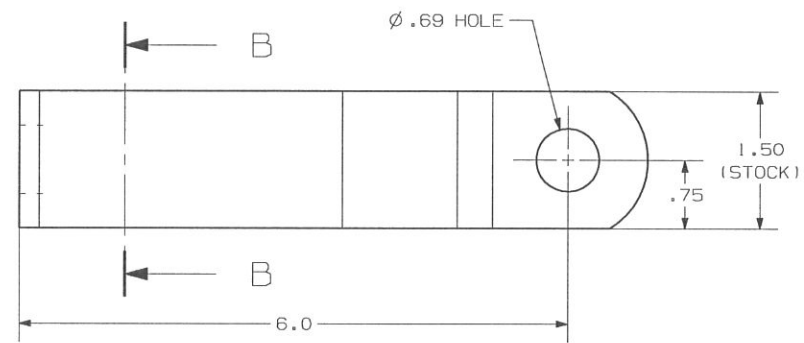
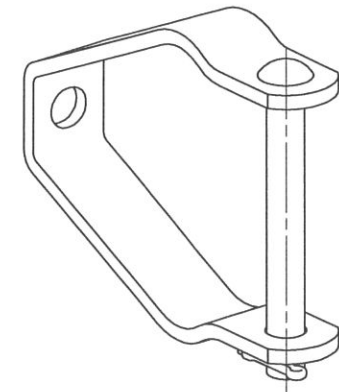
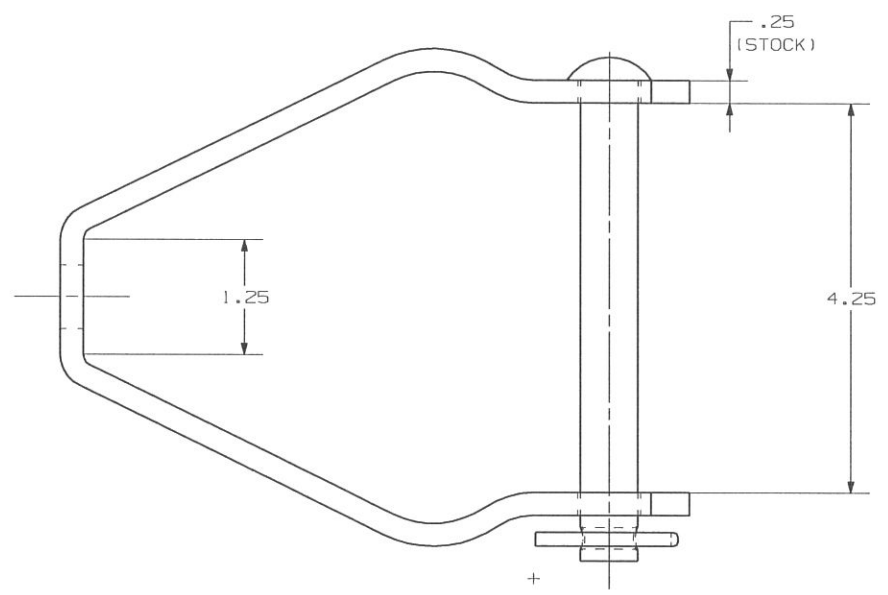


CATALOG NUMBER: 0344



SECTION B-B



- NOTES-
1. MATERIAL: STEEL PER TT-170
 2. HOT DIP GALVANIZE PER ASTM SPEC. A-153 (LATEST REVISION).

LATEST EC NO:		REV.	DATE	CHANGED BY	RESP ENGINEER
46366		K	07-17-12	DMB	KIRK
				DO NOT SCALE THIS DWG	THIRD ANGLE PROJECTION
				ISO DUAL DIMENSIONS IN-INCH, MM-MILLIMETER	
DRN BY:	DATE	TITLE:			SIZE
JOBE	09-17-02	INSULATOR CLEVIS			C
				DWG NO:	SAPS0344

CONFIDENTIAL: THIS DRAWING AND ITS CONTENTS ARE CONFIDENTIAL AND THE EXCLUSIVE PROPERTY OF HUBBELL / A.B. CHANCE COMPANY. NO PUBLICATION, DISTRIBUTION OR COPIES MAY BE MADE WITHOUT WRITTEN CONSENT BY HUBBELL / A.B. CHANCE COMPANY. © 2001 HUBBELL/A.B. CHANCE. UNPUBLISHED - ALL RIGHTS RESERVED UNDER THE COPYRIGHT LAWS