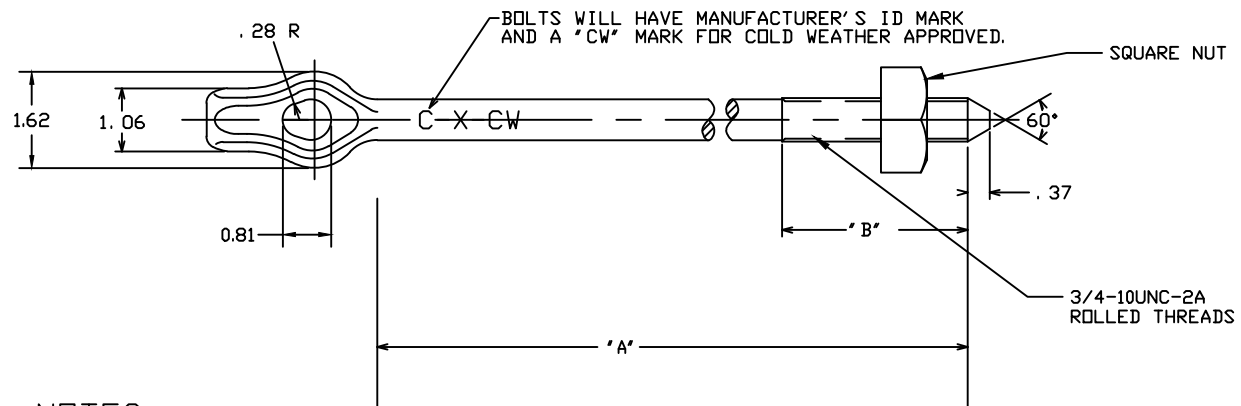


CATALOG NUMBER	"A"	"B"
PS5610CW	10.000	6.00
PS5612CW	12.000	6.00
PS5614CW	14.000	6.00



-NOTES-

- BOLT MATERIAL: STEEL CONFORMING TO THE FOLLOWING PROPERTIES:
  - AVERAGE MINIMUM ABSORPTION OF 20J WHEN TESTED AT -20°C PER ASTM A370.
  - MINIMUM BOLT BREAKING STRENGTH OF 22000 LB (98 KN) WHEN TESTED PER ASTM F606.
  - UNTHREADED PORTION MUST BE CAPABLE OF BEING BENT (COLD) AROUND A MANDREL WITHOUT CRACKING. MANDREL SIZE IS TO BE TWO TIMES THE DIAMETER OF THE SHANK BEING TESTED.
- HOT DIP GALV. PER CSA G164-M (LATEST REV).
- NUT DIMENSIONS PER ASME/ANSI B18.2.2. NUT MATERIAL SAME AS BOLT MATERIAL.

CHANCE TOLERANCE CHART	HUBBELL POWER SYSTEMS POWER SYSTEM, INC.
CONFIDENTIAL: THIS DRAWING AND ITS CONTENTS ARE CONFIDENTIAL AND THE EXCLUSIVE PROPERTY OF HUBBELL POWER SYSTEMS. NO PUBLICATION, DISTRIBUTION OR COPIES MAY BE MADE WITHOUT THE WRITTEN CONSENT OF HUBBELL POWER SYSTEMS. HUBBELL POWER SYSTEMS UNPUBLISHED. ALL RIGHTS RESERVED UNDER THE COPYRIGHT LAWS.	TITLE 3/4" THIMBLEYE BOLTS (COLD WEATHER)
SIZE SB SAPS5606CW	CAT / PART / ASSY NO. SEE CHART
DO NOT SCALE THIS DRAWING	DRN BY J.J.L. DATE 01/07/13 SHEET 01 OF 01