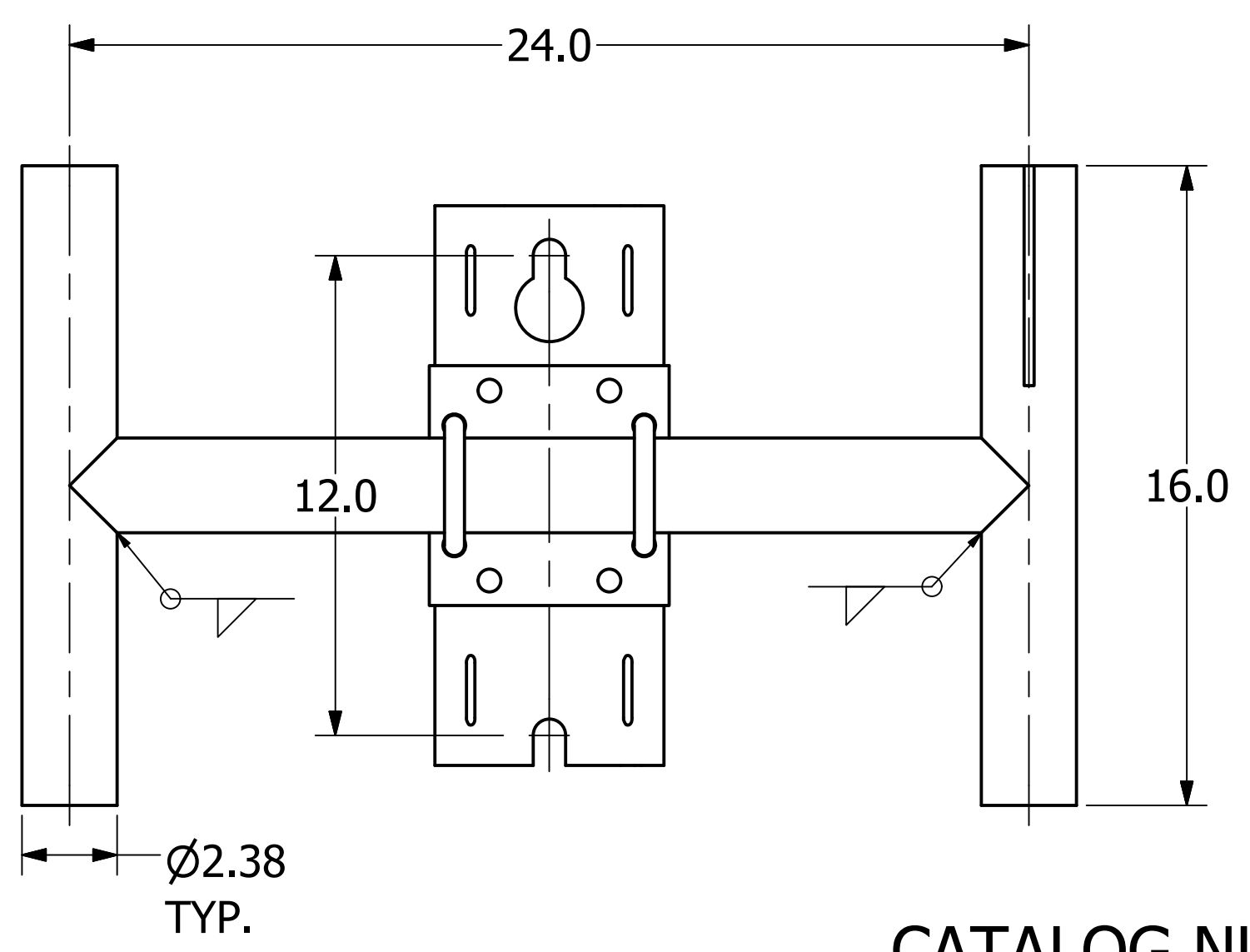
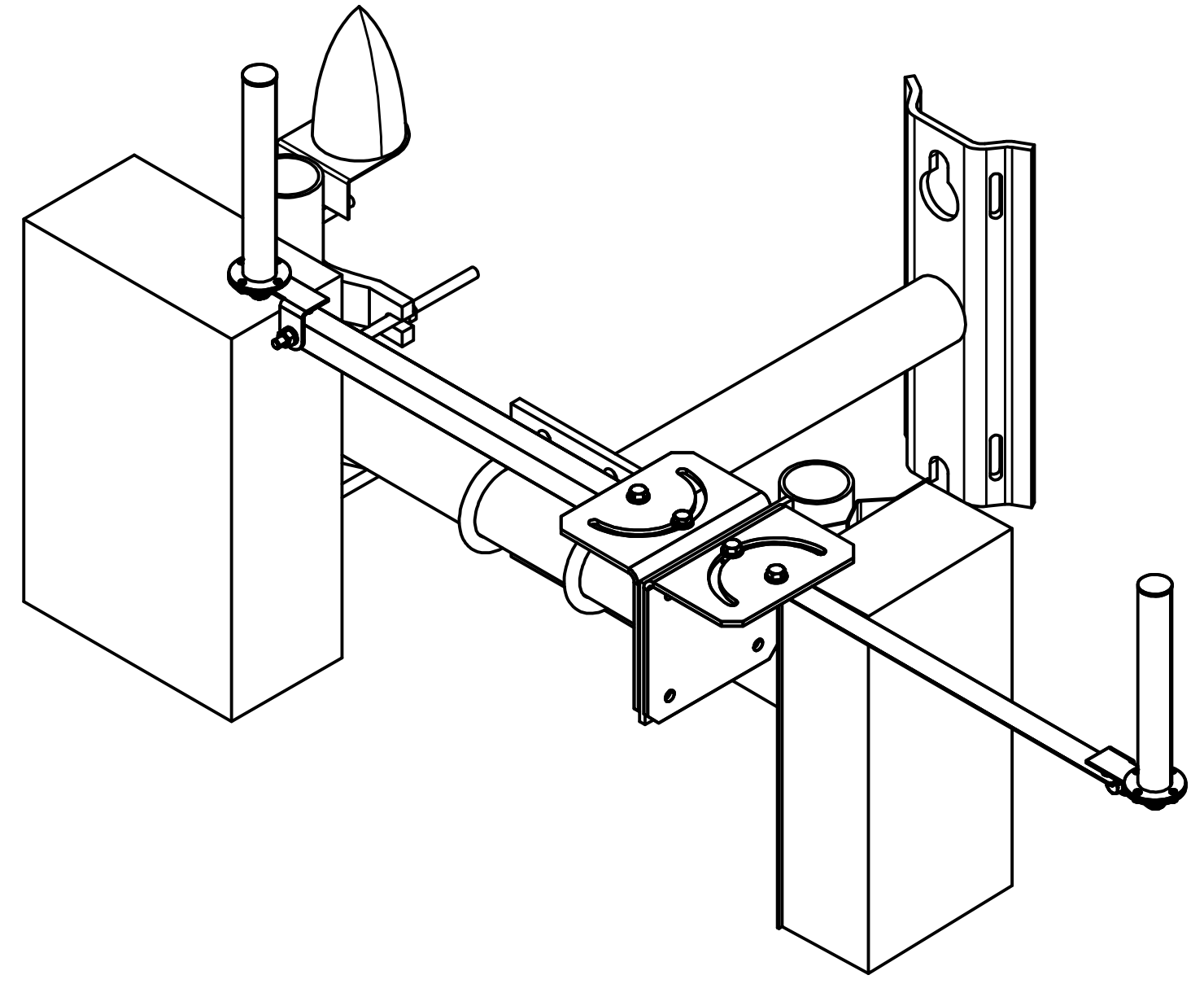
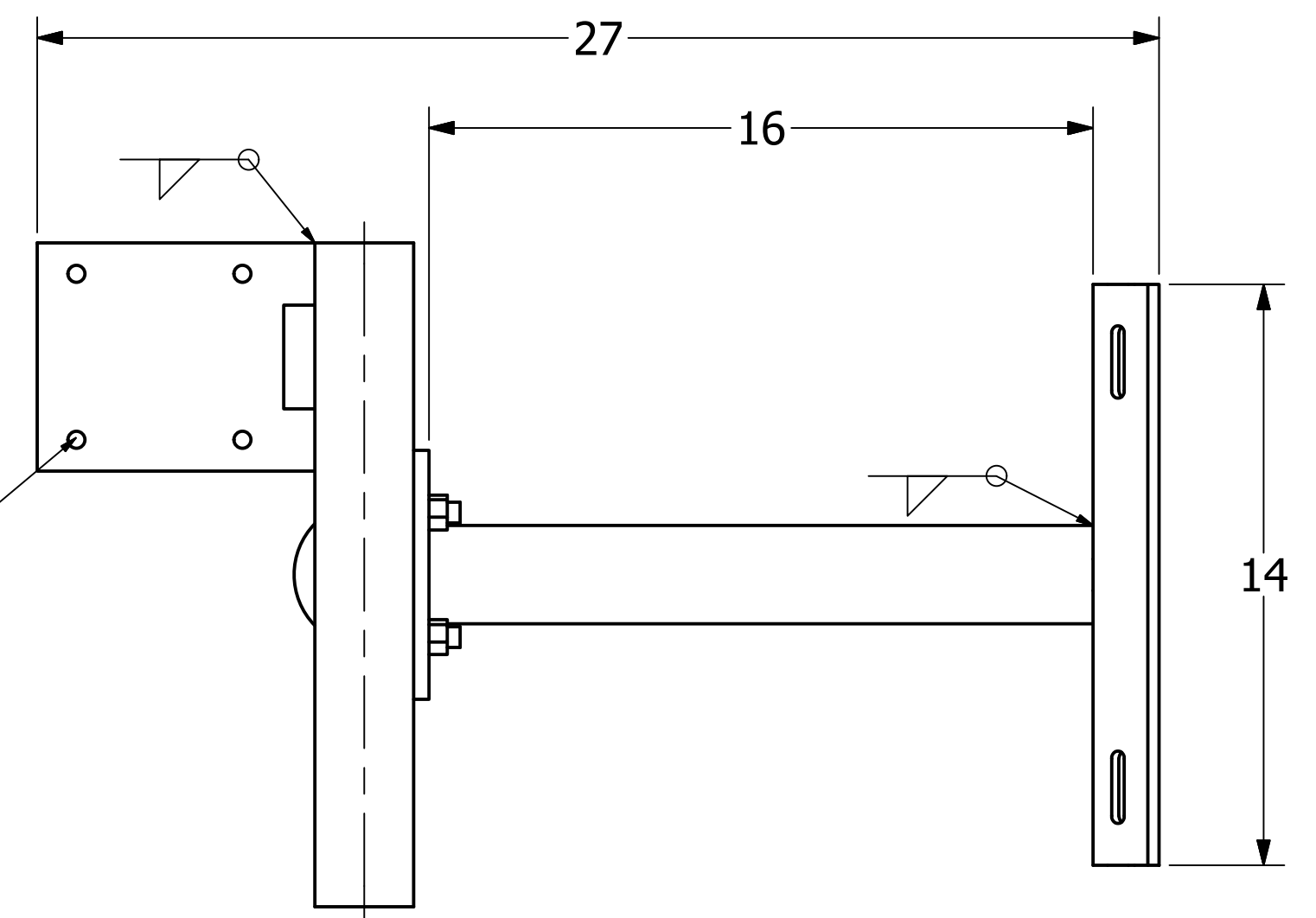


- NOTES-**
1. MATERIAL: STEEL
  2. 16" OFFSET FROM POLE
  3. BRACKET CAN BE BANDED OR BOLTED USING 3/4" HARDWARE
  4. FINISH: HOT DIP GALV. PER ASTM A153
  5. WEIGHT: ~35 LBS



HOLE PATTERN FOR AMPHENOL 7825700



**CATALOG NUMBER: PSC2080298**

<b>CHANCE</b> <sup>®</sup>		<b>HUBBELL</b> <sup>®</sup> HUBBELL POWER SYSTEMS, Inc. <small>POWER SYSTEMS, INC.</small>	
<small>CONFIDENTIAL: THIS DRAWING AND ITS CONTENTS ARE CONFIDENTIAL AND THE EXCLUSIVE PROPERTY OF HUBBELL POWER SYSTEMS. NO PUBLICATION, DISTRIBUTION OR COPIES MAY BE MADE WITHOUT THE WRITTEN CONSENT OF HUBBELL POWER SYSTEMS. HUBBELL POWER SYSTEMS UNPUBLISHED ALL RIGHTS RESERVED UNDER THE COPYRIGHT LAWS.</small>		<b>TITLE</b> <b>VERSE 2 POSITION UNIVERSAL BRACKET</b>	
		<small>SIZE</small> <b>SC PSC208-0298</b>	<small>CAT / PART / ASSY NO.</small> <b>PSC208-0298</b>
<small>DO NOT SCALE THIS DRAWING</small>	<small>DRN BY</small> ADAMS	<small>DATE</small> 04/24/14	<small>SHEET - OF -</small>