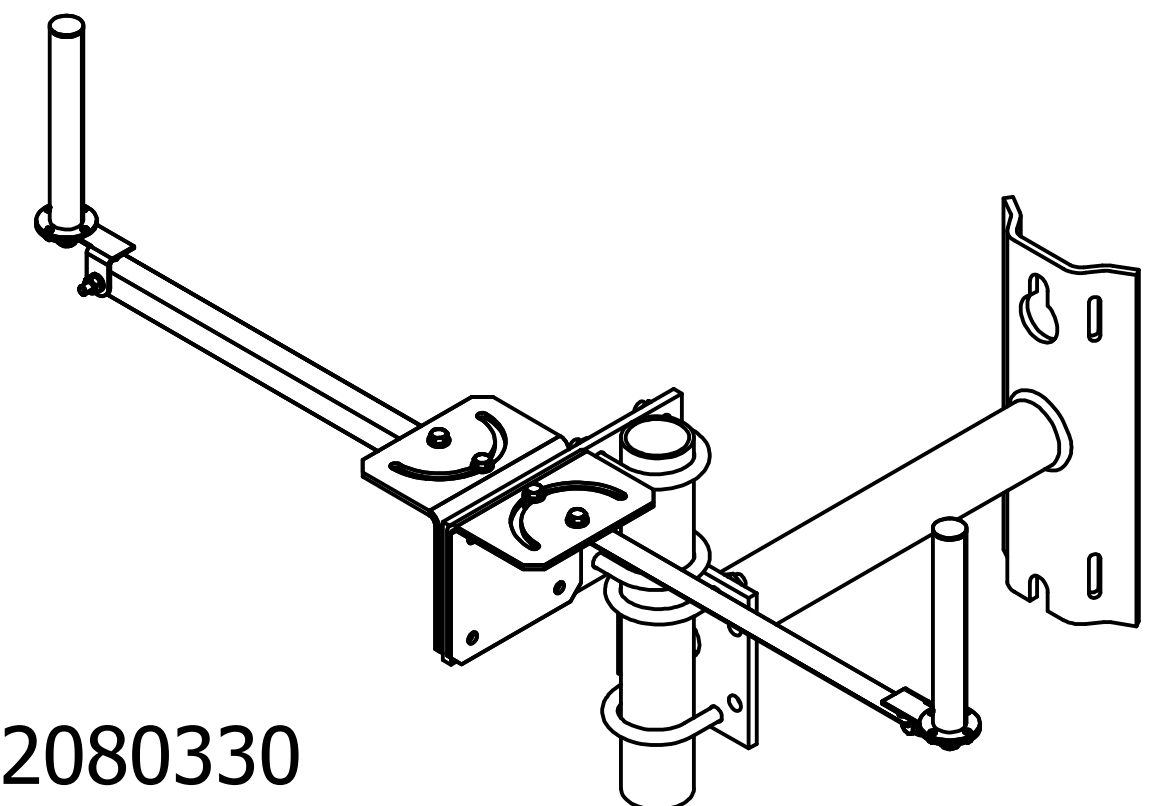
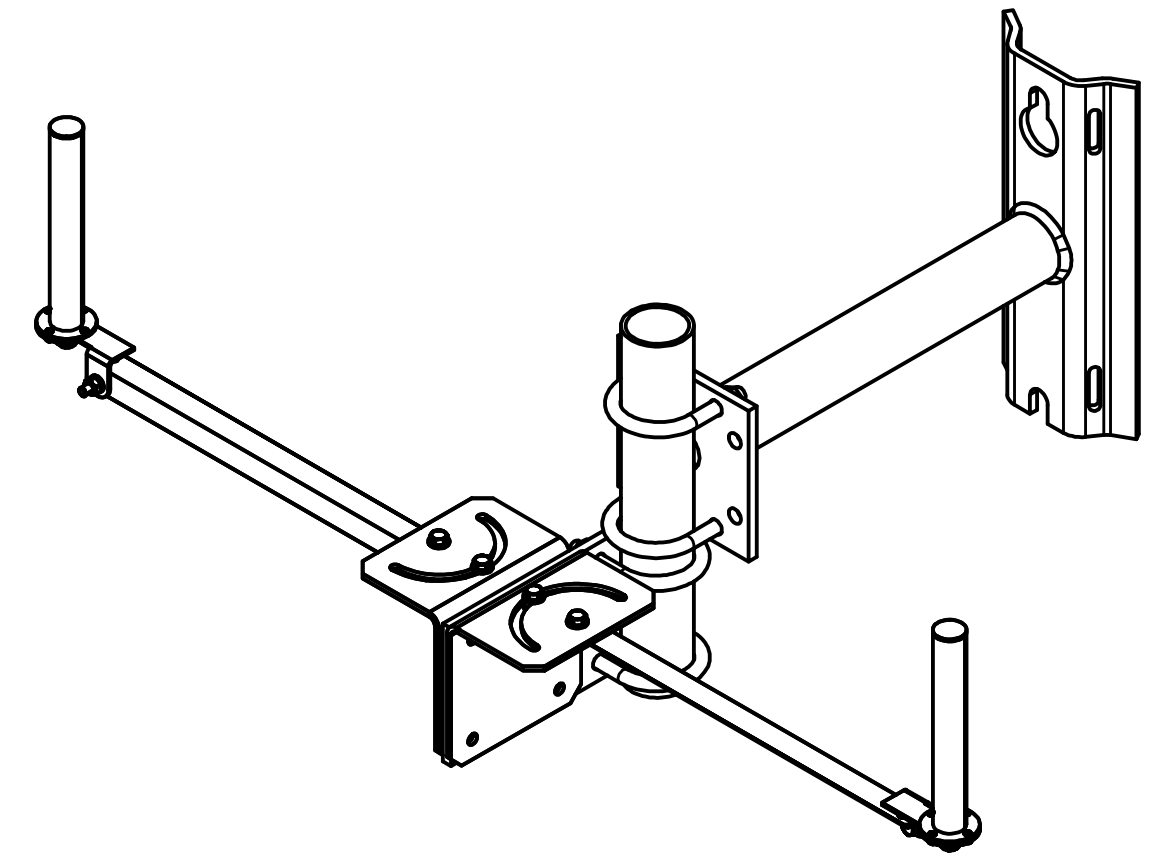


-NOTES-

1. MATERIAL: STEEL
2. 16" OFFSET FROM POLE
3. MOUNTS 2 AMPHENOL 7825700 ANTENNAS
4. BRACKET CAN BE BANDED OR BOLTED USING 3/4" HARDWARE
5. FINISH: HOT DIP GALV. PER ASTM A153



CATALOG NUMBER: PSC2080330

CHANCE®



HUBBELL POWER SYSTEMS, Inc.

CONFIDENTIAL: THIS DRAWING AND ITS CONTENTS ARE CONFIDENTIAL AND THE EXCLUSIVE PROPERTY OF HUBBELL POWER SYSTEMS. NO PUBLICATION, DISTRIBUTION OR COPIES MAY BE MADE WITHOUT THE WRITTEN CONSENT OF HUBBELL POWER SYSTEMS. HUBBELL POWER SYSTEMS UNPUBLISHED ALL RIGHTS RESERVED UNDER THE COPYRIGHT LAWS.

TITLE			
16" AMPHENOL ANTENNA STANDOFF BRACKET			
SIZE	CAT / PART / ASSY NO.	DWG NO.	REV
SC	PSC208-0330	SAPSC208-0330	-
DO NOT SCALE THIS DRAWING	DRN BY ADAMS	DATE 05/01/14	SHEET - OF -