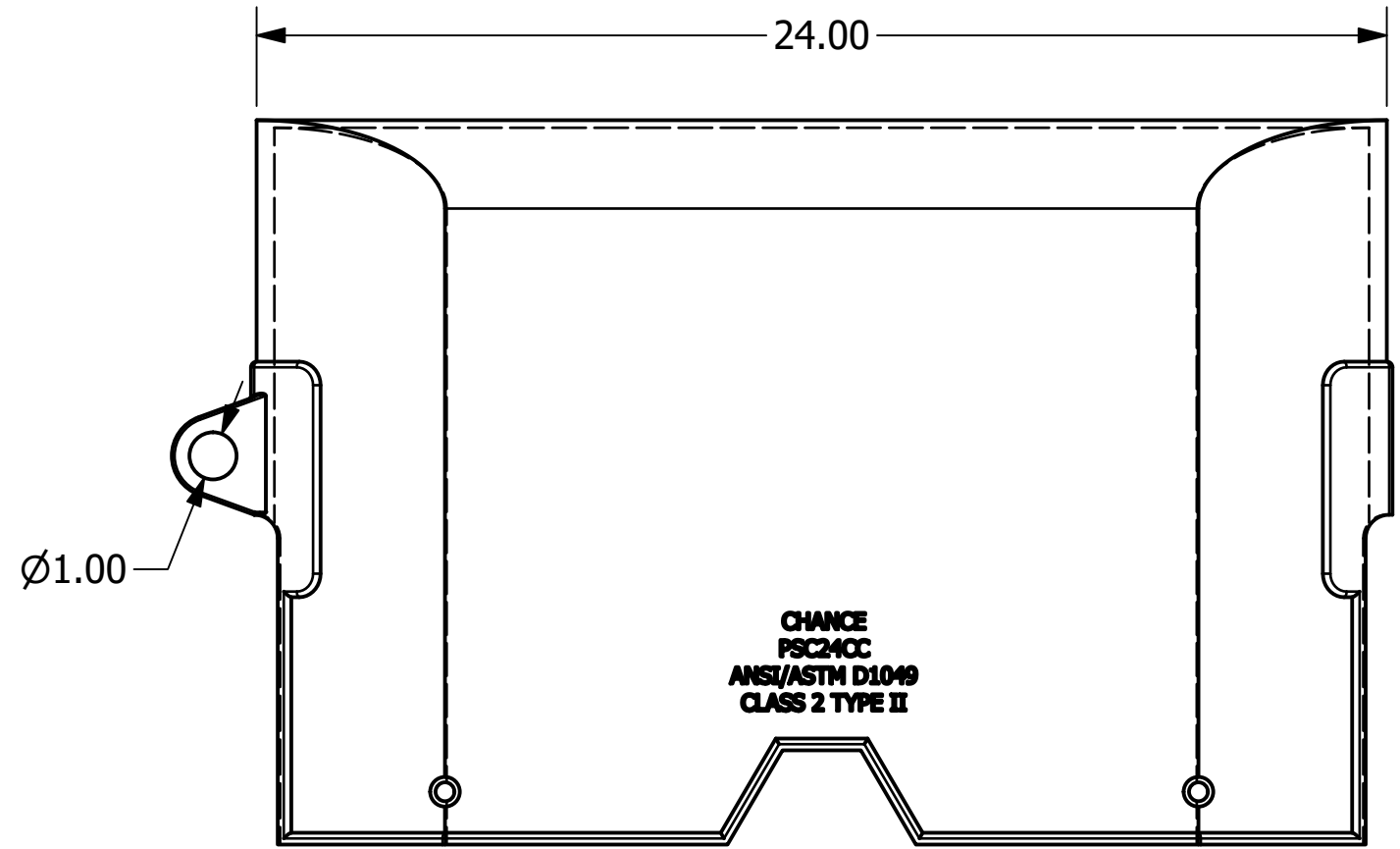
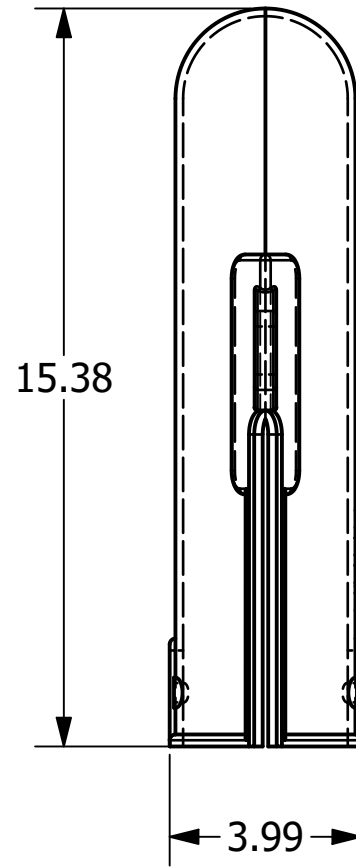
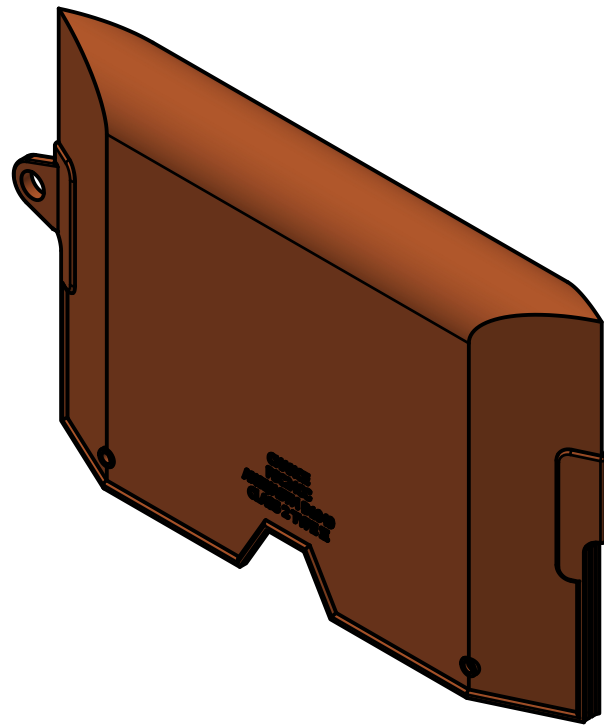


-NOTES-

1. FOR USE ON OVERHEAD CUTOUTS.
2. MEETS OR EXCEEDS ASTM STANDARD SPECIFICATION D1048. CLASS 2 TYPE II.
3. MAT'L: OZONE/CORONA-RESISTANT ELASTOMER.
4. STANDARD PACKAGING QTY. IS 28.
5. WEIGHT: 7 LB.



| | | | | | |
|---|-----------------------|--|--------------|-----------------------------|--|
| CHANCE ® | | HUBBELL ® POWER SYSTEMS, INC. | | HUBBELL POWER SYSTEMS, INC. | |
| CONFIDENTIAL: THIS DRAWING AND ITS CONTENTS ARE CONFIDENTIAL AND THE EXCLUSIVE PROPERTY OF HUBBELL POWER SYSTEMS. NO PUBLICATION, DISTRIBUTION, OR COPIES MAY BE MADE WITHOUT THE WRITTEN CONSENT OF HUBBELL POWER SYSTEMS. HUBBELL POWER SYSTEMS UNPUBLISHED ALL RIGHTS RESERVED UNDER THE COPYRIGHT LAWS. | | TITLE | | | |
| | | 24", CLASS 2, TYPE II RUBBER CUTOUT COVER | | | |
| SIZE | CAT / PART / ASSY NO. | DWG NO. | REV | | |
| B | PSC24CC | SAPSC24CC | A | | |
| DO NOT SCALE THIS DRAWING | DRN BY IMJ | DATE 10/9/2023 | SHEET 1 OF 1 | | |