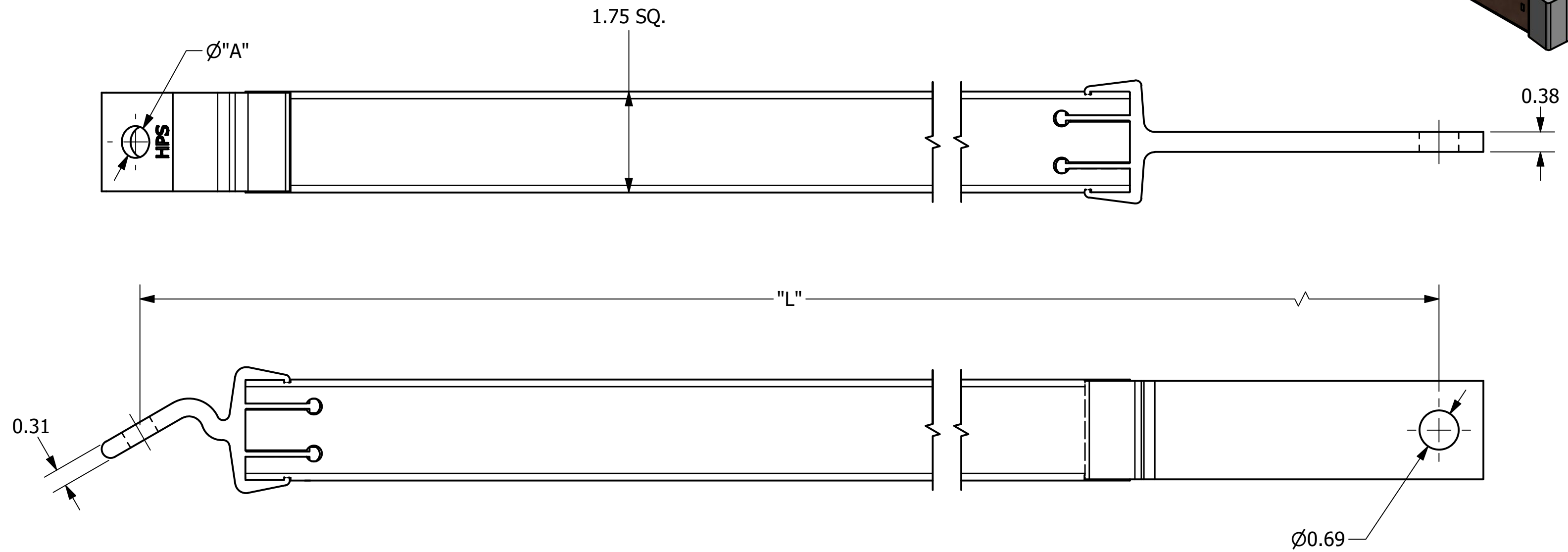
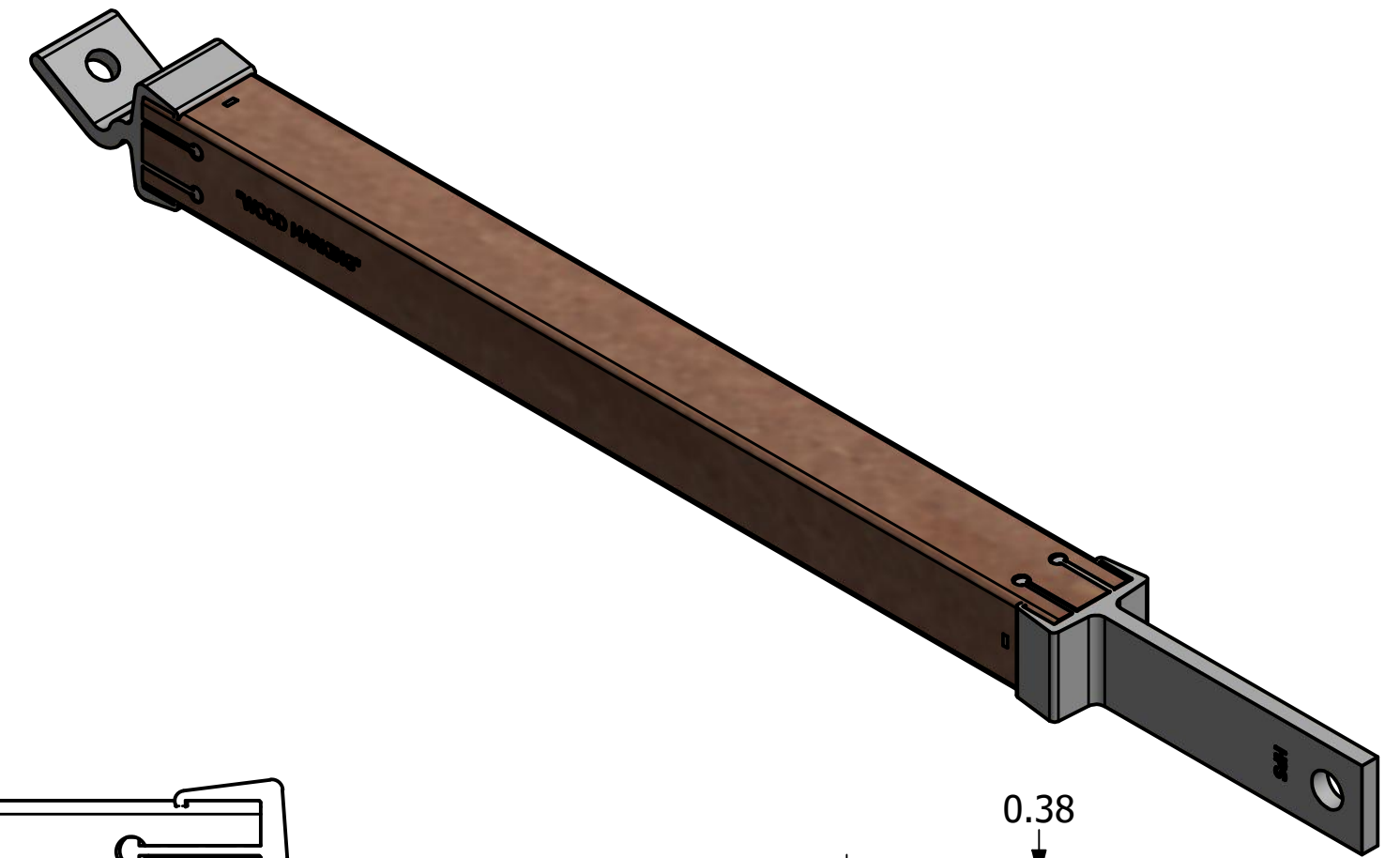


- NOTES -

1. MATERIAL: APITONG WOOD WITH 6061-T6 ALUMINUM END FITTINGS.
2. APITONG WOOD IS PRESSURE TREATED WITH COPPER NEPTHENATE PER AWPA P8.
3. ALUMINUM END FITTINGS ARE PRESSED ON AND CAPTURED WITH A NAIL THROUGH BOTH THE WOOD AND ALUMINUM.



CATALOG NUMBER	CMC/BARFIELD NUMBER	SPAN	DROP	"L"	"A"
CRA4216A1316	BAR4216A1316	42"	16"	26"	0.81"
PSCRA4814	--	48"	14"	28"	0.56"
PSCRA4818	--	48"	18"	30"	0.56"
PSCRA4818A1116	--	48"	18"	30"	0.68"
PSCRA4824	--	48	24"	34"	0.56"
PSCRA6018	BAR6018	60"	18"	35"	0.56"
PSCRA6018A1116	BAR6018A1116	60"	18"	35"	0.68"
PSCRA60265	BAR60265	60"	26.5"	40"	0.56"
PSCRA6030	BAR6030	60"	30"	42"	0.56"
PSCRA7222	--	72"	22"	42"	0.56"
PSCRA7236	BAR7236	72"	36"	51"	0.56
PSCRA9648A1116	BAR9648A1116	96"	48"	68"	0.68"
PSCRA4212	BAR4212	42"	12"	17"	0.56"

CHANCE [®]	HUBBELL [®] HUBBELL POWER SYSTEMS, INC.		
	TITLE REVERSIBLE APITONG BRACE		
CONFIDENTIAL: THIS DRAWING AND ITS CONTENTS ARE CONFIDENTIAL AND THE EXCLUSIVE PROPERTY OF HUBBELL POWER SYSTEMS. NO PUBLICATION, DISTRIBUTION, OR COPIES MAY BE MADE WITHOUT THE WRITTEN CONSENT OF HUBBELL POWER SYSTEMS. HUBBELL POWER SYSTEMS UNPUBLISHED ALL RIGHTS RESERVED UNDER THE COPYRIGHT LAWS.	SIZE C	CAT / PART / ASSY NO. SEE TABLE	DWG NO. SAPSCRA4814
DO NOT SCALE THIS DRAWING	DRN BY TOLIVER	DATE 3/4/20	REV D SHEET 1 OF 1