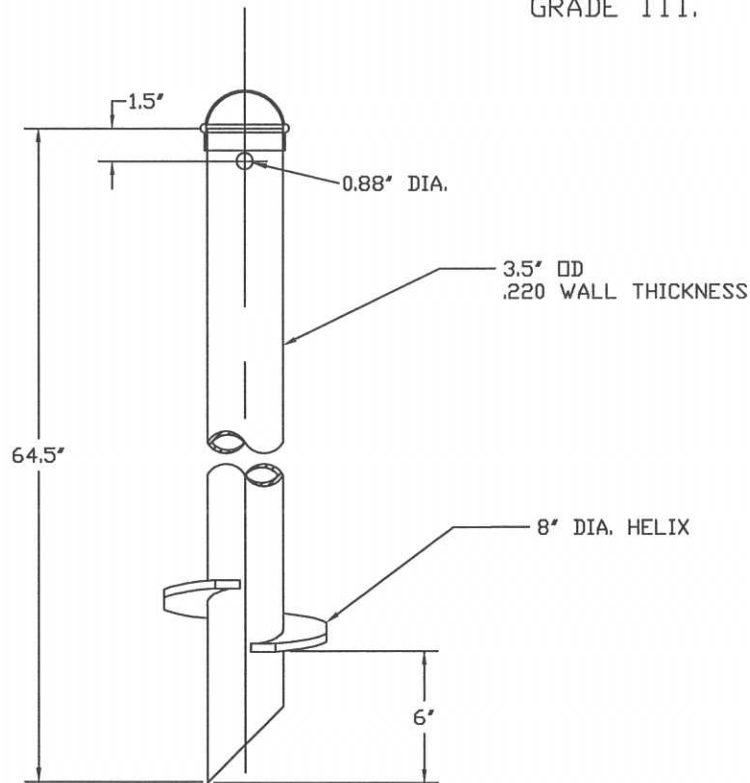


## NOTES

1. HOT DIP GALV. PER ASTM A153-(LATEST REVISION).
2. PIPE MATERIAL PER ASTM A500 GRADE B OR ASTM A618 GRADE III.



CATALOG NUMBER  
T112-0192

CHANCE TOLERANCE CHART		<b>HUBBELL POWER SYSTEMS</b>			
CONFIDENTIAL: THIS DRAWING AND ITS CONTENTS ARE CONFIDENTIAL AND THE EXCLUSIVE PROPERTY OF HUBBELL POWER SYSTEMS. NO PUBLICATION, DISTRIBUTION OR COPIES MAY BE MADE WITHOUT THE WRITTEN CONSENT OF HUBBELL POWER SYSTEMS. HUBBELL POWER SYSTEMS UNPUBLISHED. ALL RIGHTS RESERVED UNDER THE COPYRIGHT LAWS.		TITLE <b>BUMPER POST</b>			
		SIZE	DWG. NO.	CAT / PART / ASSY NO.	REV
		B	SAT112-0192	T112-0192	--
DO NOT SCALE THIS DRAWING		DRN BY TLW	DATE 4/15/11	SHEET 1 OF 1	