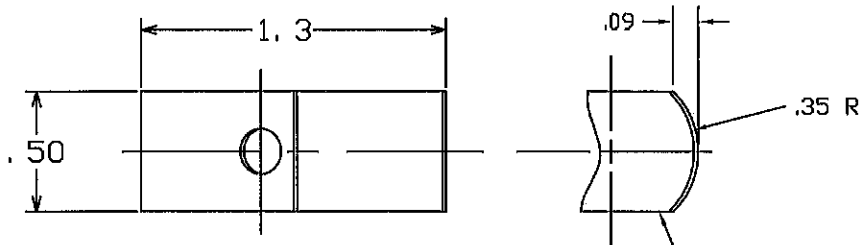
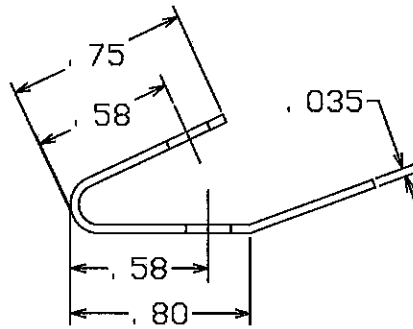


--NOTE--

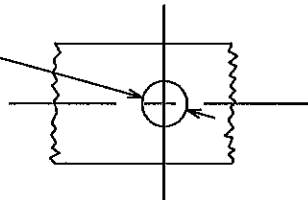
1. MATERIAL: ELECTRO-ZINC PLATED STEEL.
2. MATERIAL: 1/2 HARD ETP COPPER PER ASTM B152.



CATALOG NO.  
CT2050429 ONLY




.19 DIA  
2 PLACES



CATALOG NO.	MATERIAL
T2050450	NOTE-1
T2050429	NOTE-2

CATALOG NUMBERS:  
T2050450 AND T2050429

CHANCE TOLERANCE CHART		 <b>HUBBELL POWER SYSTEMS</b>	
<small>CONFIDENTIAL: THIS DRAWING AND ITS CONTENTS ARE CONFIDENTIAL AND THE EXCLUSIVE PROPERTY OF HUBBELL POWER SYSTEMS. NO PUBLICATION, DISTRIBUTION OR COPIES MAY BE MADE WITHOUT THE WRITTEN CONSENT OF HUBBELL POWER SYSTEMS. HUBBELL POWER SYSTEMS UNPUBLISHED. ALL RIGHTS RESERVED UNDER THE COPYRIGHT LAWS.</small>		TITLE <b>GROUND WIRE CLIP</b>	
SIZE	DWG NO.	CAT / PART / ASSY NO.	REV
DO NOT SCALE THIS DRAWING	SB SAT205-0450	SEE CHART	A
DRN BY LURKINS	DATE 11/12/07	SHEET 01 OF 01	