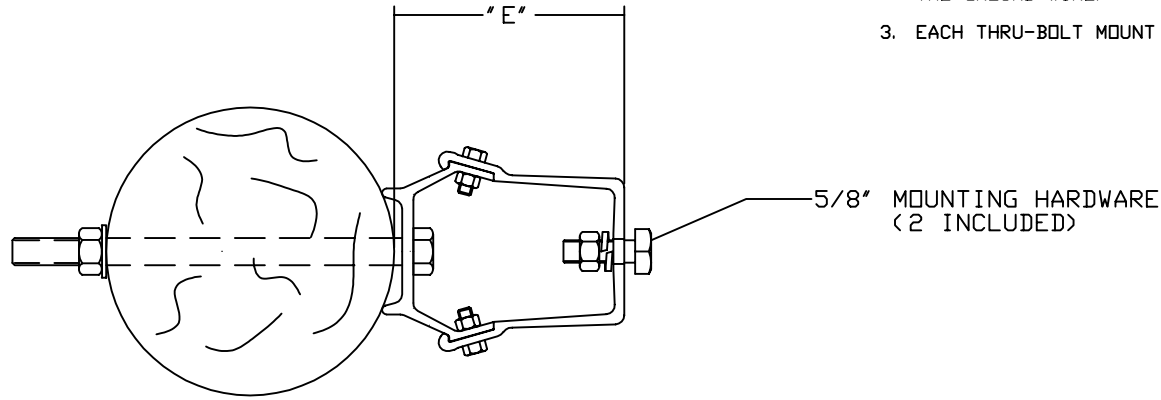
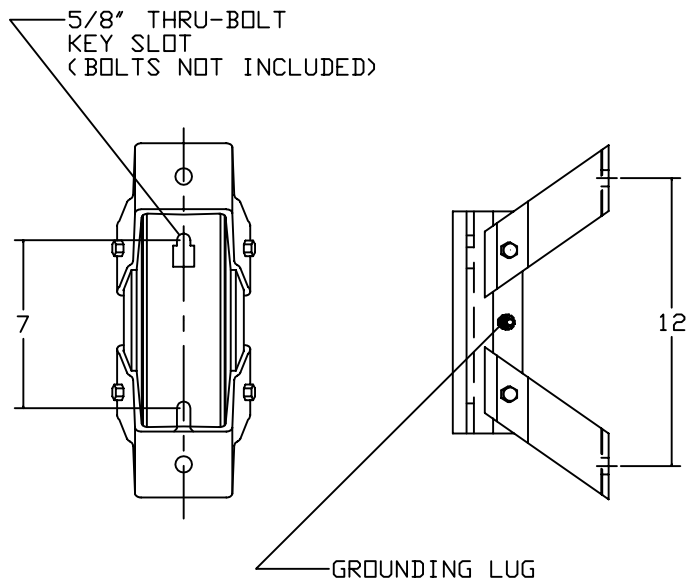


- NOTES -

1. ALL BRACKET MATERIAL IS ALUMINUM. BOLTS, NUTS AND WASHERS ARE GALVANIZED STEEL.
2. ONE STAINLESS STEEL GROUNDING LUG IS ASSEMBLED TO EACH CLUSTER MOUNT. THIS CAN BE RELOCATED AS DESIRED FOR EASY ATTACHMENT OF THE GRND WIRE.
3. EACH THRU-BOLT MOUNT INCLUDES DETAILED INSTALLATION INSTRUCTIONS



TYPICAL TOP VIEW



CAT. NO.	"E" NOMINAL MOUNTING DISTANCE FROM POLE
CTB2M16	6'
CTB2M19	9'

LATEST EC NO:		REV.	DATE	CHANGED BY	RESP ENGINEER
02397		A	2/21/01	QUALLS	LOONEY
				DO NOT SCALE THIS DWG	THIRD ANGLE PROJECTION
				ISO DUAL DIMENSIONS IN=INCH, MM=MILLIMETER	
DRN BY:	DATE	TITLE			SIZE
DPE	3/20/00	MOUNT, THRU-BOLT			C
		DWG NO:		SATB2M1-6	

CONFIDENTIAL - THIS DRAWING AND ITS CONTENTS ARE CONFIDENTIAL AND THE EXCLUSIVE PROPERTY OF HUBBELL. NO PART OF THIS DRAWING IS TO BE REPRODUCED OR TRANSMITTED IN ANY FORM OR BY ANY MEANS, ELECTRONIC OR MECHANICAL, INCLUDING PHOTOCOPYING, RECORDING, OR BY ANY INFORMATION STORAGE AND RETRIEVAL SYSTEM, WITHOUT THE WRITTEN CONSENT OF HUBBELL. ALL RIGHTS RESERVED UNDER THE COPYRIGHT LAWS. © 2002 HUBBELL/A. B. CHANCE. UNPUBLISHED