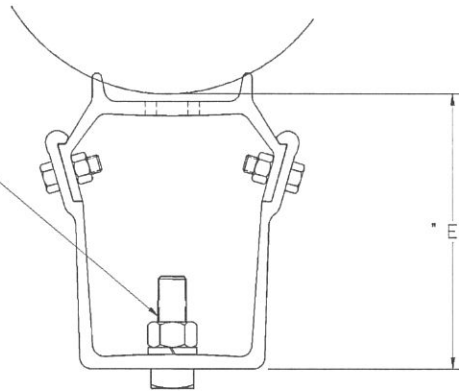
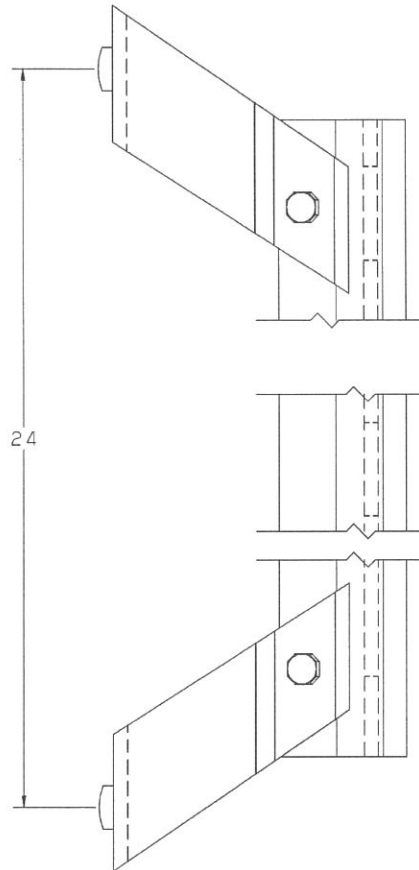
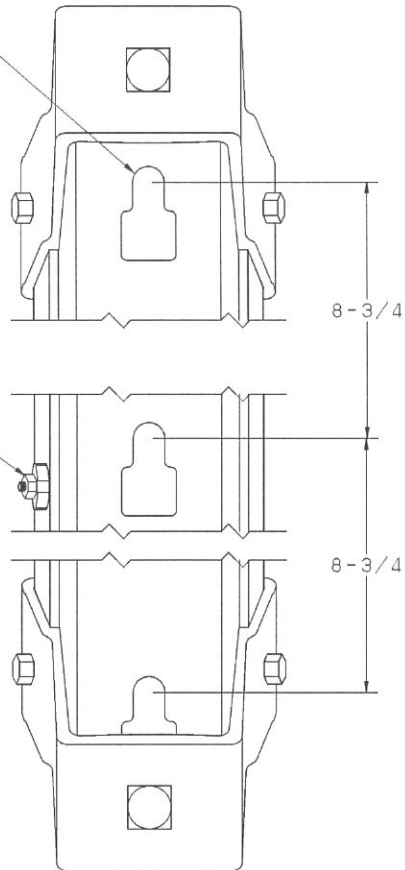


5/8" THREAD, HIGH STRENGTH
3/4" SQ. HEAD BOLT
(2 INCLUDED)



3/4" THRU-BOLT
KEY SLOT
(BOLTS NOT
INCLUDED)



-NOTES-

1. ALL BRACKET MATERIAL IS ALUMIMUM. BOLTS, NUTS AND WASHERS ARE GALVANIZED STEEL.
2. ONE STAINLESS STEEL GROUNDING LUG IS ASSEMBLED TO EACH THRU-BOLT MOUNT. THIS CAN BE RELOCATED AS DSIRD FOR EASY ATTACHMENT OF GROUND LUG.
3. EACH THRU-BOLT MOUNT INCLUDES DETAILED INSTALATION INSTRUCTIONS.

CAT. NO.	"E"
CTB5M1-6	6
CTB5M1-9	9

LATEST EC NO:		REV.	DATE	CHANGED BY	RESP ENGINEER
02584		B	4/11/01	QUALLS	LOONEY
DO NOT SCALE THIS DWG THIRD ANGLE PROJECTION ISO DUAL DIMENSIONS IN=INCH, MM=MILLIMETER					
DRN BY:	DATE	TITLE:			SIZE
DPE	3/29/00	THRU-BOLT MOUNT, 3 BOLT C			C
				DVG NO: SATB5M1-6	

CONFIDENTIAL: THIS DRAWING AND ITS CONTENTS ARE CONFIDENTIAL AND THE EXCLUSIVE PROPERTY OF HUBBELL / A. B. CHANCE COMPANY. NO PUBLICATION, DISTRIBUTION OR COPIES MAY BE MADE WITHOUT WRITTEN CONSENT BY HUBBELL / A. B. CHANCE COMPANY. © 2001 HUBBELL/A. B. CHANCE. UNPUBLISHED - ALL RIGHTS RESERVED UNDER THE COPYRIGHT LAWS