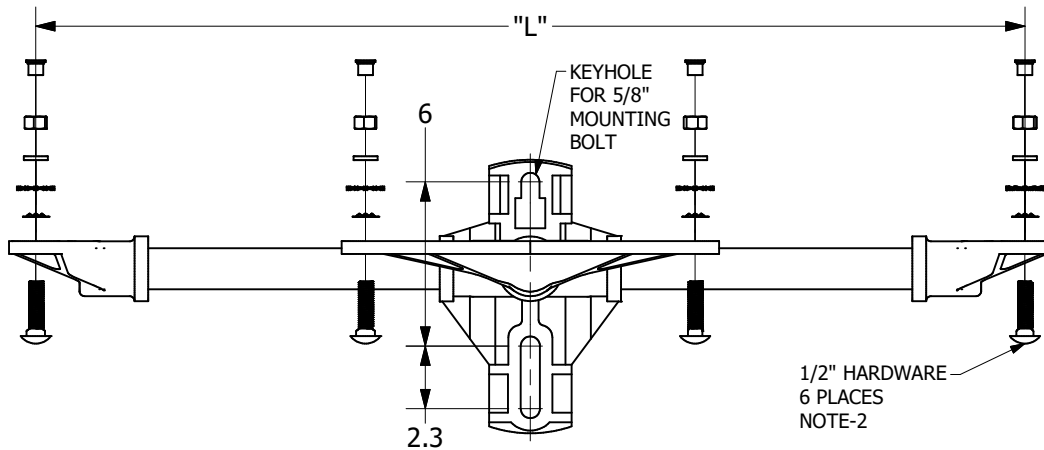
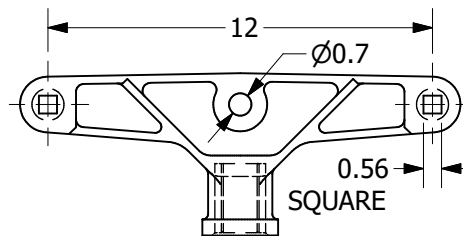
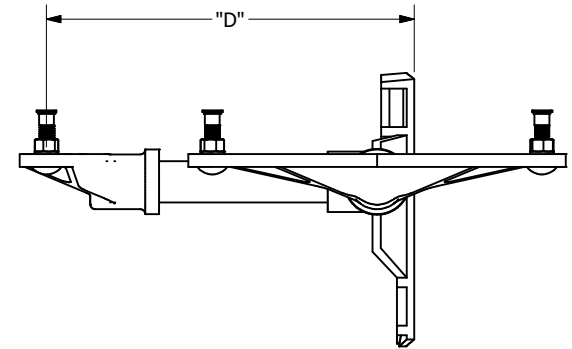


LONGITUDINAL
VERTICAL
TRANSVERSE
LOADING ORIENTATION
(NOTE-3)

CAT. NO.	DESCRIPTION	"L"	"D"	VERTICAL "V" lbs. (kg)	LONGITUDINAL "L" lbs. (kg)	TRANSVERSE "T" lbs. (kg)
3SBM3613CT	STANDOFF WITH CAST "T" END FERRULE	36"	13"	1200 (544)	900 (408)	1500 (680)
3SBM3618CT	STANDOFF WITH CAST "T" END FERRULE	36"	18"	1200 (544)	900 (408)	1500 (680)
3SBM4013CT	STANDOFF WITH CAST "T" END FERRULE	40"	13"	1100 (499)	825 (374)	1500 (680)
3SBM4221CT	STANDOFF WITH CAST "T" END FERRULE	42"	21"	1050 (476)	800 (363)	1500 (680)
3SBM4813CT	STANDOFF WITH CAST "T" END FERRULE	48"	13"	900 (408)	700 (318)	1500 (680)
3SBM4818CT	STANDOFF WITH CAST "T" END FERRULE	48"	18"	900 (408)	700 (318)	1500 (680)
3SBM4824CT	STANDOFF WITH CAST "T" END FERRULE	48"	24"	900 (408)	700 (318)	1500 (680)
3SBM3613CTB	STANDOFF WITH HARDWARE	36"	13"	1200 (544)	900 (544)	1500 (680)
3SBM3618CTB	STANDOFF WITH HARDWARE	36"	18"	1200 (544)	900 (544)	1500 (680)
3SBM4013CTB	STANDOFF WITH HARDWARE	40"	13"	1100 (499)	825 (374)	1500 (600)
3SBM4221CTB	STANDOFF WITH HARDWARE	42"	21"	1050 (476)	800 (363)	1500 (680)
3SBM4813CTB	STANDOFF WITH HARDWARE	48"	13"	900 (408)	700 (318)	1500 (680)
3SBM4818CTB	STANDOFF WITH HARDWARE	48"	18"	900 (408)	700 (318)	1500 (680)
3SBM4824CTB	STANDOFF WITH HARDWARE	48"	24"	900 (408)	700 (318)	1500 (680)



1/2" HARDWARE
6 PLACES
NOTE-2



-NOTES-

- MATERIAL
BASE AND END FITTINGS: CAST ALUMINUM
ROD: 1-1/2" DIAMETER EPOXIROD
- 1/2" HARDWARE INCLUDES 2" BOLT, CARRIAGE BOLT RETAINER, EXT. TOOTH LOCKWASHER, LOCKWASHER, HEX NUT, AND CAPLUG. HARDWARE INCLUDED ON CATALOG NUMBERS WITH A "B" SUFFIX ONLY (EX. 3SBM3613CTB).
- SEE CHART FOR ULTIMATE LOAD RATING.

CHANCE [®]		HUBBELL [®] HUBBELL POWER SYSTEMS, INC.	
CONFIDENTIAL: THIS DRAWING AND ITS CONTENTS ARE CONFIDENTIAL AND THE EXCLUSIVE PROPERTY OF HUBBELL POWER SYSTEMS. NO PUBLICATION, DISTRIBUTION, OR COPIES MAY BE MADE WITHOUT THE WRITTEN CONSENT OF HUBBELL POWER SYSTEMS. HUBBELL POWER SYSTEMS UNPUBLISHED ALL RIGHTS RESERVED UNDER THE COPYRIGHT LAWS.		TITLE STANDOFF, 3 PHASE, 0° "T" END FITTING	
SIZE C	CAT / PART / ASSY NO. SEE CHART	DWG NO. SA3SBM3613CT	REV B
DO NOT SCALE THIS DRAWING	DRN BY CBW	DATE 6/28/2022	SHEET 1 OF 1