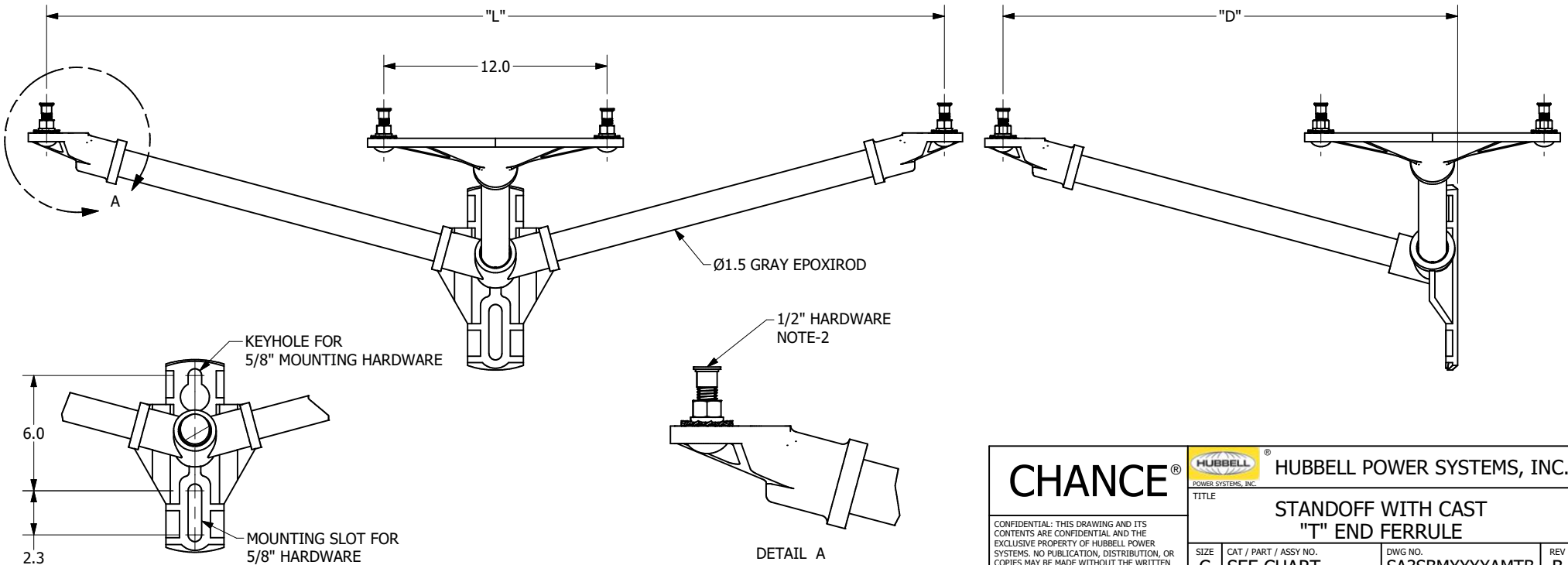
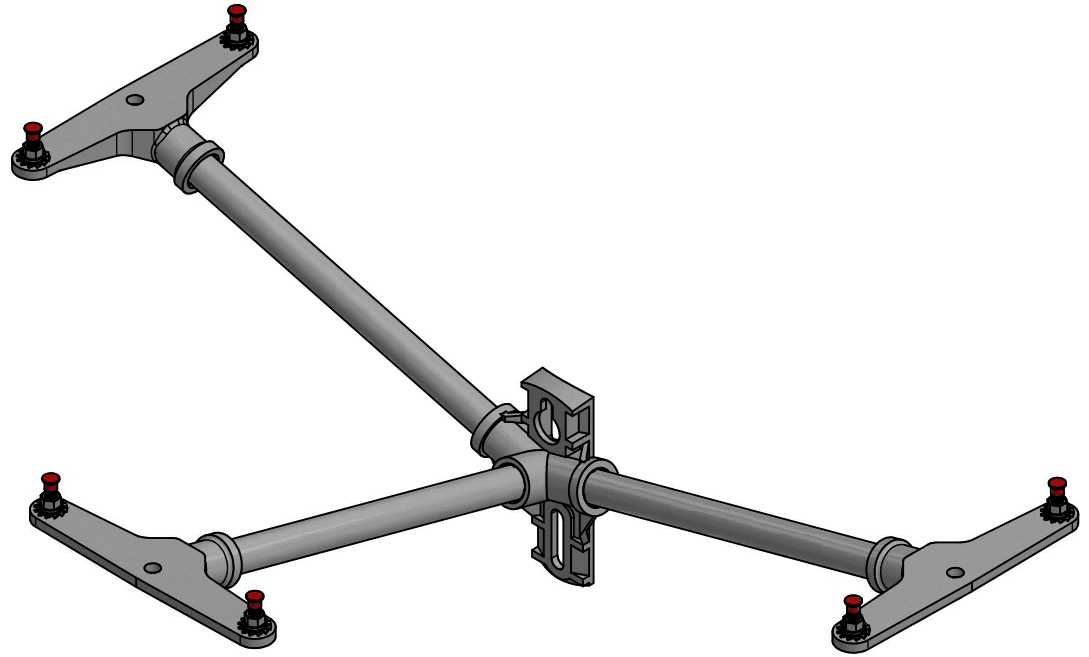


-NOTES-

1. MATERIAL: CAST ALUMINUM BASE AND END FITTINGS
2. 1/2 X 2" CAPTIVE CARRIAGE BOLT, EXT. TOOTH LOCKWASHER, LOCKWASHER, NUT AND CAP INCLUDED ON CATALOG NUMBERS WITH A "B" SUFFIX ONLY
3. FOR SILICONE COATED ROD ADD "SC" SUFFIX TO THE END OF THE CATALOG NUMBER (EX 3SBM3613AMTBSC).

CATALOG NUMBER	"L"	"D"	HARDWARE
3SBM3613AMT	36"	13"	NOT INCLUDED
3SBM3618AMT	36"	18"	NOT INCLUDED
3SBM4013AMT	40"	13"	NOT INCLUDED
3SBM4813AMT	48"	13"	NOT INCLUDED
3SBM4818AMT	48"	18"	NOT INCLUDED
3SBM4824AMT	48"	24"	NOT INCLUDED
3SBM3013AMTB	30"	13"	NOTE-2
3SBM3613AMTB	36"	13"	NOTE-2
3SBM3618AMTB	36"	18"	NOTE-2
3SBM4221AMTB	42"	21"	NOTE-2
3SBM4813AMTB	48"	13"	NOTE-2
3SBM4818AMTB	48"	18"	NOTE-2
3SBM4824AMTB	48"	24"	NOTE-2
3SBM5424AMTB	54"	24"	NOTE-2



<b>CHANCE</b> <sup>®</sup> <small>CONFIDENTIAL: THIS DRAWING AND ITS CONTENTS ARE CONFIDENTIAL AND THE EXCLUSIVE PROPERTY OF HUBBELL POWER SYSTEMS. NO PUBLICATION, DISTRIBUTION, OR COPIES MAY BE MADE WITHOUT THE WRITTEN CONSENT OF HUBBELL POWER SYSTEMS. HUBBELL POWER SYSTEMS UNPUBLISHED ALL RIGHTS RESERVED UNDER THE COPYRIGHT LAWS.</small>	<b>HUBBELL POWER SYSTEMS, INC.</b> <small>POWER SYSTEMS, INC.</small>								
	<b>STANDOFF WITH CAST "T" END FERRULE</b>								
<table border="1"> <tr> <td>SIZE <b>C</b></td> <td>CAT / PART / ASSY NO. <b>SEE CHART</b></td> <td>DWG NO. <b>SA3SBMXXXXAMTB</b></td> <td>REV <b>B</b></td> </tr> <tr> <td>DO NOT SCALE THIS DRAWING</td> <td>DRN BY CBW</td> <td>DATE 10/25/22</td> <td>SHEET 1 OF 1</td> </tr> </table>	SIZE <b>C</b>	CAT / PART / ASSY NO. <b>SEE CHART</b>	DWG NO. <b>SA3SBMXXXXAMTB</b>	REV <b>B</b>	DO NOT SCALE THIS DRAWING	DRN BY CBW	DATE 10/25/22	SHEET 1 OF 1	
SIZE <b>C</b>	CAT / PART / ASSY NO. <b>SEE CHART</b>	DWG NO. <b>SA3SBMXXXXAMTB</b>	REV <b>B</b>						
DO NOT SCALE THIS DRAWING	DRN BY CBW	DATE 10/25/22	SHEET 1 OF 1						