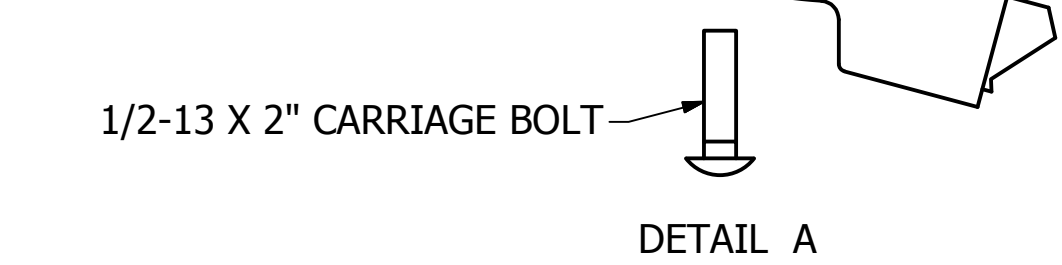
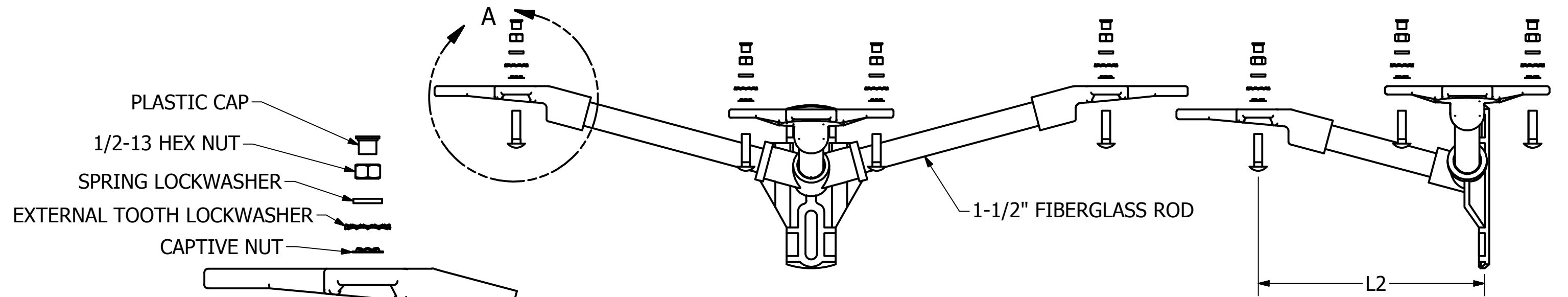


3 POSITION, 3-PHASE BRACKET		
CATALOG NO.	"L1"	"L2"
3SBM3613CLH	36	13
3SBM3618CLH	36	18
3SBM4818CLH	48	18



CHANCE®		HUBBELL POWER SYSTEMS, Inc.	
CONFIDENTIAL: THIS DRAWING AND ITS CONTENTS ARE CONFIDENTIAL AND THE EXCLUSIVE PROPERTY OF HUBBELL POWER SYSTEMS. NO PUBLICATION, DISTRIBUTION OR COPIES MAY BE MADE WITHOUT THE WRITTEN CONSENT OF HUBBELL POWER SYSTEMS. HUBBELL POWER SYSTEMS UNPUBLISHED ALL RIGHTS RESERVED UNDER THE COPYRIGHT LAWS.		TITLE 3 POSITION, 3 PHASE STANDOFF BRACKET	
SIZE SB	CAT / PART / ASSY NO. SEE CHART	DWG NO. SA3SBMxxxxCLH	REV -
DO NOT SCALE THIS DRAWING	DRN BY RAM	DATE 10/10/14	SHEET 1 OF 1