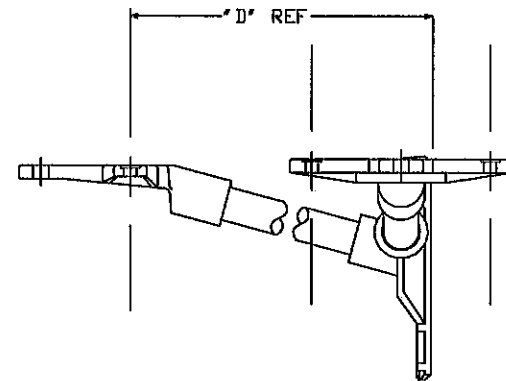


MOUNTING HOLE SPACING  
6" - 8" FOR 5/8" BOLTS



| CAT. NO.     | DESCRIPTION                           | "L" | "D" |
|--------------|---------------------------------------|-----|-----|
| 3SBM3613CLRH | STANDOFF WITH CLOVER LEAF END FERRULE | 36" | 13" |
| 3SBM3618CLRH | STANDOFF WITH CLOVER LEAF END FERRULE | 36" | 18" |
| 3SBM4813CLRH | STANDOFF WITH CLOVER LEAF END FERRULE | 48" | 13" |
| 3SBM4824CLRH | STANDOFF WITH CLOVER LEAF END FERRULE | 48" | 24" |

EC 33346

CHANCE  
TOLERANCE CHART

CONFIDENTIAL: THIS DRAWING AND ITS CONTENTS ARE CONFIDENTIAL AND THE EXCLUSIVE PROPERTY OF HUBBELL POWER SYSTEMS. NO PUBLICATION, DISTRIBUTION OR COPIES MAY BE MADE WITHOUT THE WRITTEN CONSENT OF HUBBELL POWER SYSTEMS. HUBBELL POWER SYSTEMS UNPUBLISHED. ALL RIGHTS RESERVED UNDER THE COPYRIGHT LAWS.



HUBBELL POWER SYSTEMS

TITLE

STANDOFF  
CLOVERLEAF

|                           |                |                       |              |
|---------------------------|----------------|-----------------------|--------------|
| SIZE                      | DWG NO.        | CAT / PART / ASSY NO. | REV          |
| SB                        | SA3SBM3613CLRH | SA3SBM3613CLRH        | --           |
| DO NOT SCALE THIS DRAWING | DRN BY MCLV    | DATE 11/5/09          | SHEET 1 OF 1 |