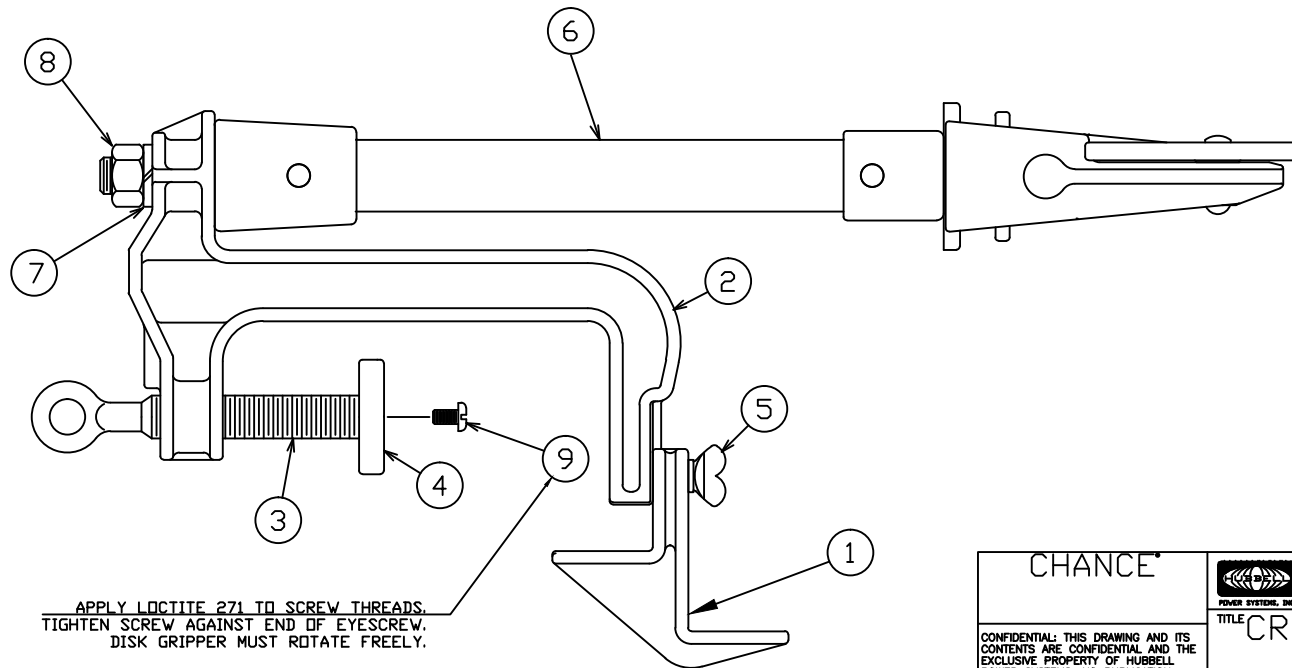


CAT. NO. C4000517  
 CROSSARM CONDUCTOR SUPPORT


PLEASE CONTACT FACTORY OR WEBSITE TO ENSURE CURRENT DRAWING REVISION IS BEING USED.

ONLY COMPETENT EXPERIENCED WORKERS SHOULD PERFORM HOTLINE TOOL REPAIR. IT IS THE RESPONSIBILITY OF THE PERSON PERFORMING THE REPAIR AND/OR THE REPAIR FACILITY TO ENSURE THE REPAIRED TOOL RETAINS MECHANICAL AND ELECTRICAL INTEGRITY PER OSHA REG. NO. 1910.269 (J)(2)(III)(D) BEFORE BEING RETURNED TO SERVICE.

PART NUMBER	ITEM	PART DESCRIPTION	MATERIAL	C4000517
P4001716P	1	RETAINER		1
P4000509P	2	CLAMP		1
P4002704P	3	EYE SCREW		1
P4002705P	4	DISK GRIPPER		1
P4030467P	5	THUMBSCREW		1
E4000513P	6	WIREHOLDER PIN (LRG WH)		1
PSZ0012036P	7	5/8" LOCKWASHER	CAD PL STL	1
066658P	8	HEX NUT, 5/8-11UNC	CAD PL STL	1
P0010735P	9	PAN HD SCR. 1/4-20 X .437		1



APPLY LOCTITE 271 TO SCREW THREADS.  
 TIGHTEN SCREW AGAINST END OF EYESCREW.  
 DISK GRIPPER MUST ROTATE FREELY.

CHANCE		 <b>HUBBELL POWER SYSTEMS</b> <small>POWER SYSTEMS, INC.</small>	
CONFIDENTIAL: THIS DRAWING AND ITS CONTENTS ARE CONFIDENTIAL AND THE EXCLUSIVE PROPERTY OF HUBBELL POWER SYSTEMS. NO PUBLICATION, DISTRIBUTION OR COPIES MAY BE MADE WITHOUT THE WRITTEN CONSENT OF HUBBELL POWER SYSTEMS. HUBBELL POWER SYSTEMS UNPUBLISHED. ALL RIGHTS RESERVED UNDER THE COPYRIGHT LAWS.			
TITLE		CROSSARM CONDUCTOR SUPPORT	
SIZE	DWG NO.	CAT / PART / ASSY NO.	REV
B	SAC4000517P	C4000517	-
DO NOT SCALE THIS DRAWING	DRN BY UTHE	DATE 1-9-12	SHEET 1 OF 1