
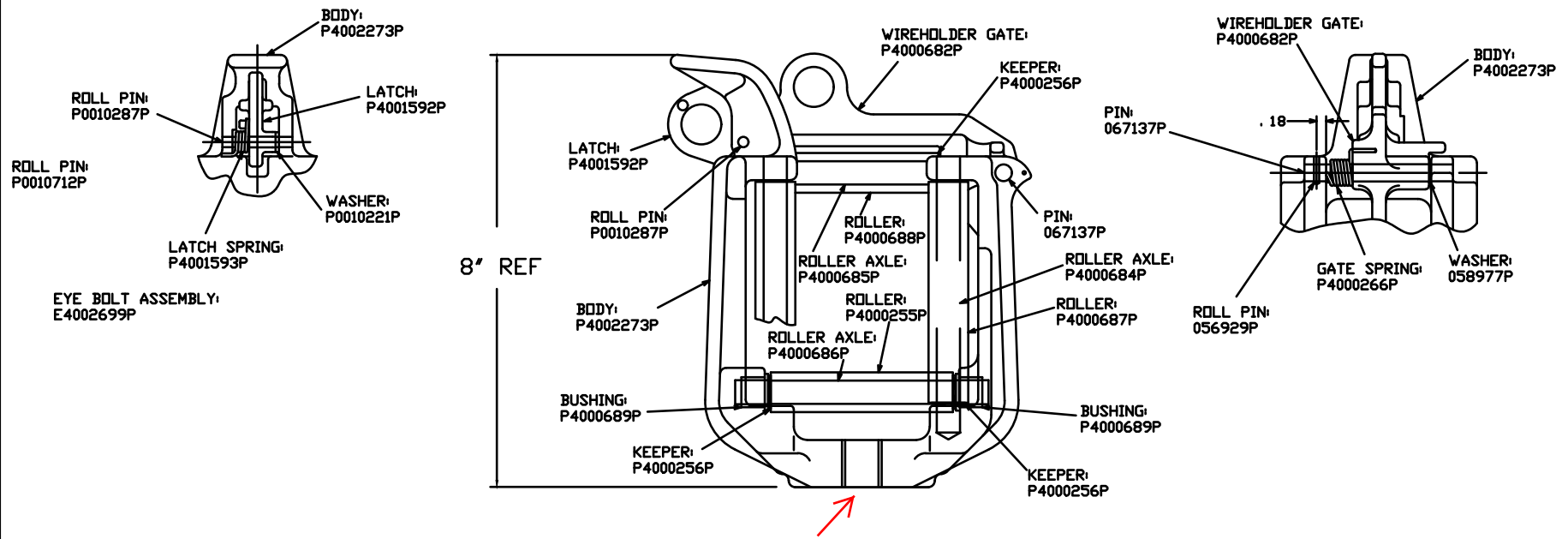



CATALOG NO. C400-1669

Rated Working Load: 500 lbs. Vertical. 100 lbs. Side Load

CHANCE		 HUBBELL POWER SYSTEMS POWER SYSTEMS, INC.	
CONFIDENTIAL: THIS DRAWING AND ITS CONTENTS ARE CONFIDENTIAL AND THE EXCLUSIVE PROPERTY OF HUBBELL POWER SYSTEMS. NO PUBLICATION, DISTRIBUTION OR COPIES MAY BE MADE WITHOUT THE WRITTEN CONSENT OF HUBBELL POWER SYSTEMS. HUBBELL POWER SYSTEMS UNPUBLISHED. ALL RIGHTS RESERVED UNDER THE COPYRIGHT LAWS.		TITLE SINGLE WIREHOLDER ---	
SIZE	DWG NO.	CAT / PART / ASSY NO.	REV
SB	SA400-1669	C400-1669	---
DO NOT SCALE THIS DRAWING	DRN BY GKT	DATE 11/7/16	SHEET 1 OF 1



E4000771P IS THE COMPLETE ASSEMBLY FOR WIREHOLDER HEAD.
 INCLUDES ROLLERS ASSEMBLED.
 BOTTOM HOLE IS TAPPED 3/4-10 UNC-2B
 BOTTOM OF BODY AND BOLT IS DRILLED AND
 ROLL PIN INSTERTED

CHANCE		 HUBBELL POWER SYSTEMS <small>POWER SYSTEMS, INC.</small>	
<small>CONFIDENTIAL: THIS DRAWING AND ITS CONTENTS ARE CONFIDENTIAL AND THE EXCLUSIVE PROPERTY OF HUBBELL POWER SYSTEMS. NO PUBLICATION, DISTRIBUTION OR COPIES MAY BE MADE WITHOUT THE WRITTEN CONSENT OF HUBBELL POWER SYSTEMS. HUBBELL POWER SYSTEMS UNPUBLISHED ALL RIGHTS RESERVED UNDER THE COPYRIGHT LAWS.</small>		TITLE SINGLE WIREHOLDER	
		SIZE B SA4000747	CAT / PART / ASSY NO. SEE CHART
DO NOT SCALE THIS DRAWING	DRN BY RAM	DATE 8/24/17	REV -- SHEET 1 OF 1