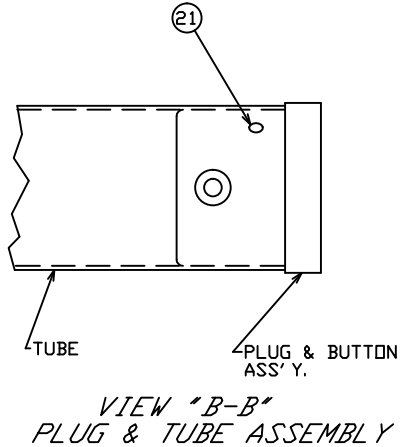
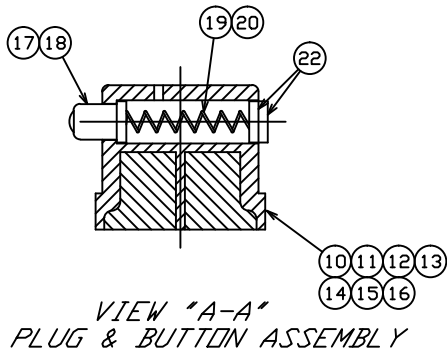


CAT. NO. C403-1022EM



C403-1022EM

PART NUMBER	ITEM	PART DESCRIPTION	
P403-0999P	1	BASE TUBE	1
PSP4032896P	2	TUBE (EM)	1
PSP4032897P	3	TUBE (EM)	1
PSP4032898P	4	TUBE (EM)	1
PSP4032899P	5	TUBE (EM)	1
PSP4032900P	6	TUBE (EM)	1
PSP4032901P	7	TUBE (EM)	1
PSP4032908P	8	POLE	1
P403-1008P	9	BOTTOM CAP	1
P403-1007P	10	PLUG	1
P403-1006P	11	PLUG	1
P403-1005P	12	PLUG	1
P403-1004P	13	PLUG	1
P403-1003P	14	PLUG	1
P403-1002P	15	PLUG	1
P403-1001P	16	PLUG	1
P403-3002P	17	BUTTON	3
P403-3001P	18	BUTTON	4
P403-2351P	19	SPRING, 1.25 LONG	2
P403-2352P	20	SPRING 2.00 LONG	5
P001-0419P	21	PIN, .187 DIA X .375 LG	19
P403-1977P	22	SPRING RETAINER	7
P621-5	23	TOOL BAG	1
P403-0467P	24	THUMBSCREW	1
P001-0309P	25	SELF TAPPING SCR, #8-32	7
M4455-9	28	UNIVERSAL DISCONNECT HD	1
P403-2514P	29	UNIVERSAL POLE HEAD	1

				HUBBELL POWER SYSTEMS POWER SYSTEMS, INC.
TITLE TELESCOPING DISC. AND MEASUR. TOOL				
CONFIDENTIAL: THIS DRAWING AND ITS CONTENTS ARE CONFIDENTIAL AND THE EXCLUSIVE PROPERTY OF HUBBELL POWER SYSTEMS. NO PUBLICATION, DISTRIBUTION OR COPIES MAY BE MADE WITHOUT THE WRITTEN CONSENT OF HUBBELL POWER SYSTEMS. HUBBELL POWER SYSTEMS UNPUBLISHED ALL RIGHTS RESERVED UNDER THE COPYRIGHT LAWS.	SIZE B	DWG NO. SA4031022EM	CAT / PART / ASSY NO. C403-1022EM	REV --
DO NOT SCALE THIS DRAWING	DRN BY RAM	DATE 11/27/13	SHEET 1 OF 1	