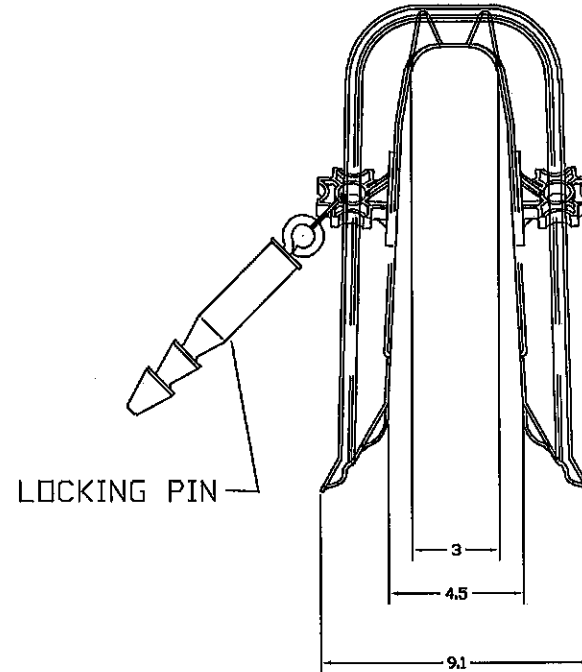
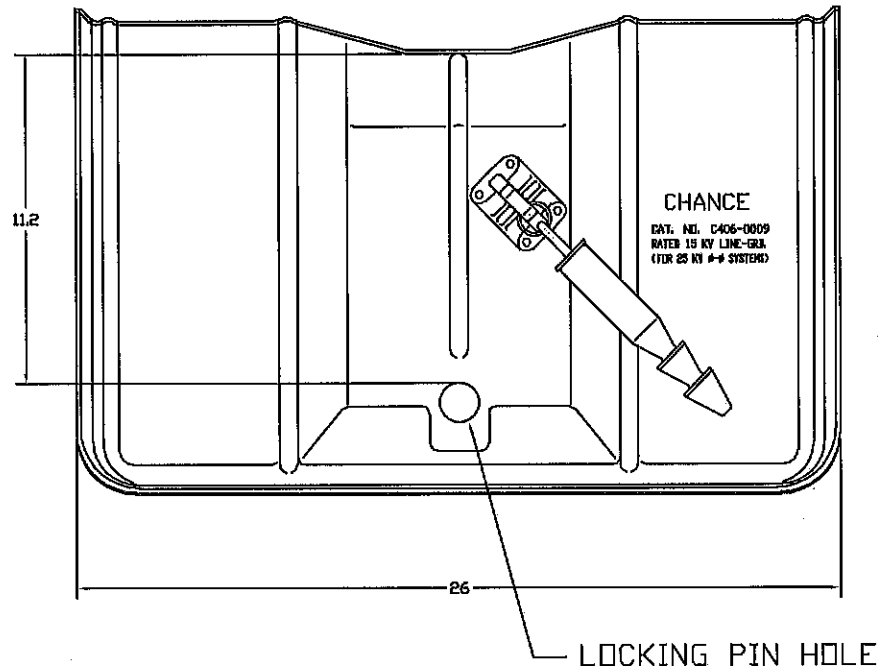


FITS OPEN TYPE CUTOUTS UP TO 25KV. WILL NOT FIT LINK BREAK CUTOUTS.

MATERIAL: ORANGE A.B.S. PLASTIC.

CATALOG NUMBER C406-0009



31221	6/1/69	MCLV	MCKELVV	CHANCE	<b>CHANCE</b> THE GRAPHIC GROUP 100 S. 10TH AVENUE, SUITE 100 DENVER, COLORADO 80202 CONFIDENTIAL THIS DRAWING AND ITS CONTENTS ARE CONFIDENTIAL AND ARE TO BE KEPT AS SUCH. ALL RIGHTS RESERVED UNDER THE COPYRIGHT LAWS.	<b>HUBBELL POWER SYSTEMS</b> CUTOUT COVER		
EG #	DATE	CHG BY	RESP ENG	TITLE				
SIZE OF RUN					SIZE	DWG NO.	QTY / PART / ASSY NO.	REV
CREATED					C	SAC406-0009	C406-0009	---
					250	1/8" SCALE	OWN BY MCLV	DATE 11-14-DB
ISSUED FOR CHANGED								SHEET 1 OF 1
REVISION OF WORK								