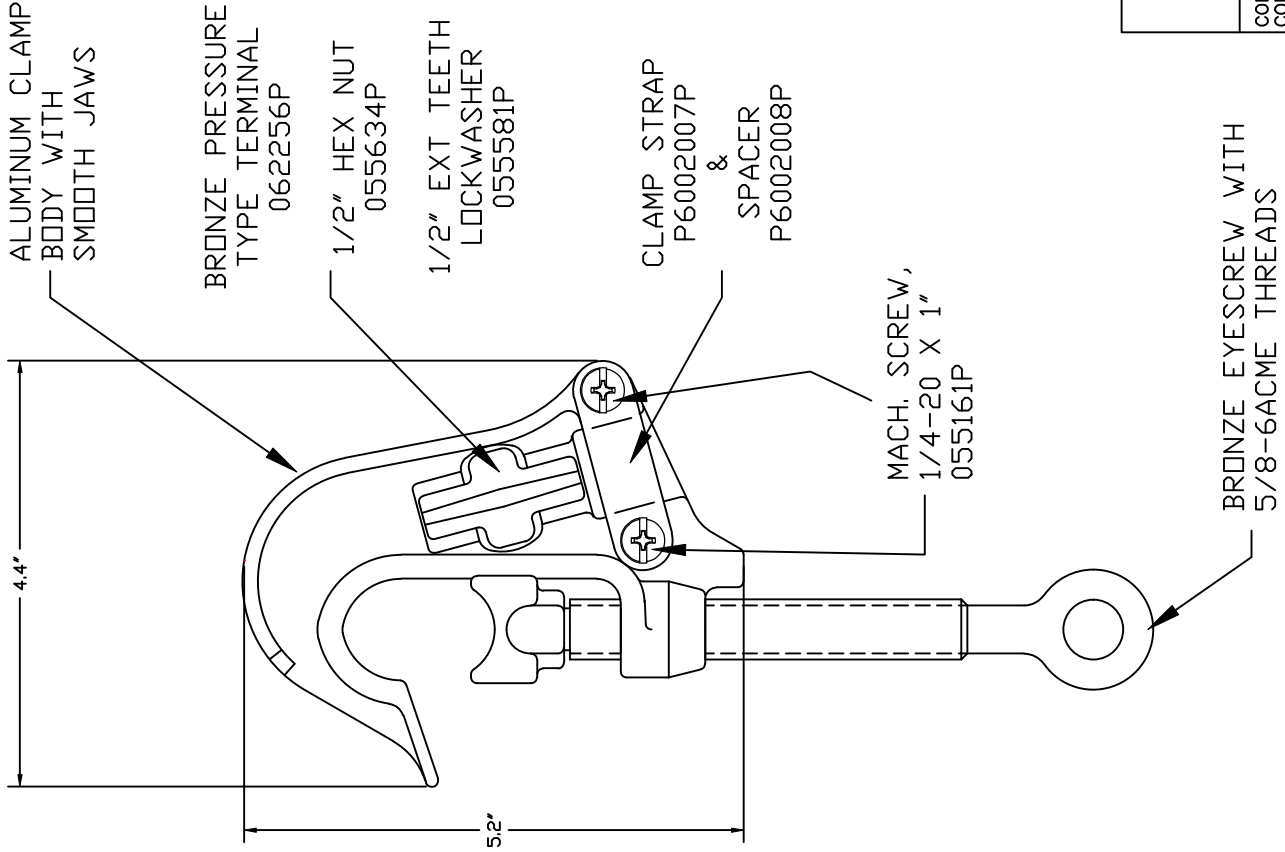


CATALOG NUMBER

G3403



ELECTRICAL RATINGS

Continuous Current (AMPS)	300
Fault Current - 15 Cycles (AMPS)	27,000
Fault Current - 30 Cycles (AMPS)	20,000

MECHANICAL RATINGS

Recommended Torque (in-lb.)	250
Main Line Range - Max.	.998" DIAMETER, 750kcmil Str. Cu. 636 kcmil ACSR
Main Line Range - Min.	.128" DIAMETER, #8 Sol. Cu.
Jumper Range - Max.	2/0 Grd. Cable w/ Plain Plug
Jumper Range - Min.	#2 Grd. Cable w/ Plain Plug
ASTM Designation	Type I, Class A, Grade 3

CHANCE



HUBBELL® POWER SYSTEMS

TITLE

GROUND CLAMP

CONFIDENTIAL: THIS DRAWING AND ITS CONTENTS ARE CONFIDENTIAL AND THE EXCLUSIVE PROPERTY OF HUBBELL POWER SYSTEMS. NO PUBLICATION, DISTRIBUTION OR COPIES MAY BE MADE WITHOUT THE WRITTEN CONSENT OF HUBBELL POWER SYSTEMS. UNPUBLISHED HUBBELL POWER SYSTEMS RESERVED UNDER THE COPYRIGHT LAWS.

SIZE C
DWG NO. SAG3403
DO NOT SCALE THIS DRAWING

CAT / PART / ASSY NO. G3403

REV A
DATE 01/23/20
SHEET 1 OF 1