

EXAMPLE CATALOG NUMBER

GS 30 012 PP SC

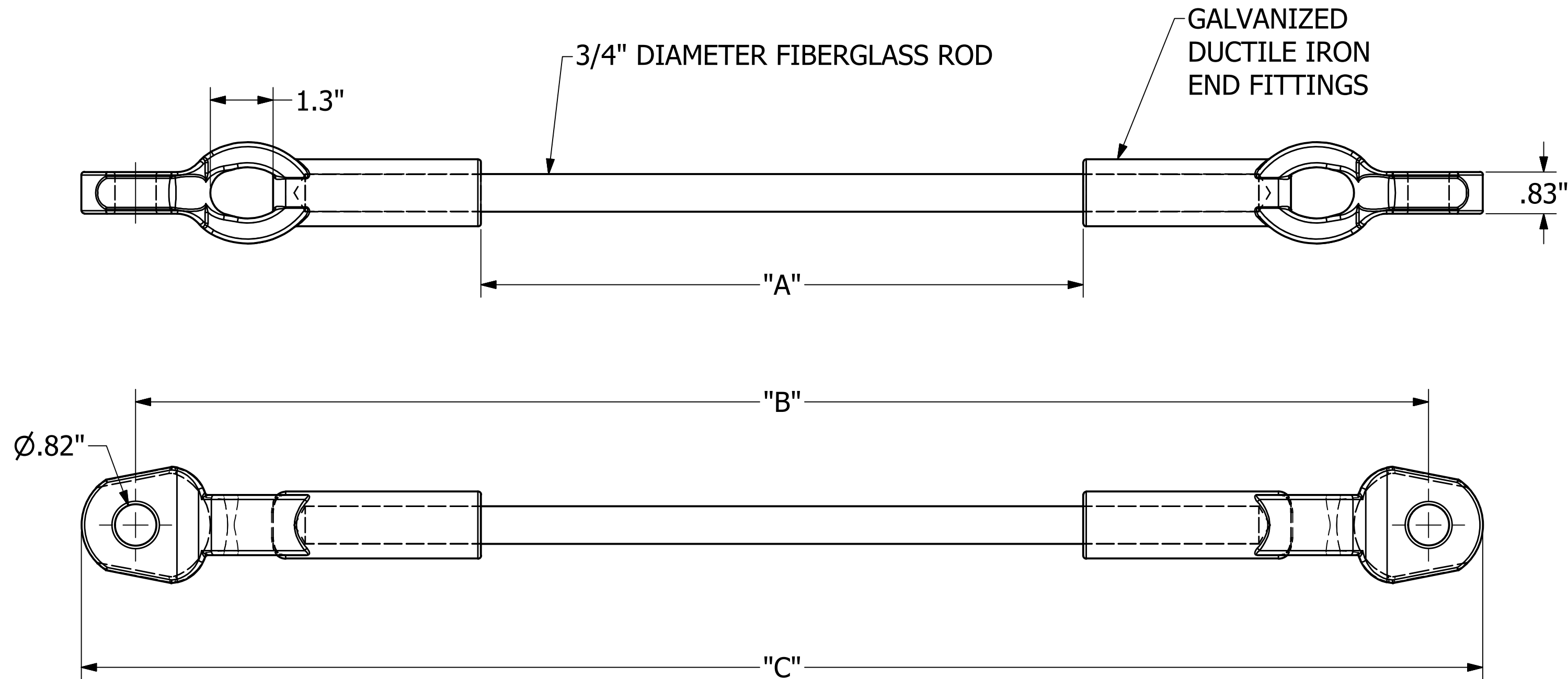
(SML) LOAD RATING

ADD SC AT END OF PART NUMBER FOR SILICONE COATED ROD

LENGTH BETWEEN END FITTINGS PER TABLE "A" INCHES

THIMBLE EYE / THIMBLE EYE END FITTINGS

" A "	" B "	" C "
012	26"	28.2"
018	32"	34.2"
024	38"	40.2"
030	44"	46.2"
036	50"	52.2"
042	56"	58.2"
048	62"	64.2"
054	68"	70.2"
060	74"	76.2"
072	86"	88.2"
078	92"	94.2"
084	98"	100.2"
090	104"	106.2"
096	110"	112.2"
108	122"	124.2"
120	134"	136.2"
144	158"	160.2"



CF THIS SYMBOL IDENTIFIES CRITICAL FEATURES

CHANCE®		HUBBELL® POWER SYSTEMS, INC.	
TITLE 30K GUY STRAIN, THIMBLE EYE - THIMBLE EYE			
SIZE C	CAT / PART / ASSY NO. SEE CHARTS	DWG NO. GS30xxxPP	REV A
DO NOT SCALE THIS DRAWING	DRN BY TLK	DATE 9/27/19	SHEET 1 OF 1

CONFIDENTIAL: THIS DRAWING AND ITS CONTENTS ARE CONFIDENTIAL AND THE EXCLUSIVE PROPERTY OF HUBBELL POWER SYSTEMS. NO PUBLICATION, DISTRIBUTION, OR COPIES MAY BE MADE WITHOUT THE WRITTEN CONSENT OF HUBBELL POWER SYSTEMS. HUBBELL POWER SYSTEMS UNPUBLISHED ALL RIGHTS RESERVED UNDER THE COPYRIGHT LAWS.