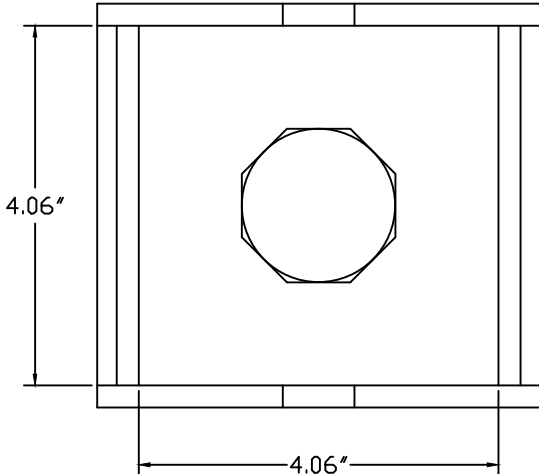
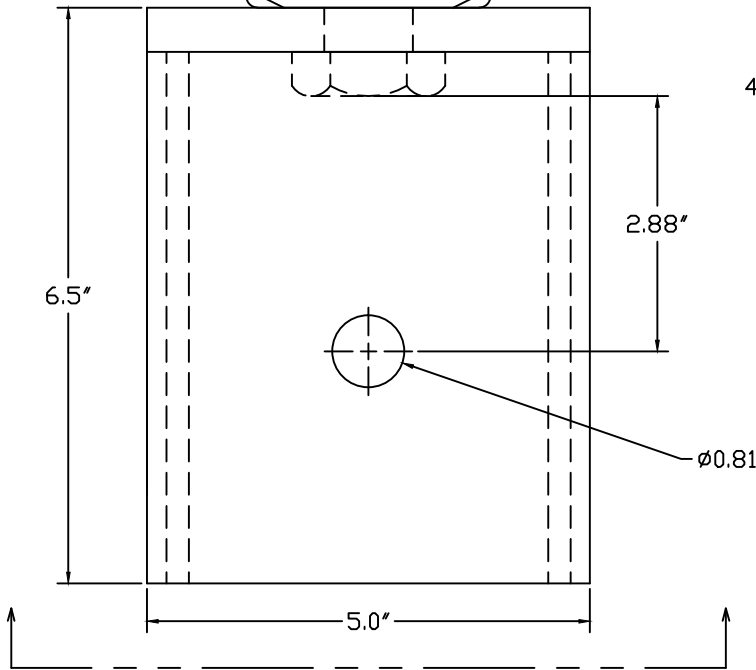

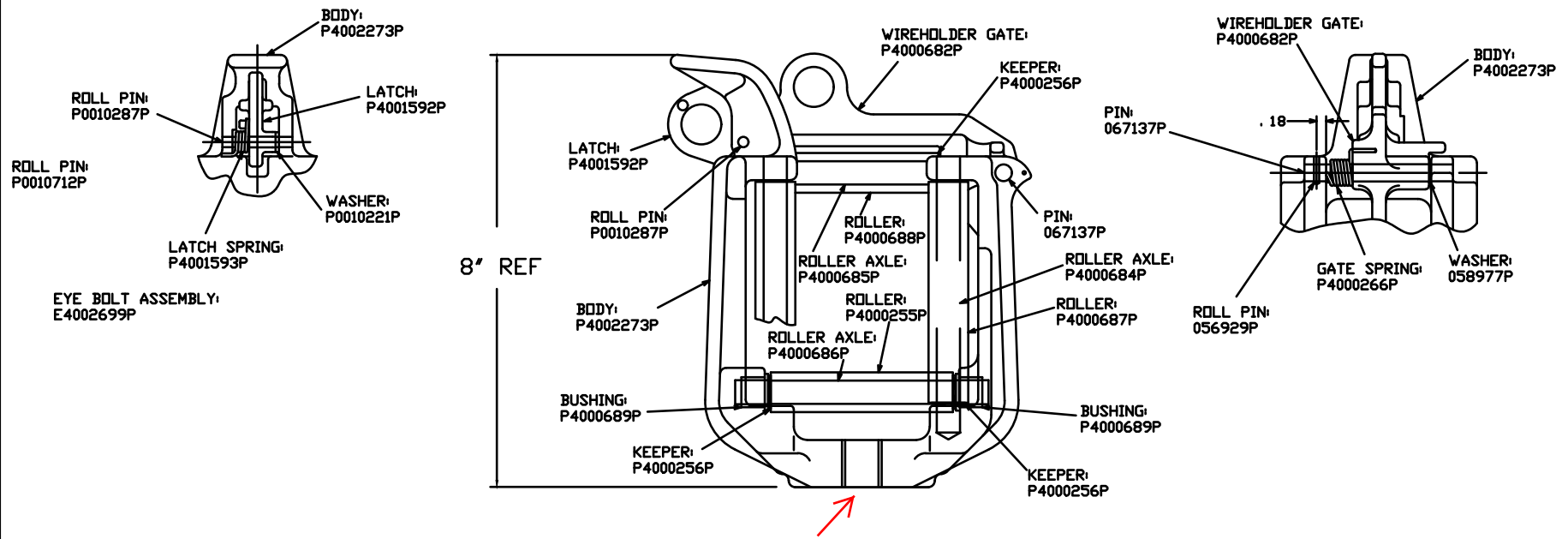


LARGE ROLLER WIREHOLDER
CAT. NO. E4002228P




CAT. NO. PST4002856

CHANCE [®]		 HUBBELL[®] POWER SYSTEMS POWER SYSTEMS, INC.		
CONFIDENTIAL: THIS DRAWING AND ITS CONTENTS ARE CONFIDENTIAL AND THE EXCLUSIVE PROPERTY OF HUBBELL POWER SYSTEMS. NO PUBLICATION, DISTRIBUTION OR COPIES MAY BE MADE WITHOUT THE WRITTEN CONSENT OF HUBBELL POWER SYSTEMS. HUBBELL POWER SYSTEMS' UNPUBLISHED ALL RIGHTS RESERVED UNDER THE COPYRIGHT LAWS.		TITLE WIREHOLDER ASSEMBLY		
SIZE	DWG NO.	CAT / PART / ASSY NO.		REV
C	SA-PST4002856	PST4002856		---
DO NOT SCALE THIS DRAWING		DRN BY UTHE	DATE 9-23-11	SHEET 1 OF 1



E400228P IS THE COMPLETE ASSEMBLY FOR WIREHOLDER HEAD.
 INCLUDES ROLLERS ASSEMBLED.
 BOTTOM HOLE IS 1.031 INCH DIAMETER, DRILLED THROUGH, NO THREADS

CHANCE		 HUBBELL POWER SYSTEMS <small>POWER SYSTEMS, INC.</small>	
<small>CONFIDENTIAL: THIS DRAWING AND ITS CONTENTS ARE CONFIDENTIAL AND THE EXCLUSIVE PROPERTY OF HUBBELL POWER SYSTEMS. NO PUBLICATION, DISTRIBUTION OR COPIES MAY BE MADE WITHOUT THE WRITTEN CONSENT OF HUBBELL POWER SYSTEMS. HUBBELL POWER SYSTEMS UNPUBLISHED ALL RIGHTS RESERVED UNDER THE COPYRIGHT LAWS.</small>		<small>TITLE</small> SINGLE WIREHOLDER	
		<small>SIZE</small> B	<small>DWG NO.</small> SA4000747
<small>DO NOT SCALE THIS DRAWING</small>		<small>CAT / PART / ASSY NO.</small> SEE CHART	<small>REV</small> --
<small>DRN BY</small> RAM		<small>DATE</small> 8/24/17	<small>SHEET 1 OF 1</small>