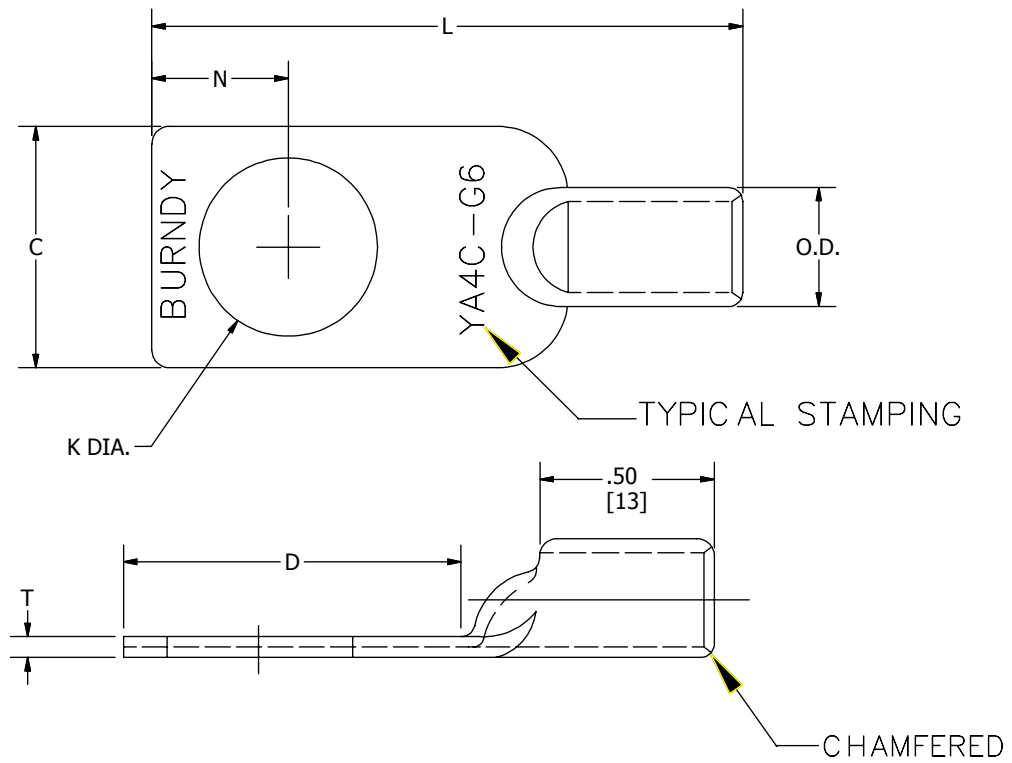


CATALOG NUMBER	CONDUCTOR	STUD SIZE	O.D.	B	C	D	K	L	N	T	HYPRESS™ Y29B		WASHER O.D.	REFERENCE DRAWINGS
											NEST	INDENTOR		
YA4C-G6	91/24 (.220 DIA.)	10	.34 [9]	.50 [13]	.50 [13]	.56 [14]	.20 [5]	1.25 [32]	.25 [6]	.09 [2]	DV4L	Y29PL	.56 [14]	-----
YA4C-G7		1/4			.50 [13]	.56 [14]	.28 [7]	1.25 [32]	.25 [6]	.09 [2]			.62 [16]	FA21816
YA4C-G8		5/16			.58 [15]	.75 [19]	.34 [9]	1.44 [37]	.31 [9]	.07 [2]			.69 [18]	FA21774
YA4C-G9		3/8			.58 [15]	.87 [22]	.40 [10]	1.60 [41]	.41 [10]	.08 [2]			.81 [21]	FA21775
YA4C-G10		1/2			.70 [18]	1.00 [25]	.53 [13]	1.69 [43]	.39 [10]	.06 [2]			1.06 [27]	FA21776

REV	DATE	DESCRIPTION	ECO	BY	CHK.
B	01/02/2014	SALES DRAWING RELEASED	34489	RK	MB



NOTES:

1. MATERIAL: COPPER
2. FINISH: TIN PLATED
3. DIMENSIONS IN BRACKETS [] ARE IN MILLIMETERS ROUNDED OFF TO NEAREST MILLIMETER, UNLESS OTHERWISE NOTED, AND ARE FOR REFERENCE ONLY.

TO ORDER BURNDY® PRODUCTS CALL		HYLUG™	
UNITED STATES		DRAWING NO	
1-800-346-4175 (LONDONDERRY, NH)		SC020656	
CANADA:		REV	
1-800-361-6975 (QUEBEC)		B	
1-800-387-6487 (ALL OTHER PROVINCES)		SHEET 1 OF 1	
FOR PRODUCT INFO: http://www.burndy.com		REL LEVEL: Released	
ITEM NO: N/A		CAT. NO: YA4C-G- (TABLE)	
DRAWN BY: rkonathala		01/02/2014	
CHECKER: --		02/11/2014	
DSN APRVL: J Michaud		02/21/2014	
MFG APRVL: --		01/08/2014	
QA APRVL: C Kowalczyk		02/21/2014	
MKT APRVL: J Sywia		02/21/2014	
PROJECT #: --		SIZE	
DOCUMENT TYPE: SALES		B	
REL LEVEL: Released		B	