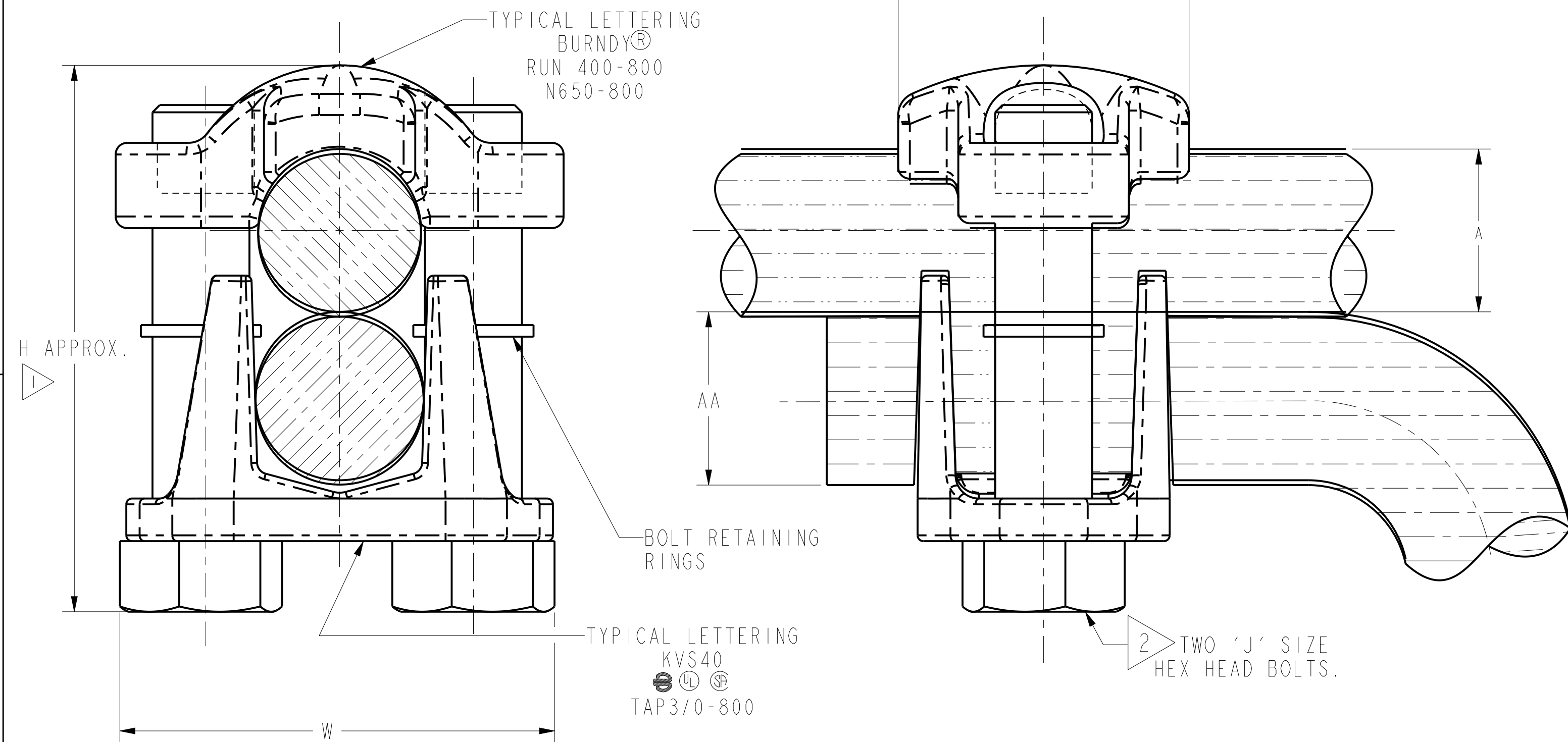


CONDUCTOR RANGE			CAT. NO.	C	H (APPROX.)	J	W	RECOMMENDED TIGHTENING TORQUE	WRENCH SIZE (CROSS FLATS)
MINIMUM RUN 'A'	MINIMUM TAP 'AA'	MAXIMUM RUN & TAP							
2 STR. (.292)	6 SOL (.162)	2/0 STR. (.419)	KVS26	1.06	1.74	5/16-18X1 1/2LG	1.56	180	1/2
1/0 STR. (.373)	10 STR. (.116)	4/0 STR. (.528)	KVS28	1.04	1.82	3/8-16X1 3/4LG	1.67	250	9/16
250 kcmil (.575)	10 STR. (.116)	350 kcmil (.681)	KVS31	1.38	2.38	1/2-13X2LG	2.12	325	3/4
400 kcmil (.728)	10 STR. (.116)	500 kcmil (.813)	KVS34	1.34	2.65	1/2-13X2 1/4LG	2.20	375	3/4
400 kcmil (.728)	3/0 STR. (.470)	800 kcmil (1.031)	KVS40	1.62	3.19	1/2-13X2 1/2LG	2.50	500	3/4
500 kcmil (.813)	3/0 STR. (.470)	1000 kcmil (1.152)	KVS44	2.00	3.71	5/8-11X2 3/4 LG	3.03	500	15/16

REV	DATE	DESCRIPTION	ECO	BY	C'H'K.
C	01/27/2014 00:00:00 AM	UPDATED AS PER MARKUP	32655	SAV	MB



NOTES:

- BEFORE COMPRESSION WITH MAX. CONDUCTORS IN PLACE.
- STANDARD BOLT MATERIAL IS DURIUM (SILICON BRONZE). OPTIONAL, SAME SIZE, 18-8 STAINLESS STEEL AND GALVANIZED STEEL BOLTS ARE ALSO AVAILABLE. SPECIFY-SS OR -GS RESPECTIVELY, ON END OF CATALOG NUMBER FOR OTIONAL BOLTS.
- SUFFIX "TN" DENOTES TIN PLATING.
- TO ENSURE PROPER TIGHTENING USE BURNDY® BTW TORQUE WRENCHES

REFERENCE: FD061942

SUPERSEDES SC017553

TO ORDER BURNDY® PRODUCTS CALL
 UNITED STATES:
 1-800-346-4175 (LONDONDERRY, NH)
 CANADA:
 1-800-361-6975 (QUEBEC)
 1-800-387-6487 (ALL OTHER PROVINCES)
 FOR PRODUCT INFO: <http://www.burndy.com>

SERVICE CONNECTORS	
ITEM NO:	N/A
CAT. NO:	KVS-(TABLE)
DRAWN BY:	MAP 8-10-62
CHECKER:	ERD 8-14-62
DSN APPVL:	--
MFG APPVL:	--
QA APPVL:	--
MKT APPVL:	--
PROD FAM:	--
PROJECT #:	--
DOCUMENT TYPE:	Sales
REL LEVEL:	Released

BURNDY

SCALE:	1:1
DRAWING NO	SC052062-01
REV	C
SHEET	1 OF 1

REV: PE0200