

CATALOG NUMBER	CONDUCTOR RANGE ACCOMMODATED								H	L	L-L	W	INSTALLATION DATA				FIG. NO.	
	ACSR				CU. OR ALUM.								DIE INDEX	HYTOOL™ WITH NO. OF CRIMPS	HYPRES™ WITH NO. OF CRIMPS	DIE INSERT		DIE SET
	AWG, Kcmil				AWG, Kcmil													
	MIN.	STR.	MAX.	STR.	MIN.	STR.	MAX.	STR.										
YCB2U3G1	#6 (.198)	6-1	#2 (.325)	7-1	#6 (.184)	7	#3 (.260)	7	1.30	1.50	2.50	.72	0	W-0	4	U-0	1	1
YCB26AU2G1	#3 (.281)	6-1	1/0 (.398)	6-1	#2 (.292)	7	2/0 (.419)	19	1.30	1.50	2.50	.72	0	W-0	4	U-0	1	1
YCB27AU2G1	1/0 (.398)	6-1	2/0 (.447)	6-1	1/0 (.372)	19	3/0 (.470)	19	1.70	1.69	2.69	.97	D3	---	--	U-D3	1	1
YCB28U2G1	3/0 (.502)	6-1	4/0 (.563)	6-1	4/0 (.528)			19	1.70	1.69	2.69	.97	D3	---	--	U-D3	1	1
YCB33R26UG2	266.8 (.609)	18-1	397.5 (.743)	18-1	250 (.575)	37	400 (.728)	37	2.28	2.12	---	1.31	D3	---	--	U33YPCT	2	2

REV	DATE	DESCRIPTION	ECO	BY	C'H'K.
C	05/08/2017 00:00:00 AM	LOGO UPDATION	46695	BK	MB

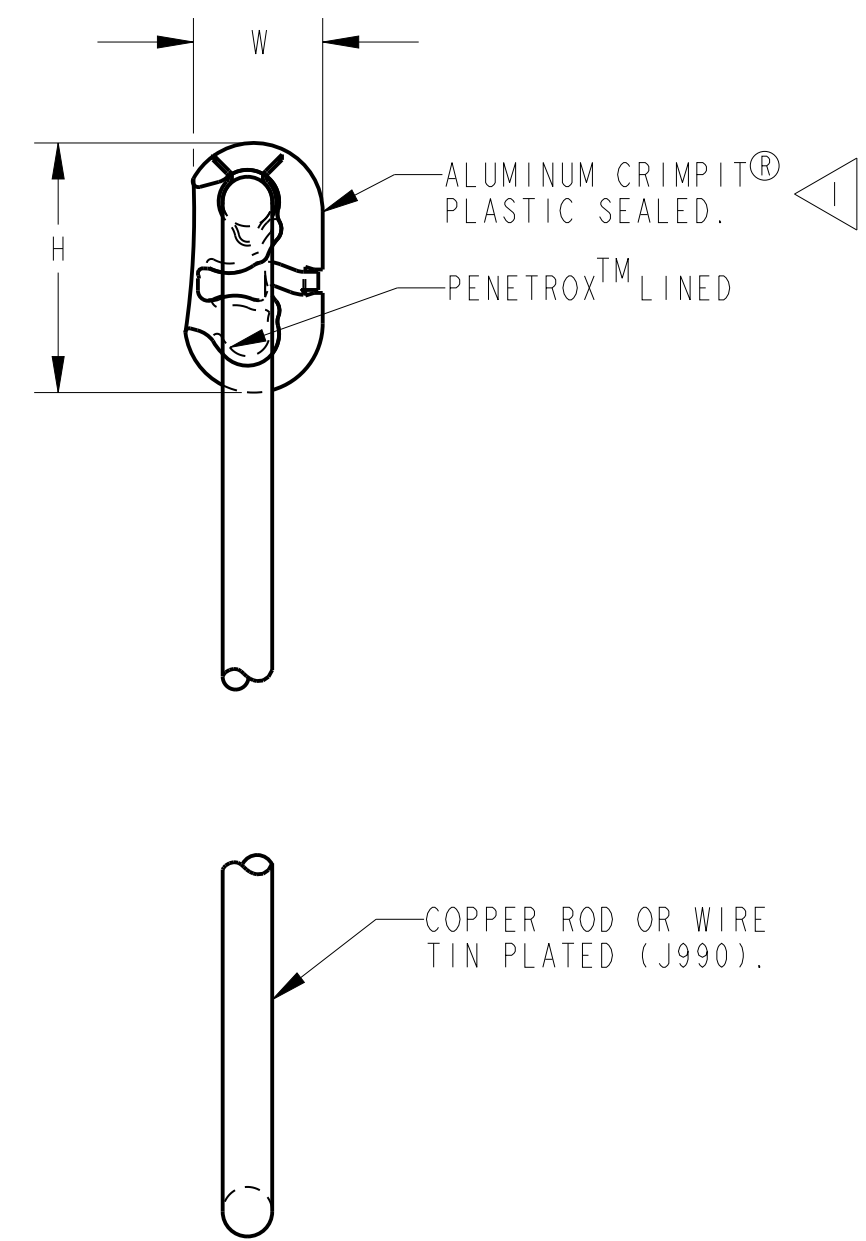
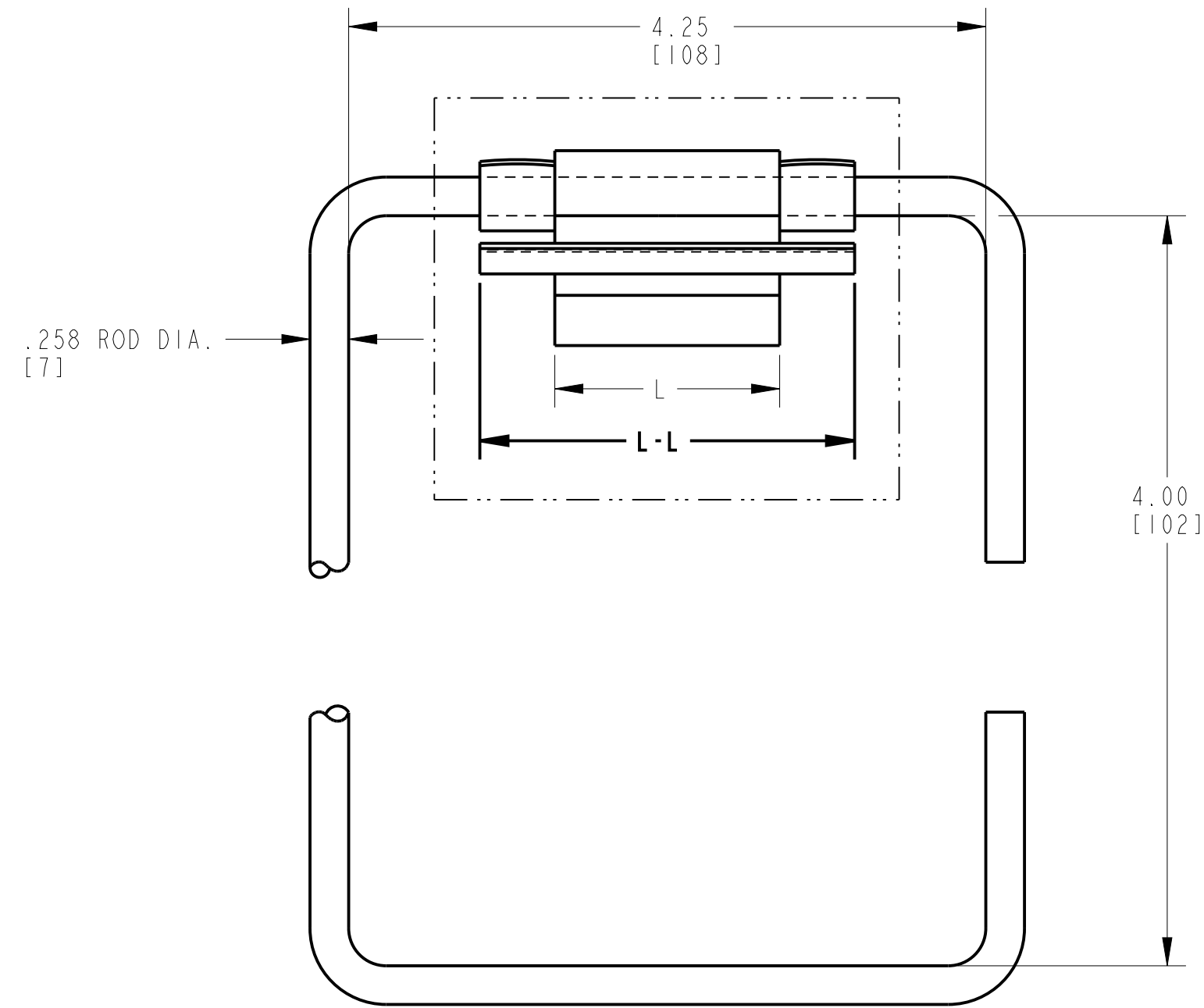


FIG. 1

FIG. 2

REFERENCE: SC049746

- NOTES:
- VAC. FORM PACKAGED OR SEALED IN POLYETHYLENE BAG.
 - MATERIAL AS SHOWN.
 - DIMENSIONS IN BRACKETS [] DENOTES METRIC UNITS [SI UNITS] AND ARE ROUNDED TO THE NEAREST WHOLE NUMBER. UNLESS OTHERWISE SPECIFIED THESE UNITS SHALL BE USED FOR REFERENCE ONLY.

TO ORDER BURNDY® PRODUCTS CALL
 UNITED STATES:
 1-800-346-4175 (LONDONDERRY, NH)
 CANADA:
 1-800-361-6975 (QUEBEC)
 1-800-387-6487 (ALL OTHER PROVINCES)
 FOR PRODUCT INFO: <http://www.burndy.com>

CABLE CRIMPIT®	
ITEM NO:	N/A
CAT. NO:	YCB---G (SEE TABLE)
DRAWN BY:	C. RACANU 06/24/1975
CHECKER:	CAR 06/24/1975
DSN APPVL:	MG 06/30/1975
MFG APPVL:	--
QA APPVL:	J. BRODEUR --
MKT APPVL:	--
PROD FAM:	--
PROJECT #:	--
DOCUMENT TYPE:	Sales
REL LEVEL:	Released



SCALE:	DRAWING NO	REV
1.000	SC076872-01	C
	SHEET 1 OF 1	

REV: PE0200