
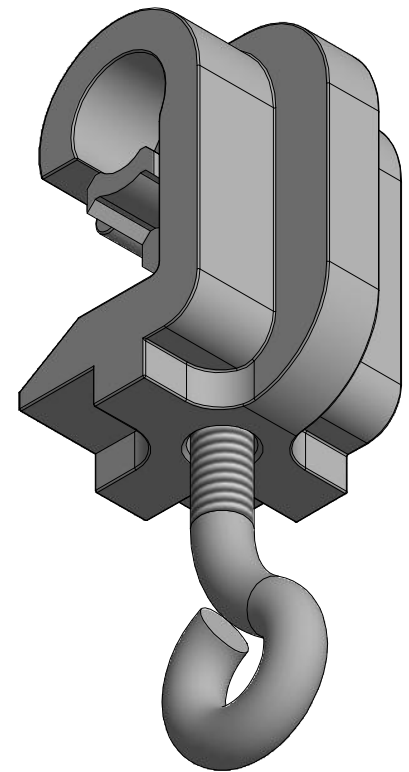
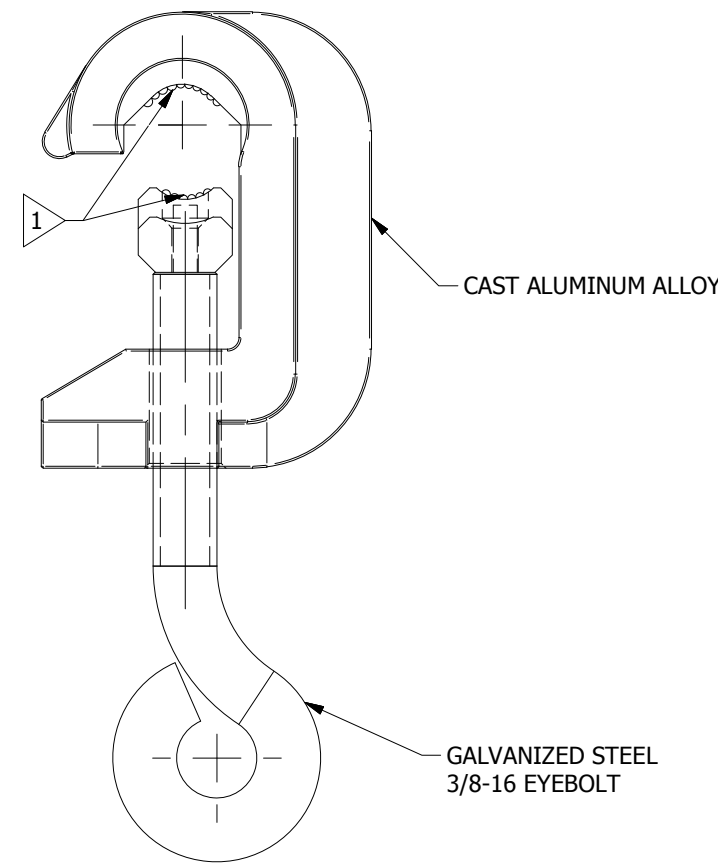
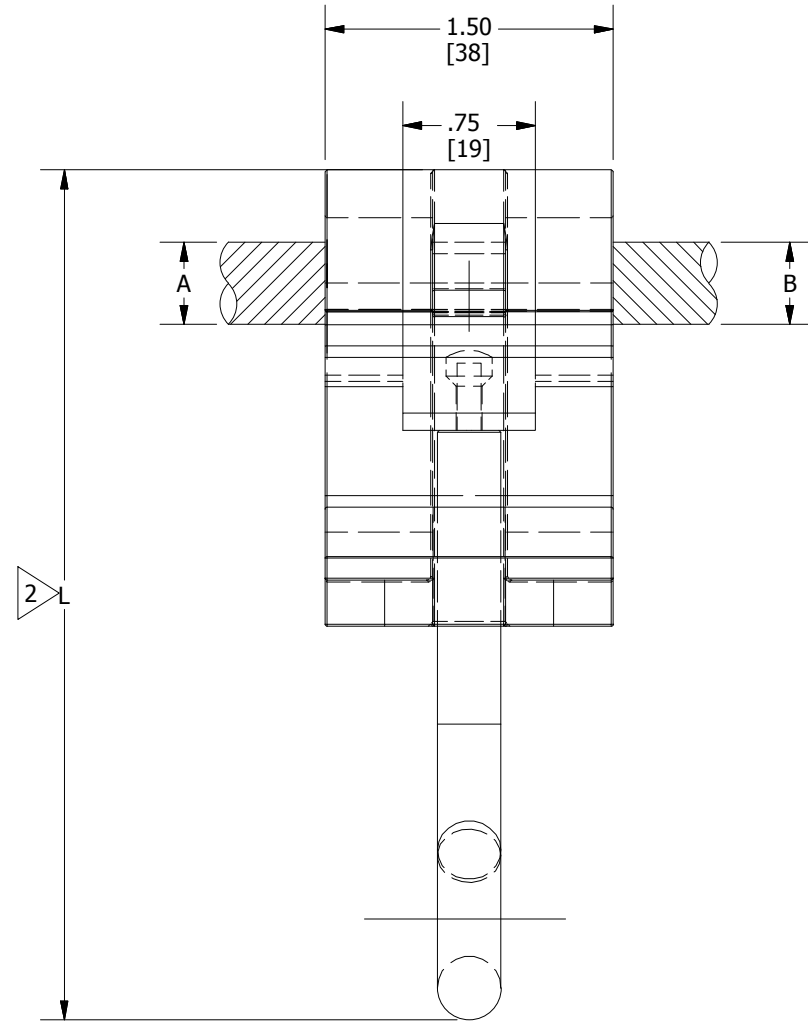
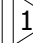
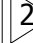
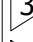
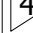


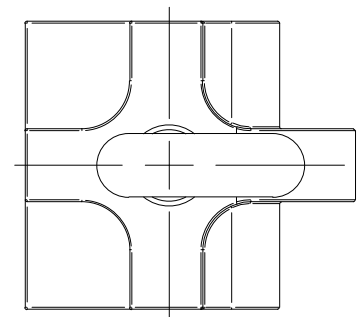
CATALOG NUMBER	ACCOMMODATES			
	CABLE 	CABLE DIA. "A"	INSULATION DIA. "B" MAX.	L
LSC 1/0	1/0 STR. AAC- 1/0 ACSR	.368-.398	.65	4.5"
LSC556	4/0 STR. - 556 AAC	.528-.858	1.16	5.9"
LSC1/0-1	1/0 STR. AAC- 1/0 ACSR	.368-.398	.83	4.5"
LSC556-1	4/0 STR. - 556 AAC	.528-.858	1.34	5.9"

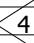
REV	DATE	DESCRIPTION	ECO	BY	C'H'K.
A	09/03/2014	NEW DRAWING CREATED	36725	SV	MB



REFERENCE: SC91791

- NOTES:
-  CONNECTOR IS PREFILLED WITH PENETROX™ "A13" WHICH COMPATIBLE WITH CABLE INSULATION AND IS INDIVIDUALLY BAGGED.
  -  APPROXIMATE ASSEMBLY LENGTH OVER EYEBOLT WITH CABLE CLAMPED. ALSO APPROXIMATE EYEBOLT POSITION WHEN SHIPPED.
  -  COVERED PRIMARY CONDUCTOR (TREE WIRE).
  -  ASSEMBLY INSTRUCTIONS ARE SUPPLIED WITH EACH CONNECTOR.



TO ORDER BURNDY® PRODUCTS CALL		LIGHTNING SHIELD CLAMP ASSEMBLY 	
UNITED STATES 1-800-346-4175 (LONDONDERRY, NH)		ITEM NO: SEE TABLE	
CANADA: 1-800-361-6975 (QUEBEC) 1-800-387-6487 (ALL OTHER PROVINCES)		CAT. NO: SEE TABLE	
FOR PRODUCT INFO: <a href="http://www.burndy.com">http://www.burndy.com</a>		DRAWN BY: SENTHIL 09/02/2014	
		CHECKER: W.ZAHLMAN 08/23/2014	
		DSN APRVL: W.ZAHLMAN 08/25/2014	
		MFG APRVL: --	
		QA APRVL: J.HILLMAN 08/26/2014	
		MKT APRVL: J.HALL 08/23/2014	
		PROD FAM: --	
		DRAWING NO	
		SC91818	
		REV	
		A	
		SHEET 1 OF 1	