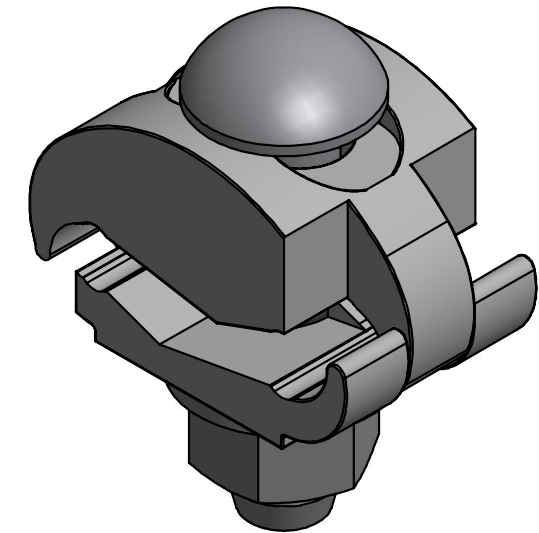
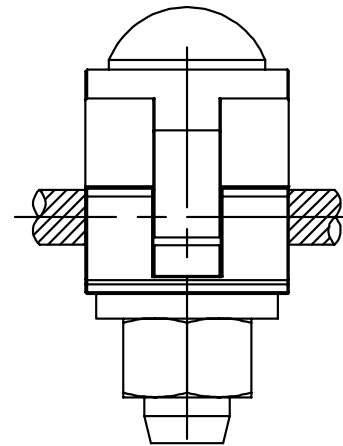
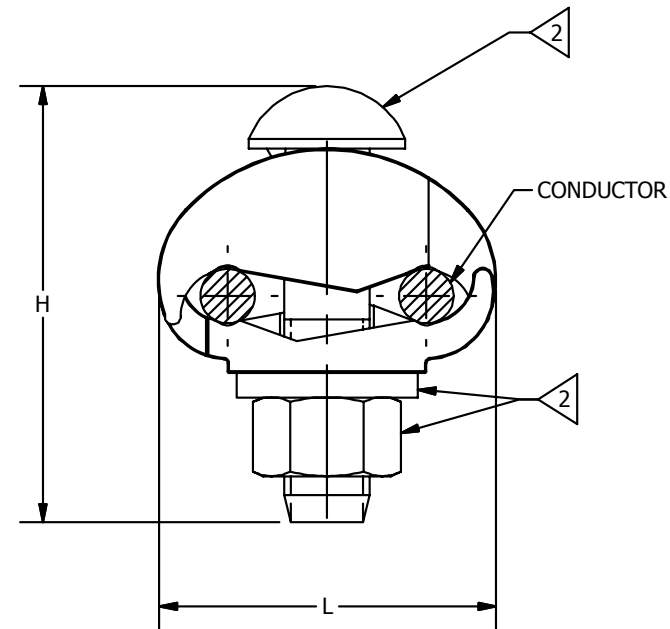
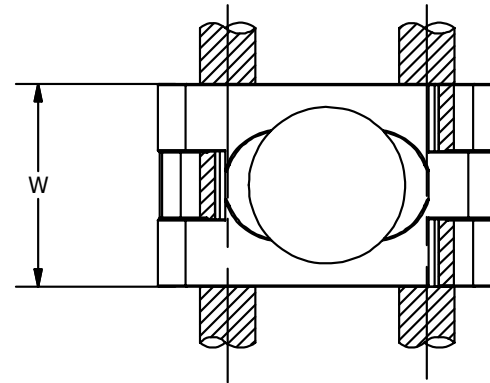


REV	DATE	DESCRIPTION	ECO	BY	C'H'K.
A	09/10/2014	NEW DRAWING CREATED	37762	SV	MB

DIMENSIONS			ACCOMMODATES
H	L	W	CONDUCTOR RANGE - EITHER GROOVE
3.27/3.25 [83]	2.41 [61]	1.88 [48]	#4 STR. (.232 DIA.) - 300 KCMIL (.630 DIA.) COPPER CABLE



NOTES:

1. MATERIAL: CAST COPPER ALLOY.
2. OVAL SHANK SILICON BRONZE BOLT AND HARDWARE.
3. DIMENSIONS IN BRACKETS [] ARE IN MILLIMETERS ROUNDED OFF TO THE NEAREST MILLIMETER, UNLESS OTHERWISE NOTED, AND ARE FOR REFERENCE ONLY.

TO ORDER BURNDY® PRODUCTS CALL		GROUND CONNECTORS															
UNITED STATES 1-800-346-4175 (LONDONDERRY, NH)		ITEM NO: 26419L															
CANADA: 1-800-361-6975 (QUEBEC) 1-800-387-6487 (ALL OTHER PROVINCES)		CAT. NO: GC30G3															
FOR PRODUCT INFO: http://www.burndy.com		<table border="1"> <tr> <td>DRAWN BY: SENTHIL</td> <td>9/10/2014</td> <td rowspan="5" style="text-align: center; vertical-align: middle;"></td> </tr> <tr> <td>CHECKER: MANIKANDAN</td> <td>9/10/2014</td> </tr> <tr> <td>DSN APRVL: L TROMBLEY</td> <td>9/15/2014</td> </tr> <tr> <td>MFG APRVL: --</td> <td></td> </tr> <tr> <td>QA APRVL: C KOWALCZYK</td> <td>9/15/2014</td> </tr> <tr> <td>MKT APRVL: P THERRIEN</td> <td>9/15/2014</td> <td></td> </tr> </table>		DRAWN BY: SENTHIL	9/10/2014		CHECKER: MANIKANDAN	9/10/2014	DSN APRVL: L TROMBLEY	9/15/2014	MFG APRVL: --		QA APRVL: C KOWALCZYK	9/15/2014	MKT APRVL: P THERRIEN	9/15/2014	
DRAWN BY: SENTHIL	9/10/2014																
CHECKER: MANIKANDAN	9/10/2014																
DSN APRVL: L TROMBLEY	9/15/2014																
MFG APRVL: --																	
QA APRVL: C KOWALCZYK	9/15/2014																
MKT APRVL: P THERRIEN	9/15/2014																
		PROJ FAM: --	DRAWING NO														
		PROJECT #: --	SC209139														
		DOCUMENT TYPE: SALES	REV														
		REL LEVEL: Released	A														
		SIZE															
		B															
		SHEET 1 OF 1															