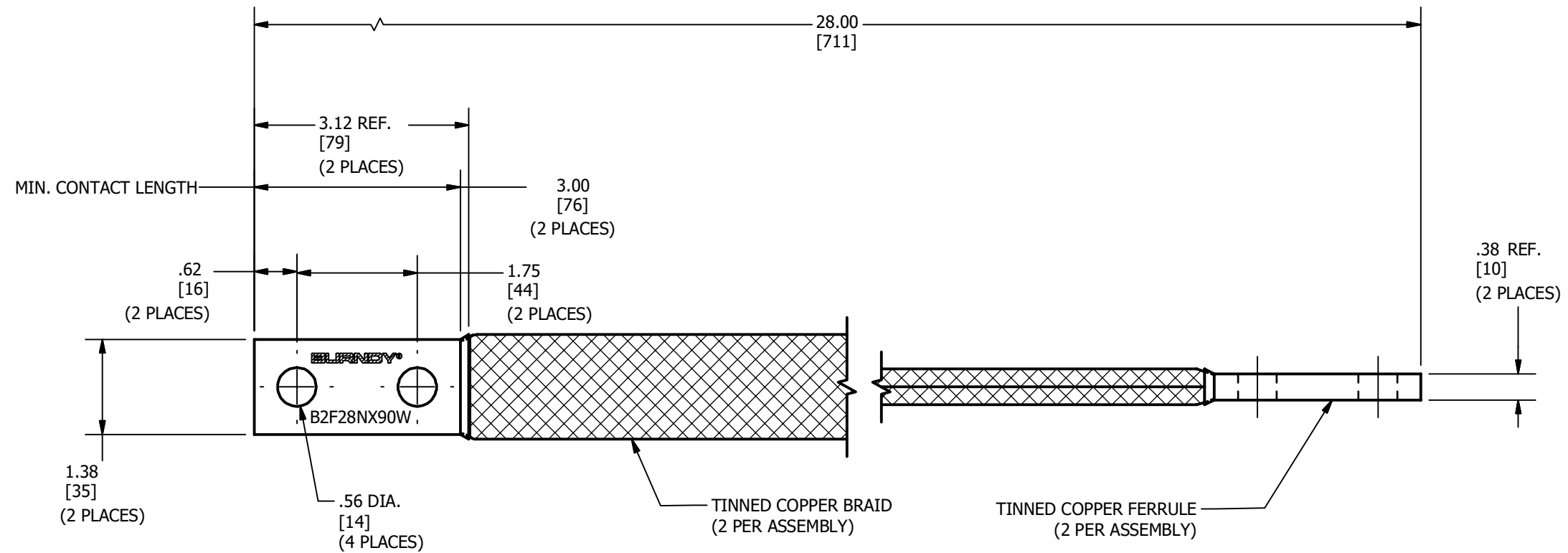


REV	DATE	DESCRIPTION	ECO	BY	C'H'K.
A	09/27/2020	NEW DRAWING CREATED	54291	SS	PB



NOTES:

- MATERIAL:
 - FERRULE : TIN PLATED COPPER
 - BRAID : TIN PLATED COPPER
- DIMENSIONS IN BRACKETS [] ARE IN MILLIMETERS ROUNDED OFF TO THE NEAREST MILLIMETER, UNLESS OTHERWISE NOTED, AND ARE FOR REFERENCE ONLY.

TO ORDER BURNDY® PRODUCTS CALL		BRAID	
UNITED STATES		ITEM NO: 25017876	
1-800-346-4175 (LONDONDERRY, NH)		CAT. NO: B2F28NX90W	
CANADA:		DRAWN BY: M.SAJRABH 09/10/2020	
1-800-361-6975 (QUEBEC)		CHECKER: S.CARBONNEAU 11/10/2020	
1-800-387-6487 (ALL OTHER PROVINCES)		DSN APRVL: S.CARBONNEAU 11/10/2020	
FOR PRODUCT INFO: http://www.burndy.com		MFG APRVL: --	
		QA APRVL: G.REDFIELD 11/07/2020	
		MKT APRVL: K.ROBICHEAU 11/06/2020	
		PROD FAM: MECHANICAL GROUNDING	
		DRAWING NO	
		REV	
		PROJECT #: --	
		SIZE	
		DOCUMENT TYPE: SALES	
		REL LEVEL: Released	
		SC..211992-01	
		SHEET 1 OF 1	
		A	