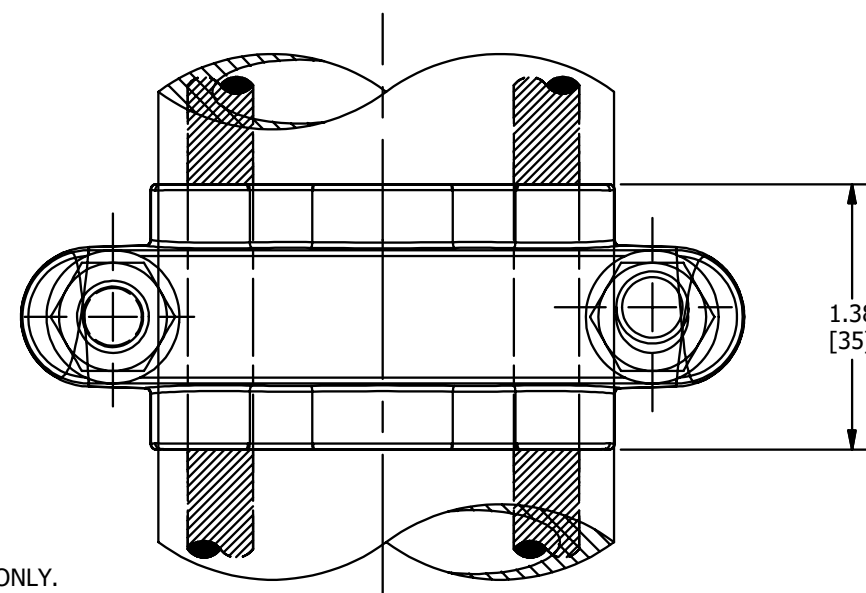
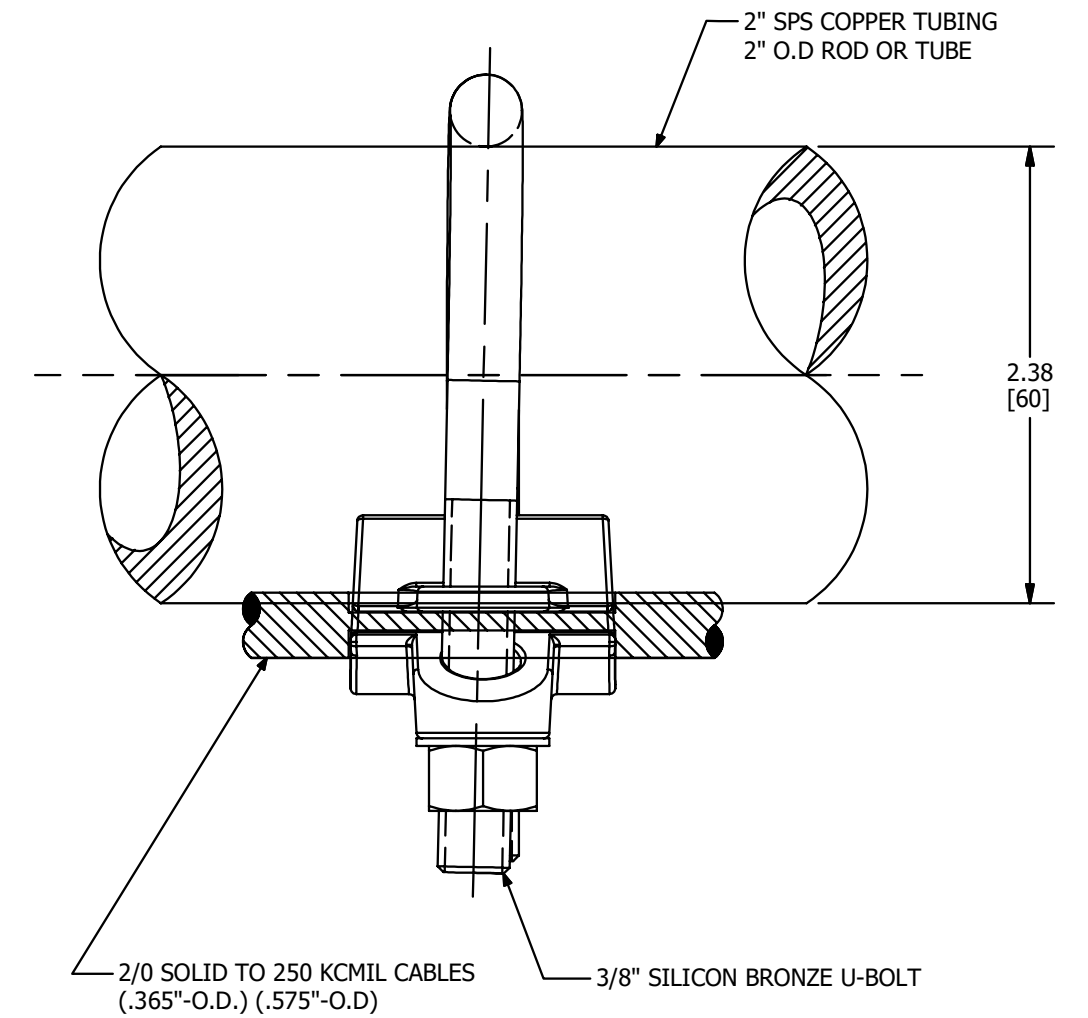
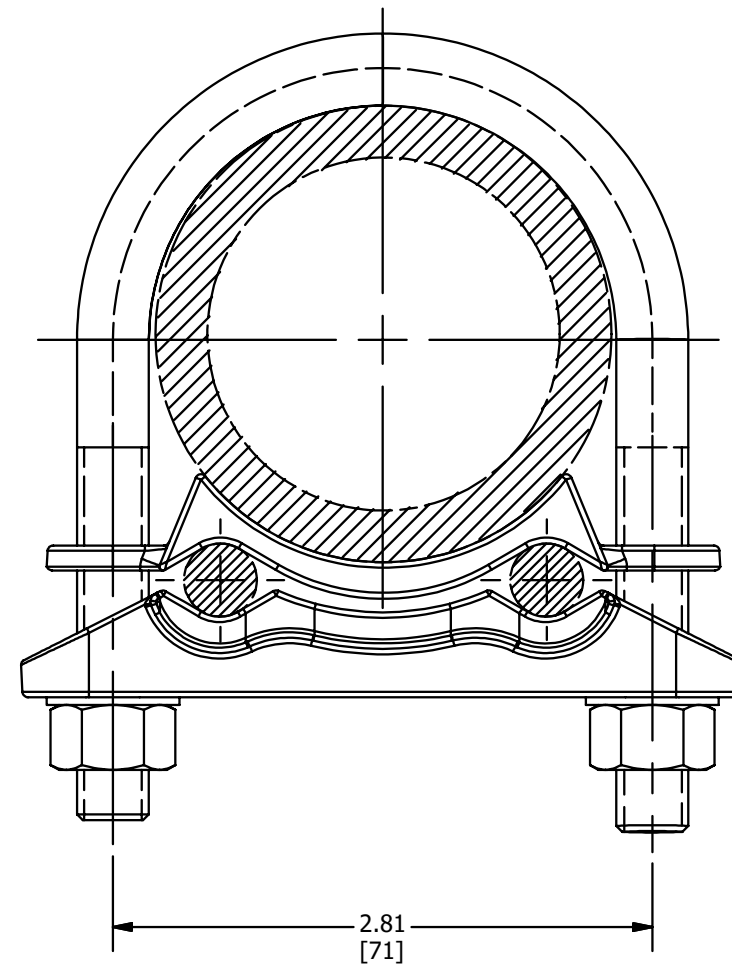


REV	DATE	DESCRIPTION	ECO	BY	C'H'K.
A	22-01-2020	SALES DRAWING CREATED FOR GROUND CLAMP	52838	TM	EM



NOTES:

- MATERIAL: CAST BRONZE.
HARDWARE: SILICON BRONZE
- DIMENSIONS IN BRACKETS [] ARE IN MILLIMETERS ROUNDED OFF TO THE NEAREST MILLIMETER, UNLESS OTHERWISE SPECIFIED AND ARE FOR REFERENCE ONLY.
- SUFFIX "TN" FOR TIN PLATED CAST COMPONENTS.
- SUFFIX "W" FOR TIN PLATED CAST COMPONENTS AND HARDWARE.

TO ORDER BURNDY® PRODUCTS CALL		GROUND CLAMP	
UNITED STATES		ITEM NO: 264214, 50082197, 001711	
1-800-346-4175 (LONDONDERRY, NH)		CAT. NO: GD1829, GD1829TN, GD1829W	
CANADA:		DRAWN BY: V.KUMAR 23-01-2020	
1-800-361-6975 (QUEBEC)		CHECKER: E.MARTIN 27-01-2020	
1-800-387-6487 (ALL OTHER PROVINCES)		DSN APRVL: E.MARTIN 27-01-2020	
FOR PRODUCT INFO: http://www.burndy.com		MFG APRVL: T.WAWRZYNIAK 28-01-2020	
		QA APRVL: B.ELLIOTT 28-01-2020	
		MKT APRVL: --	
PROD FAM: GROUNDING	SIZE: B	DRAWING NO: SC002489-01	REV: A
PROJECT #: --	REL LEVEL: Released	SHEET 1 OF 1	