

CATALOG. NUMBER	FIGURE	DRAWING NUMBER
K6B28-4N	1	FD052056
K6B28-2N	2	---

REV	DATE	DESCRIPTION	ECO	BY	C'H'K.
A	10/26/2012	SALES DRAWING REDRAW	29215	PM	MB

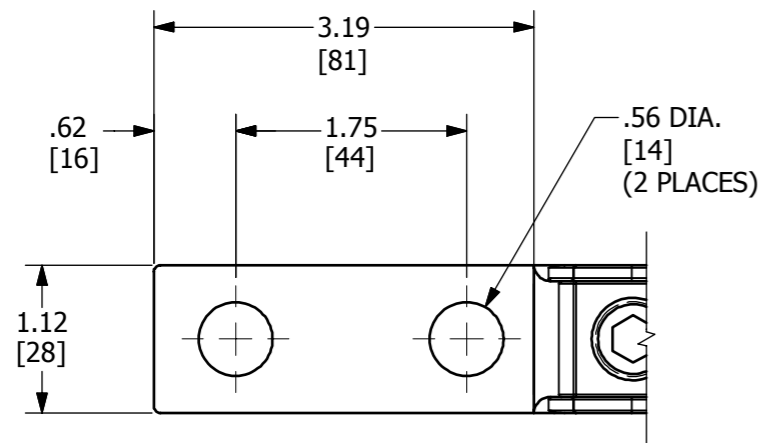


FIGURE - 2

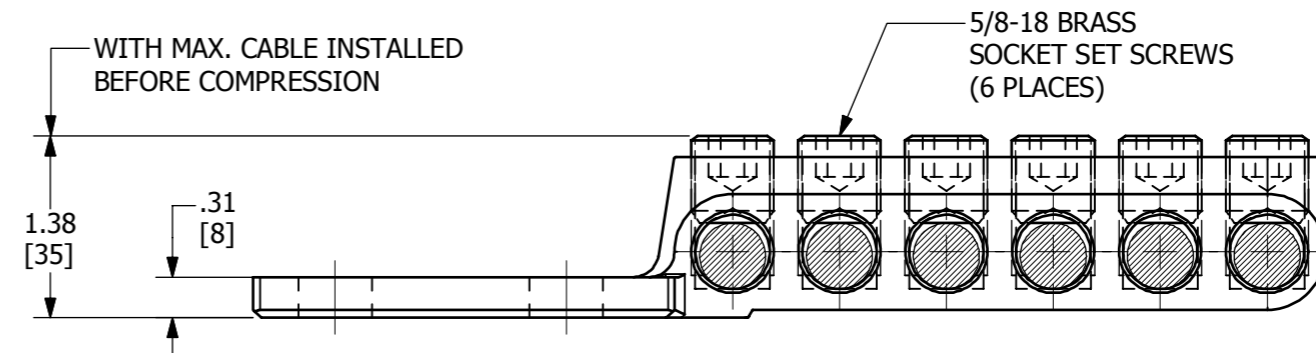
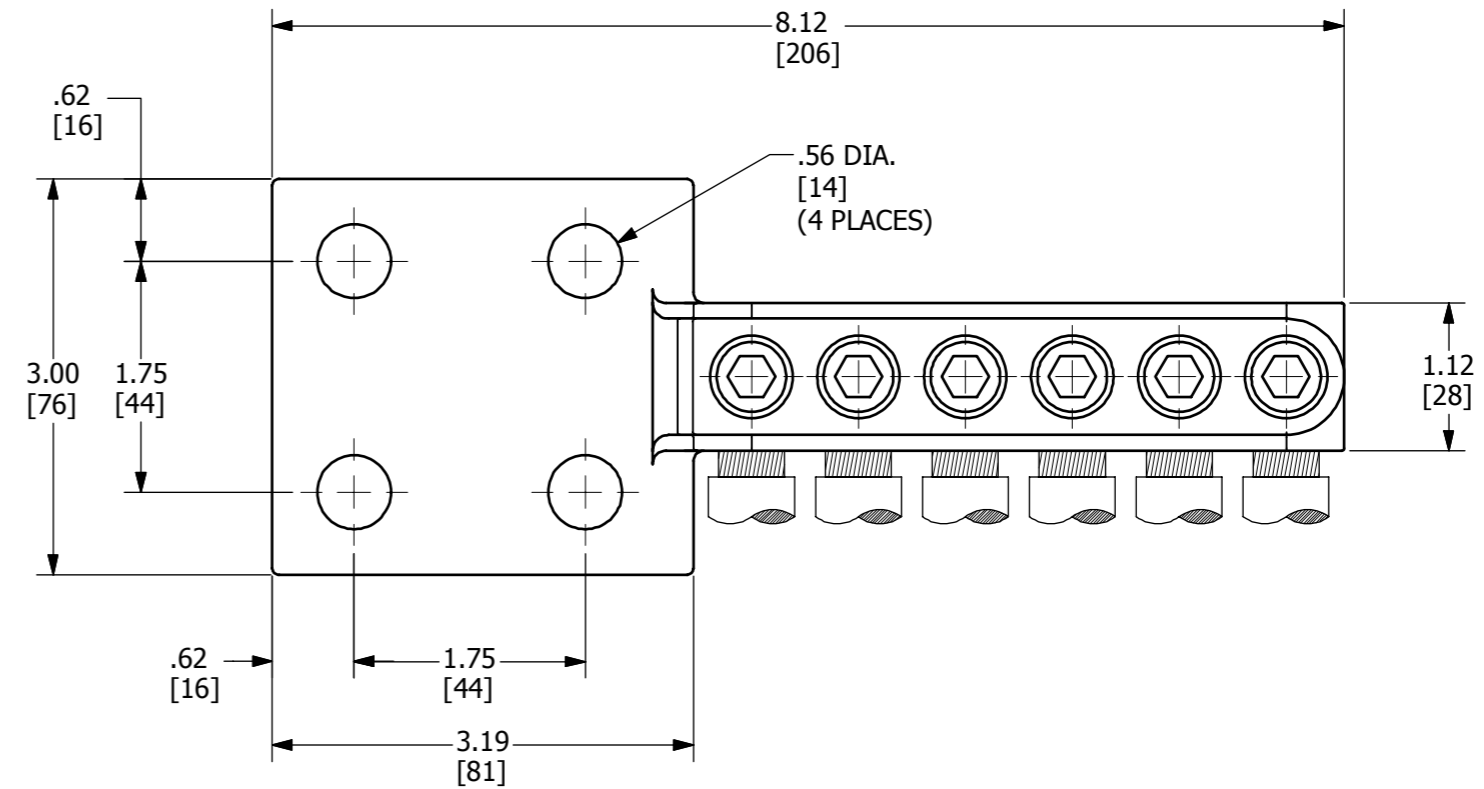


FIGURE - 1

NOTES:

- DIMENSIONS IN BRACKETS [] ARE IN MILLIMETERS ROUNDED OFF TO THE NEAREST MILLIMETER, UNLESS OTHERWISE SPECIFIED AND ARE FOR REFERENCE ONLY.
- MATERIAL: CAST COPPER ALLOY.
- ACCOMMODATES: SIX - #6 (.184 DIA.) - 4/0 (.528 DIA.) CU. CABLE.
- CAPACITY: FOR USE ON TRANSFORMERS UPTO 100 KVA.

TO ORDER BURNDY® PRODUCTS CALL		MULTIPLE KALUG	
UNITED STATES 1-800-346-4175 (LONDONDERRY, NH)		ITEM NO: N/A	
CANADA: 1-800-361-6975 (QUEBEC) 1-800-387-6487 (ALL OTHER PROVINCES)		CAT. NO: K6B28-4N & K6B28-2N	
FOR PRODUCT INFO: http://www.burndy.com		DRAWN BY: M.A.P 02/19/1962	
		CHECKER: E.R.D 02/19/1962	
		DSN APRVL: M.S 02/23/1962	
		MFG APRVL: --	
		QA APRVL: --	
		MKT APRVL: --	
		PROD FAM: --	
		DRAWING NO	
		SC051033-01	
		REV	
		A	
		SHEET 1 OF 1	