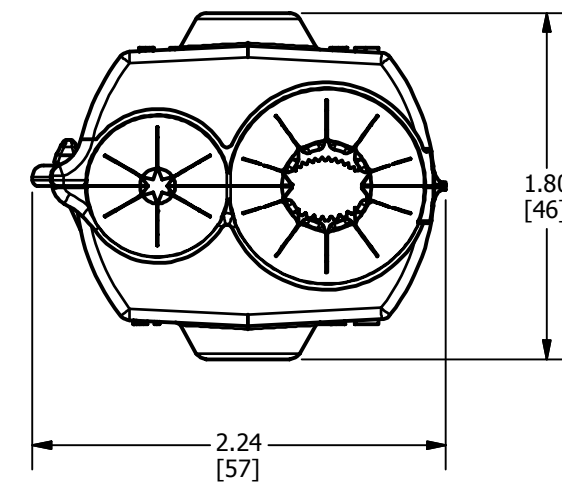
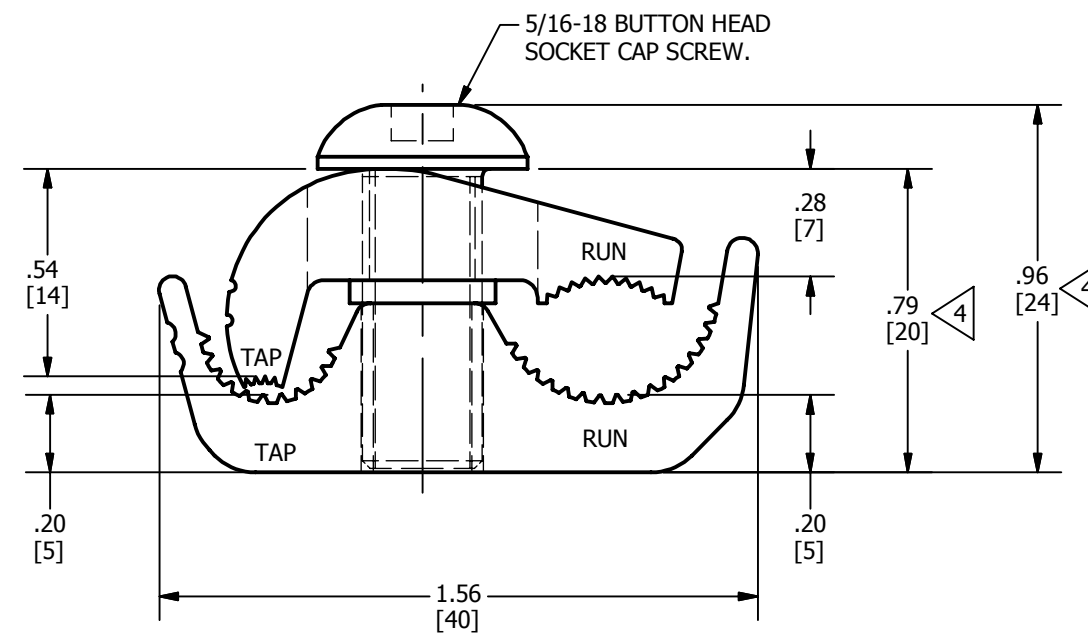
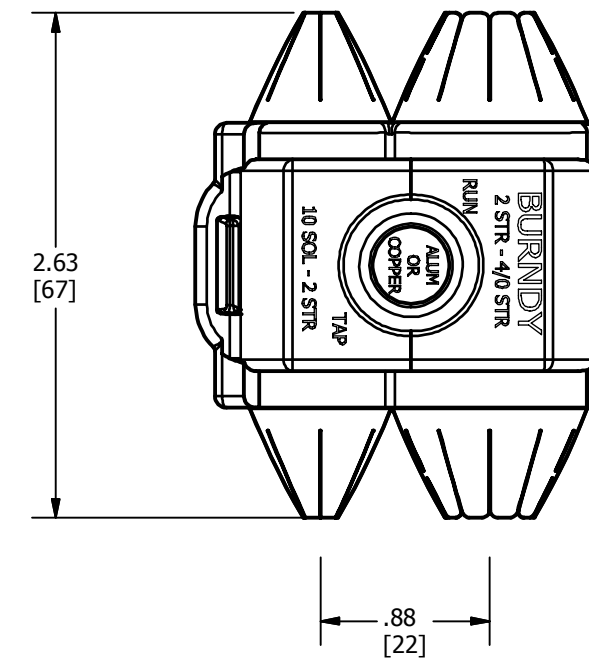
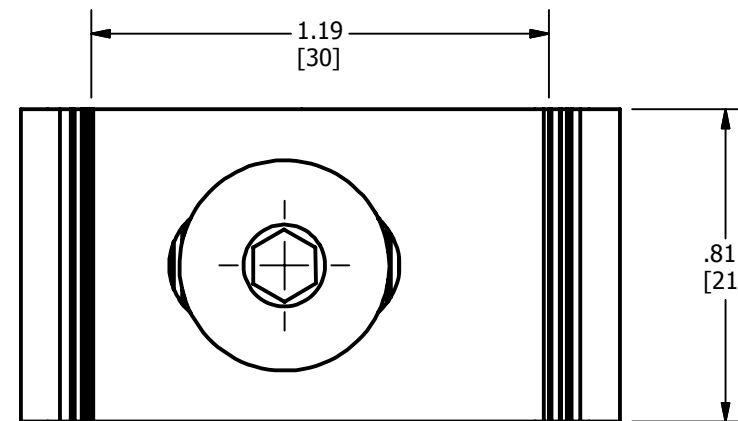


REV	DATE	DESCRIPTION	ECO	BY	C'HK.
A	10/05/2017	REDRAWN TO INVENTOR	47668	TS	PB



**CONNECTOR**

**COVER**

**NOTES:**

1. DIMENSIONS IN BRACKETS [ ] ARE IN MILLIMETERS ROUNDED OFF TO THE NEAREST MILLIMETER, UNLESS OTHERWISE SPECIFIED AND ARE FOR REFERENCE ONLY.
2. SUITABLE FOR COPPER AND ALUMINUM CONDUCTORS.
3. UL LISTED PER UL486B FOR MAXIMUM SERVICE TEMPERATURE OF 90°C.

4. WITHOUT CONDUCTORS IN PLACE.

5. MATERIAL:  
CONNECTOR-ALUM ALLOY-TIN PLATED.  
COVER-POLYETHYLENE.

6. ACCOMMODATES:  
RUN- #2 STR. (.292 DIA) TO 4/0 STR.  
(.528 DIA.) CU AND ALUM.CABLE.

TAP- #10 SOL.(.102 DIA.) TO #2 STR.  
(.292 DIA.) CU AND ALUM.CABLE.

REFERENCE: FC61828, FC58961

TO ORDER BURNDY® PRODUCTS CALL		RISER TAP (CONNECTOR & COVER)	
UNITED STATES 1-800-346-4175 (LONDONDERRY, NH)		ITEM NO: 393005	
CANADA: 1-800-361-6975 (QUEBEC) 1-800-387-6487 (ALL OTHER PROVINCES)		CAT. NO:UCU28AC	
FOR PRODUCT INFO: <a href="http://www.burndy.com">http://www.burndy.com</a>		DRAWN BY: BRJ 04/02/68	
		CHECKER: JHB 04/18/68	
		DSN APRVL: WC 04/19/68	
		MFG APRVL: --	
		QA APRVL: --	
		MKT APRVL: --	
		PROD FAM: --	DRAWING NO
		PROJECT #: --	SIZE
		DOCUMENT TYPE: SALES	SC065803-01
		REL LEVEL: Released	B
			SHEET 1 OF 1
			REV
			A