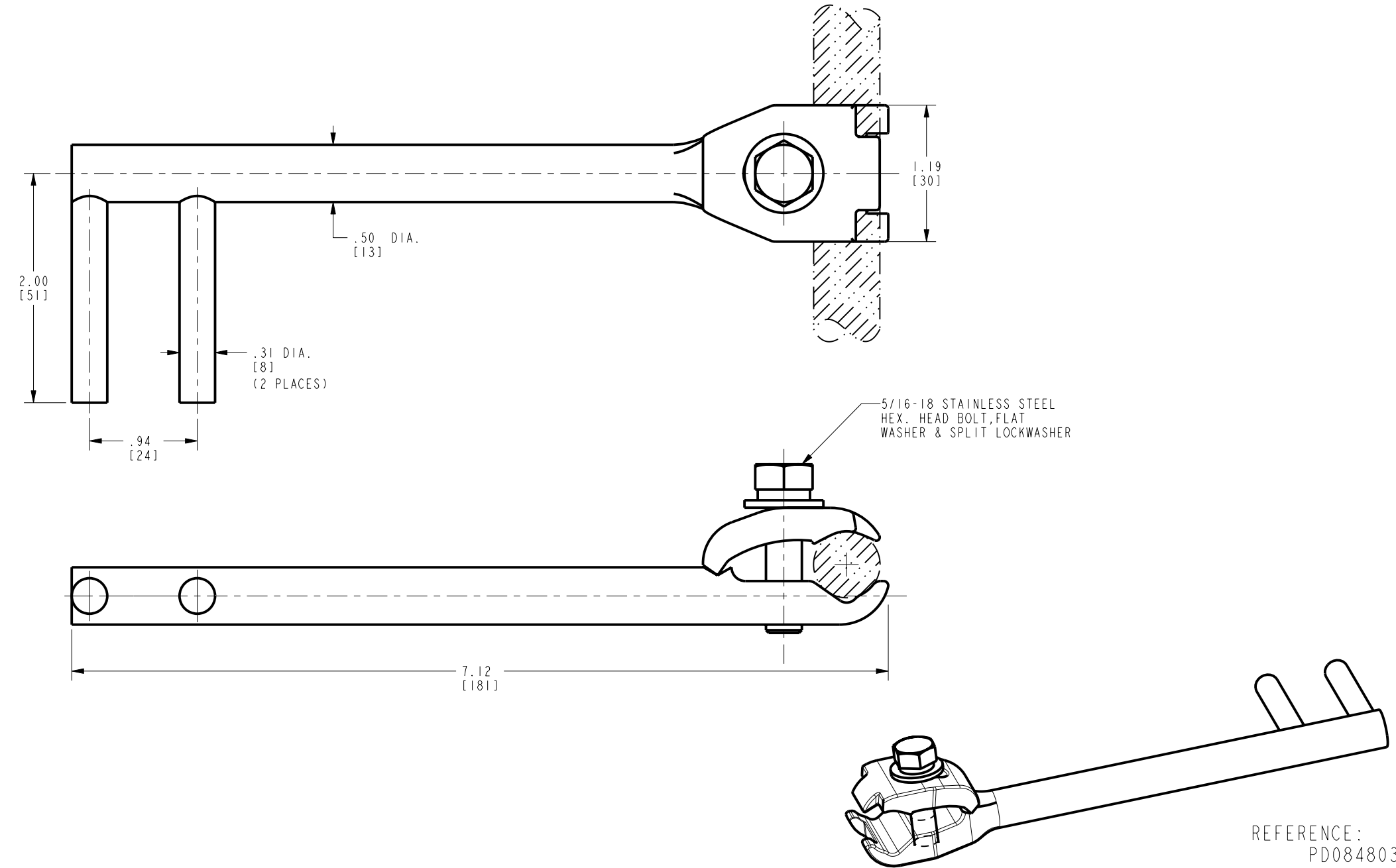


DRAWING NO.
SC084804-01

| REV | DATE | DESCRIPTION | ECO | BY | C'H'K. |
|-----|----------------------|----------------|-------|----|--------|
| A | 1/27/2011 5:30:00 AM | REGRAB IN PROE | 23233 | AD | MA |

D
C
B
A



- NOTES:
- DIMENSIONS IN BRACKETS [] ARE IN MILLIMETERS, ROUNDED OFF TO THE NEAREST MILLIMETER, UNLESS OTHERWISE NOTED. METRIC DIMENSIONS ARE FOR REFERENCE ONLY.
 - MATERIAL:
CAST CU. ALLOY 116
 - ACCOMMODATES:
#4 SOL. (.204 DIA.) - 4/0 STR (.552 DIA.) COPPER CABLE.

REFERENCE:
PD084803-01
SUPERSEDES:
SC84804-0

| | | | |
|---|--|------------------------|--|
| TO ORDER BURNDY® PRODUCTS CALL | | GROUND CONNECTOR | |
| UNITED STATES: 1-800-346-4175 (LONDONDERRY, NH) | | ITEM NO: 26416T | |
| CANADA: 1-800-361-6975 (QUEBEC) 1-800-387-6487 (ALL OTHER PROVINCES) | | CAT. NO: GBG28G1 | |
| FOR PRODUCT INFO: http://www.burndy.com | | DRAWN BY: D.D. 2/6/89 | |
| | | CHECKER: K.L.H. 2/7/89 | |
| | | DSN APPVL: -- | |
| | | MFG APPVL: -- | |
| | | QA APPVL: -- | |
| | | MKT APPVL: -- | |
| | | SCALE: 1:1 | |
| PROD FAM: GROUNDING CONNECTOR | | DRAWING NO | |
| PROJECT #: -- | | SIZE | |
| DOCUMENT TYPE: Sales | | SC084804-01 | |
| REL LEVEL: Released | | SHEET 1 OF 1 | |

REV: PE0200

4 3 2 1