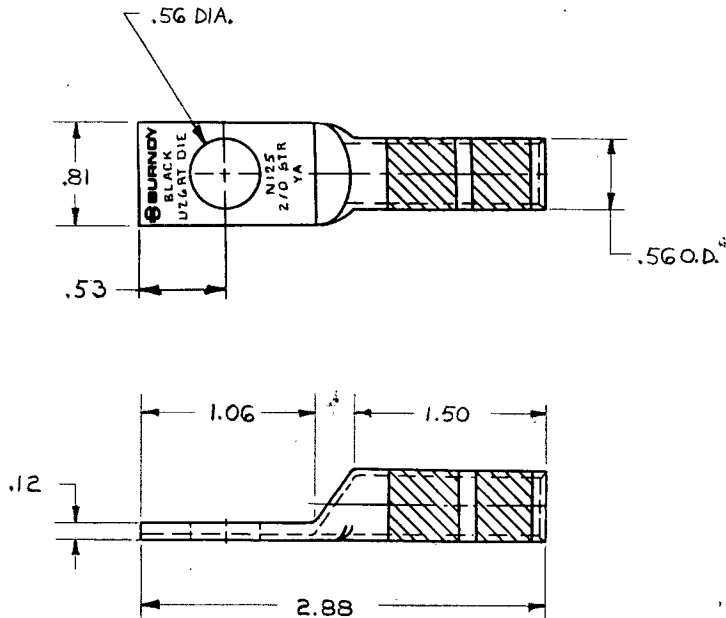


SC201630

SC201630

REV.	DATE	REVISION DESCRIPTION	BY	C'K'D'



NOTES:

1. MATERIAL: COPPER TUBE
2. FINISH: TIN PLATED
3. ACCOMMODATES: 2/0 STR., N125 (G1) COPPER CABLE.
4. INSTALLATION TOOL: INDEX NO. 13  
 - MECHANICAL HYTOOL MY29-11 (1) CRIMP.  
 - HYDRAULIC HYPRESS Y644 (1) CRIMP.  
 - HYDRAULIC HYPRESS Y35, Y39, Y46\* DIE SET U26 RT (2) CRIMPS.

\*USE P-UADP ADAPTER WITH "U" DIES IN Y46 HYPRESS.

© BURNDY CORPORATION 1989			
<b>COPPER HYLUG</b>			
CAT. NO. YA26G27		SCALE 1/4	
DRAWN JL 3/3/89		CHECKED KLH 3-6-89	
DES. APPROV.		MFG. APPROV. G.E./J.P.S./KH 3/27/89	
		Q.C. APPROV.	
<b>BURNDY</b> NORWALK, CT 06856 DP-51393		DRAWING NO.	REV.
		SC201630	0
		SHT. 1 OF 1	