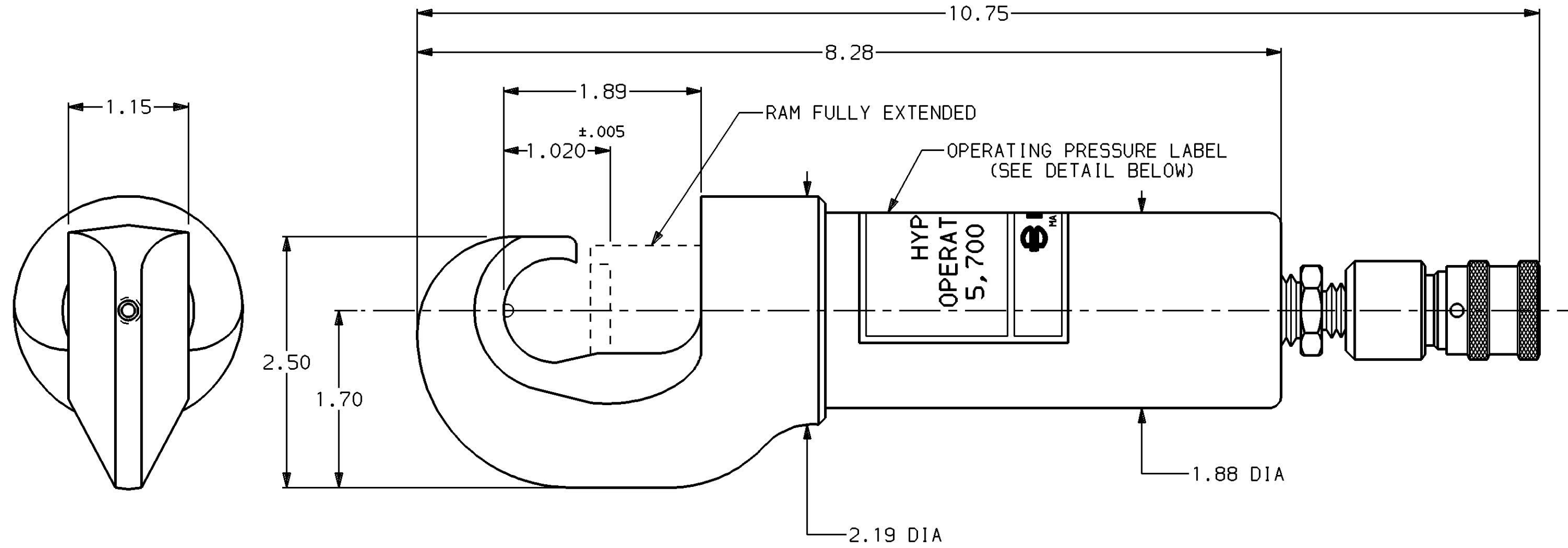


REV.	DATE	DESCRIPTION	BY	C'K'D.
1	5/5/93	ADDED "AN FCI COMPANY" TO LABEL. OPERATING PRESSURE WAS 5,700-5,000 PSI. ADD PROPER ZIP CODE. (PCN 1112)	JLM	DGF
2	1/25/95	ADDED ±.005 TOLERANCE TO 1.02 DIMENSION PER PCN (2186).	RDP	DGF



Y29BH
HYPRESS HEAD
OPERATING PRESSURE
5,700 - 6,000 PSI
BURNDY

OPERATING PRESSURE LABEL

Y29BH			
CAT NO. Y29BH		SCALE FULL SIZE	
DRAWN	MAL 03-20-90	CHECKED	JBH 07-17-90
DES APPROV.	GSG 07-16-90	MFG APPROV	MB 07-17-90
		Q.C. APPROV. FRR 07-17-90	
BURNDY		DRAWING NO.	
		SC205962	
STP11026		REV 2	
SHT 1 OF 1			

CAD FILE: SC205962-SHT01