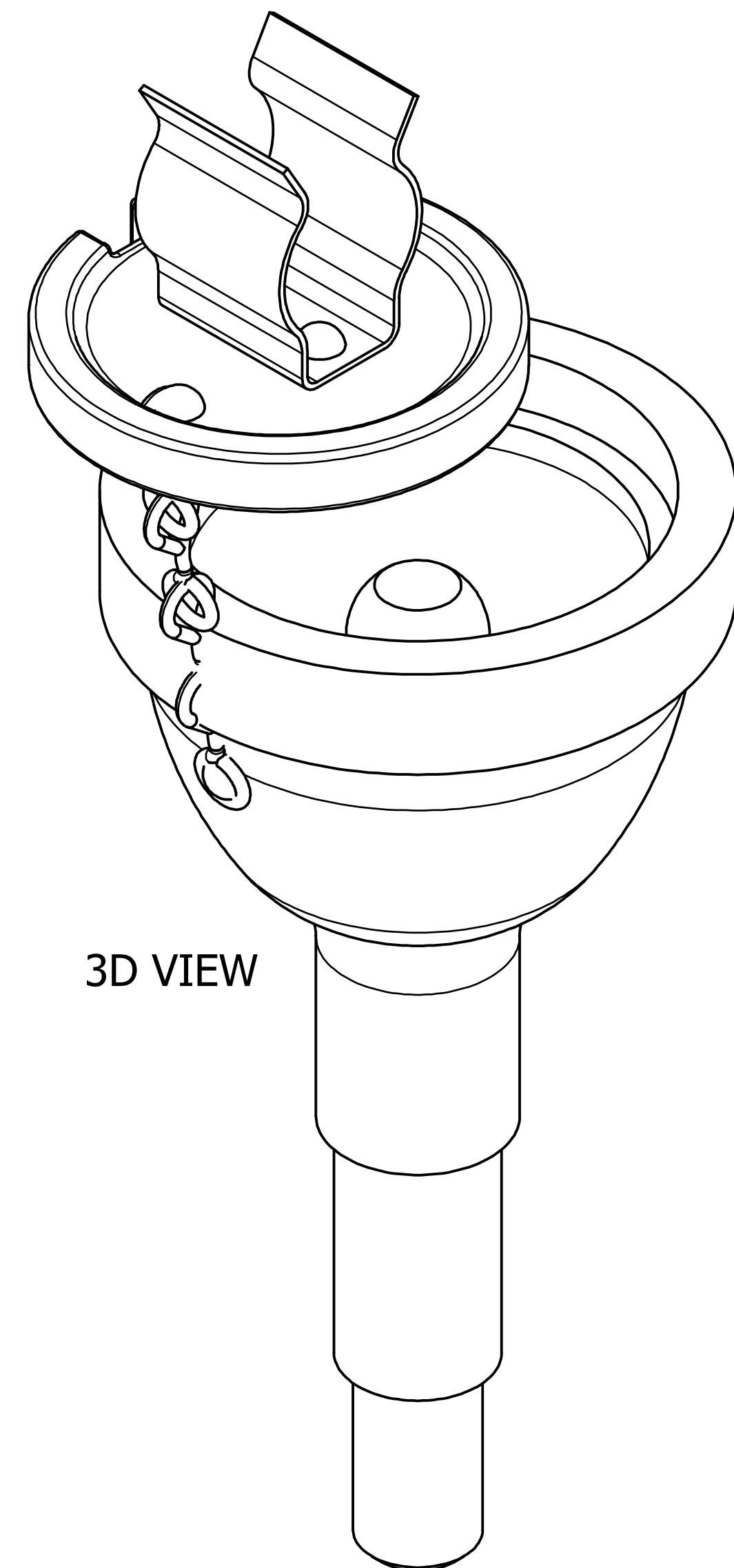
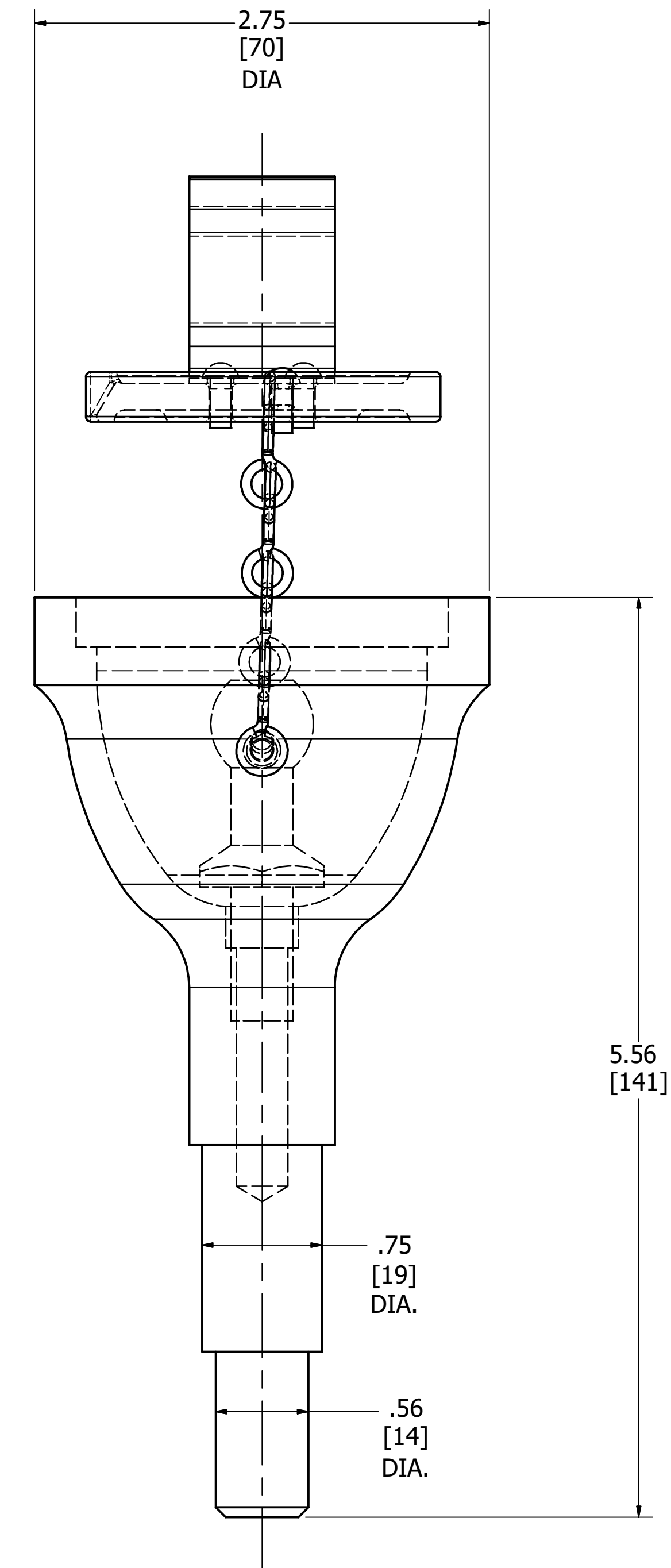
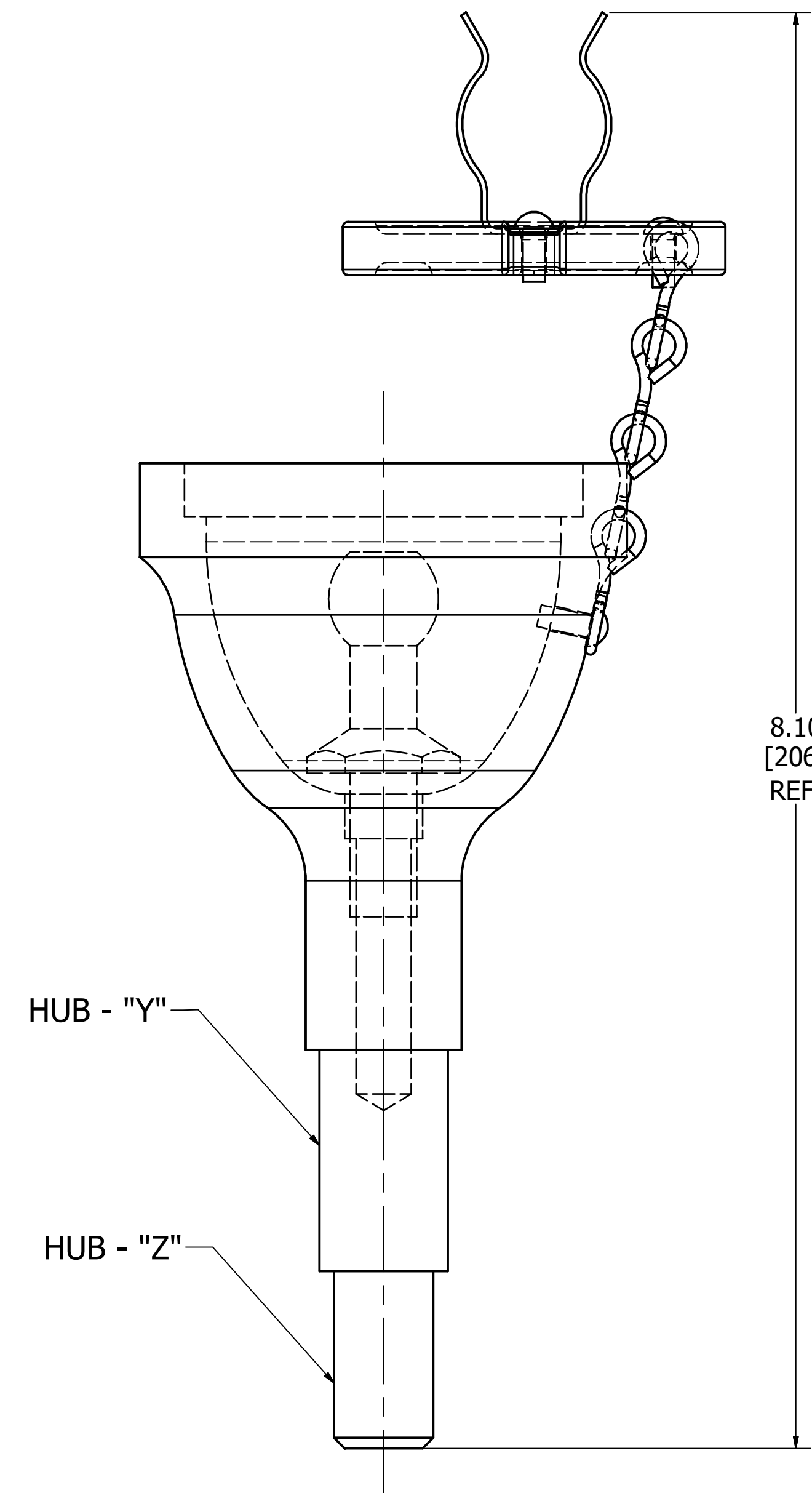


REV	DATE	DESCRIPTION	ECO	BY	CHK.
A	08/26/2020	CREATE COMPLETE PRODUCTION DRAWING SET AND 3D MODELS FOR YGT275. LINK ALL DRAWINGS AND COMPONENTS.	54161	MK	NJS



3D VIEW



NOTES:

- 1 MATERIAL :
BRONZE OR COPPER ALLOY.
- 2 DIMENSIONS IN BRACKETS [] DENOTES METRIC UNITS [SI UNITS] AND ARE ROUNDED TO THE NEAREST WHOLE NUMBER. UNLESS OTHERWISE SPECIFIED THESE UNITS SHALL BE USED FOR REFERENCE ONLY.
- 3 THE CONCEPT SHOWN INCORPORATES DESIGN PRINCIPLES WHICH PERMIT OPERATION AT A VOLTAGE GRADIENT NORMALLY ASSOCIATED WITH 138 KV RMS OPERATION PHASE TO PHASE.
- 4 SELECT SUITABLE YGHR OR YGLR FOR 3/4" GROUND ROD AND SIZED TO GROUND CONDUCTOR. INSTALL YGHR OR YGLR ON HUB "Y". HUB "Z" IS INSERTED INTO 1/2" RIGID CONDUIT. THE CONDUIT IS DRIVEN INTO EARTH TO PROVIDE SUPPORT AND PROVIDE CORRECT LEVEL OF RECEPTACLE PRIOR TO CEMENT POUR.
- 5 MARKING:
BURNDY
YGT275

TO ORDER BURNDY® PRODUCTS CALL		STATIC GROUNDING RECEPTACLE	
UNITED STATES		ITEM NO: 279206	
1-800-346-4175 (LONDONDERRY, NH)		CAT. NO: YGT275	
CANADA:		DRAWN BY: M KATHIR 10/20/2020	
1-800-361-6975 (QUEBEC)		CHECKER: C BECERRIL 10/23/2020	
1-800-387-6487 (ALL OTHER PROVINCES)		DSN APRVL: S CARBONNEAU 02/05/2021	
FOR PRODUCT INFO: http://www.burndy.com		MFG APRVL: T WAWRZYNIAK 10/23/2020	
		QA APRVL: E VARGAS 10/23/2020	
		MKT APRVL: --	
PROJ FAM: HYGROUND® COMPRESSION		DRAWING NO	
PROJECT #:		SIZE	
DOCUMENT TYPE: SALES		SC206302-01	
REL LEVEL: Released		SHEET 1 OF 1	
			BURNDY
			A